

492 / 492P SPECTRUM ANALYZER

PORTABLE / BACKMOUNT
BENCHTOP
(SN 800000 & UP)

REPLACIABLE
MECHANICAL
PARTS

&

MANUAL
CHANGE
INFORMATION

REPLACEABLE MECHANICAL PARTS

PARTS ORDERING INFORMATION

Replacement parts are available from or through your local Tektronix, Inc. Field Office or representative.

Changes to Tektronix instruments are sometimes made to accommodate improved components as they become available, and to give you the benefit of the latest circuit improvements developed in our engineering department. It is therefore important, when ordering parts, to include the following information in your order: Part number, instrument type or number, serial number, and modification number if applicable.

If a part you have ordered has been replaced with a new or improved part, your local Tektronix, Inc. Field Office or representative will contact you concerning any change in part number.

Change information, if any, is located at the rear of this manual.

SPECIAL NOTES AND SYMBOLS

- X000 Part first added at this serial number
- 00X Part removed after this serial number

FIGURE AND INDEX NUMBERS

Items in this section are referenced by figure and index numbers to the illustrations.

INDENTATION SYSTEM

This mechanical parts list is indented to indicate item relationships. Following is an example of the indentation system used in the description column.

```

1 2 3 4 5           Name & Description
Assembly and/or Component
Attaching parts for Assembly and/or Component
-----
Detail Part of Assembly and/or Component
Attaching parts for Detail Part
-----
Parts of Detail Part
Attaching parts for Parts of Detail Part
-----
    
```

Attaching Parts always appear in the same indentation as the item it mounts, while the detail parts are indented to the right. Indented items are part of, and included with, the next higher indentation. The separation symbol - - - * - - - indicates the end of attaching parts.

Attaching parts must be purchased separately, unless otherwise specified.

ITEM NAME

In the Parts List, an Item Name is separated from the description by a colon (:). Because of space limitations, an Item Name may sometimes appear as incomplete. For further Item Name identification, the U.S. Federal Cataloging Handbook H6-1 can be utilized where possible.

ABBREVIATIONS

"	INCH	ELCTRN	ELECTRON	IN	INCH	SE	SINGLE END
#	NUMBER SIZE	ELEC	ELECTRICAL	INCAND	INCANDESCENT	SECT	SECTION
ACTR	ACTUATOR	ELCTLT	ELECTROLYTIC	INSUL	INSULATOR	SEMICON	SEMICONDUCTOR
ADPTR	ADAPTER	ELEM	ELEMENT	INTL	INTERNAL	SHLD	SHIELD
ALIGN	ALIGNMENT	EPL	ELECTRICAL PARTS LIST	LPHLDR	LAMPHOLDER	SHLDR	SHOULDERED
AL	ALUMINUM	EQPT	EQUIPMENT	MACH	MACHINE	SKT	SOCKET
ASSEM	ASSEMBLED	EXT	EXTERNAL	MECH	MECHANICAL	SL	SLIDE
ASSY	ASSEMBLY	FIL	FILLISTER HEAD	MTG	MOUNTING	SLFLKG	SELF-LOCKING
ATTEN	ATTENUATOR	FLEX	FLEXIBLE	NIP	NIPPLE	SLVG	SLEEVEING
AWG	AMERICAN WIRE GAGE	FLH	FLAT HEAD	NON WIRE	NOT WIRE WOUND	SPR	SPRING
BD	BOARD	FLTR	FILTER	OBD	ORDER BY DESCRIPTION	SQ	SQUARE
BRKT	BRACKET	FR	FRAME or FRONT	OD	OUTSIDE DIAMETER	SST	STAINLESS STEEL
BRS	BRASS	FSTNR	FASTENER	OVH	OVAL HEAD	STL	STEEL
BRZ	BRONZE	FT	FOOT	PH BRZ	PHOSPHOR BRONZE	SW	SWITCH
BSHG	BUSHING	FXD	FIXED	PL	PLAIN or PLATE	T	TUBE
CAB	CABINET	GSKT	GASKET	PLSTC	PLASTIC	TERM	TERMINAL
CAP	CAPACITOR	HDL	HANDLE	PN	PART NUMBER	THD	THREAD
CER	CERAMIC	HEX	HEXAGON	PNH	PAN HEAD	THK	THICK
CHAS	CHASSIS	HEX HD	HEXAGONAL HEAD	PWR	POWER	TNSN	TENSION
CKT	CIRCUIT	HEX SOC	HEXAGONAL SOCKET	RCPT	RECEPTACLE	TPG	TAPPING
COMP	COMPOSITION	HLCPS	HELICAL COMPRESSION	RES	RESISTOR	TRH	TRUSS HEAD
CONN	CONNECTOR	HLEXT	HELICAL EXTENSION	RGD	RIGID	V	VOLTAGE
COV	COVER	HV	HIGH VOLTAGE	RLF	RELIEF	VAR	VARIABLE
CPLG	COUPLING	IC	INTEGRATED CIRCUIT	RTNR	RETAINER	W/	WITH
CRT	CATHODE RAY TUBE	ID	INSIDE DIAMETER	SCH	SOCKET HEAD	WSHR	WASHER
DEG	DEGREE	IDENT	IDENTIFICATION	SCOPE	OSCILLOSCOPE	XFMR	TRANSFORMER
DWR	DRAWER	IMPLR	IMPELLER	SCR	SCREW	XSTR	TRANSISTOR

**Replaceable Mechanical Parts
492/492P Service Vol. 2 (B030000 & Up)**

CROSS INDEX—MFR. CODE NUMBER TO MANUFACTURER

Mfr. Code	Manufacturer	Address	City, State, Zip
000AH	STANDARD PRESSED STEEL CO., UNBRAKO DIV.	8535 DICE ROAD	SANTA FE SPRINGS, CA 90670
000BB	BERQUIST COMPANY	4350 WEST 78TH	MINNEAPOLIS, MN 55435
000BK	STAUFFER SUPPLY	105 SE TAYLOR	PORTLAND, OR 97214
000CY	NORTHWEST FASTENER SALES, INC.	7923 SW CIRRUSS DRIVE	BEAVERTON, OR 97005
000HC	PANEL COMPONENT CORP.	335 TESCONI CIRCLE	SANTA ROSA, CA 95401
00779	AMP, INC.	P O BOX 3608	HARRISBURG, PA 17105
01295	TEXAS INSTRUMENTS, INC., SEMICONDUCTOR GROUP	P O BOX 5012, 13500 N CENTRAL EXPRESSWAY	DALLAS, TX 75222
02615	USM CORP., NYLOCK FASTENER DIVISION	611 INDUSTRIAL AVENUE	PARAMUS, NJ 07652
05617	BELL INDUSTRIES, ELECTRONIC DISTR. DIV.	1900 132ND, NE	BELLEVUE, WA 98005
06383	PANDUIT CORPORATION	17301 RIDGELAND	TINLEY PARK, IL 60477
06540	AMATOM ELECTRONIC HARDWARE, DIV. OF MITE CORP.	446 BLAKE ST.	NEW HAVEN, CT 06515
06666	GENERAL DEVICES CO., INC.	525 S. WEBSTER AVE.	INDIANAPOLIS, IN 46219
07707	USM CORP., USM FASTENER DIV.	510 RIVER RD.	SHELTON, CT 06484
08261	SPECTRA-STRIP CORP.	7100 LAMPSON AVE.	GARDEN GROVE, CA 92642
09422	PLASTIC STAMPING CORPORATION	2216 W. ARMITAGE AVE.	CHICAGO, IL 60647
11897	PLASTIGLIDE MFG. CORPORATION	P O BOX 867, 1757 STANFORD ST.	SANTA MONICA, CA 90406
12327	FREEWAY CORPORATION	9301 ALLEN DRIVE	CLEVELAND, OH 44125
12360	ALBANY PRODUCTS CO., DIV. OF PNEUMO DYNAMICS CORPORATION	145 WOODWARD AVENUE	SOUTH NORWALK, CT 06586
13103	THERMALLOY COMPANY, INC.	2021 W VALLEY VIEW LANE P O BOX 34829	DALLAS, TX 75234
13257	AMERACE, LTD.	10 ESNA PARK DRIVE	MARKHAM, ONTARIO, CANADA
16428	BELDEN CORP.	P. O. BOX 1331	RICHMOND, IN 47374
16733	CABLEWAVE SYSTEMS INC.	60 DODGE AVE.	NORTH HAVEN, CT 60473
19505	APPLIED ENGINEERING PRODUCTS	PO BOX 6071	HAMDEN, CT 06517
22526	BERG ELECTRONICS, INC.	YOUK EXPRESSWAY	NEW CUMBERLAND, PA 17070
22599	ESNA, DIV. OF AMERACE CORPORATION	16150 STAGG STREET	VAN NUYS, CA 91409
23050	PRODUCT COMPONENTS CORP	30 LORRAINE AVE.	MT VERNON, NY 10553
24931	SPECIALTY CONNECTOR CO., INC.	2620 ENDRESS PLACE	GREENWOOD, IN 46142
26365	GRIES REPRODUCER CO., DIV. OF COATS AND CLARK, INC.	125 BEECHWOOD AVE.	NEW ROCHELLE, NY 10802
27264	MOLEX PRODUCTS CO.	5224 KATRINE AVE.	DOWNERS GROVE, IL 60515
29587	BUNKER-RAMO CORP., AMPHENOL INDUSTRIAL DIV.	1830 S. 54TH AVE. 20 RAILSIDE RD.	CHICAGO, IL 60650 DON MILLS, ONT, CANADA M3A 1
31781	EDAC INC.	1617 E EDINGER AVE.	SANTA ANA, CA 92705
32559	BIVAR, INC.	30 ROCKEFELLER PLAZA	NEW YORK, NY 10020
49671	RCA CORPORATION	5224 NE 42ND AVENUE	PORTLAND, OREGON 97218
52905	SIMPLEX MFG. COMPANY	86365 COLLEGE VIEW RD.	EUGENE, OR 97405
52961	PRODUCTS SERVICES CO.	427 OLIVE STREET	SANTA BARBARA, CA 93101
53217	TECHNICAL WIRE PRODUCTS, INC.	91 CABOT ST.	WEST BABYLON, NY 11704
56352	COLE-FLEX CORP.	BENSON EAST	JENKINTOWN, PA 19046
56878	STANDARD PRESSED STEEL COMPANY	900 SYLVAN AVENUE	BAYPORT, NY 11705
57771	STIMPSON, EDWIN B., CO. INC.	31 BURLINGTON MALL RD.	BURLINGTON, MA 01803
61864	TRW INC., UNITED-CARR DIV.	P. O. DRAWER 570	HARTFORD, CT 06101
70276	ALLEN MFG. CO.	571 W. POLK ST.	CHICAGO, IL 60607
70485	ATLANTIC INDIA RUBBER WORKS, INC.	445 CONCORD AVE.	CAMBRIDGE, MA 02138
71279	CAMBRIDGE THERMIONIC CORP.	2536 W. UNIVERSITY ST.	ST. LOUIS, MO 63107
71400	BUSSMAN MFG., DIVISION OF MCGRAW-EDISON CO.	666 E. DYER RD.	SANTA ANA, CA 92702
71468	ITT CANNON ELECTRIC	1501 MORSE AVENUE	ELK GROVE VILLAGE, IL 60007
71785	TRW, CINCH CONNECTORS	446 MORGAN ST.	CINCINNATI, OH 45206
73743	FISCHER SPECIAL MFG. CO.	34 FOREST STREET	ATTLEBORO, MA 02703
73803	TEXAS INSTRUMENTS, INC., METALLURGICAL MATERIALS DIV.	31 BROOK ST. WEST	HARTFORD, CT 06110
74445	HOLO-KROME CO.	33 E. FRANKLIN ST.	DANBURY, CT 06810
74868	BUNKER-RAMO CORP., THE AMPHENOL RF DIV.	299 10TH AVE. S. W.	WASECA, MN 56093
74970	JOHNSON, E. F., CO.	5000 TIEDEMAN ROAD	CLEVELAND, OH 44144
75497	LAMSON AND SESSIONS CO.	800 E. NORTHWEST HWY	DES PLAINES, IL 60016
75915	LITTELFUSE, INC.	S. MAIN ST.	CRYSTAL LAKE, IL 60014
76854	OAK INDUSTRIES, INC., SWITCH DIV.	ROUND HOUSE INDL PK, PO BOX 710	WATERBURY, CT 06720
77132	DOT FASTENER CO., A UNITED-CARR DIV. OF TRW INC.	5700 W. ROOSEVELT RD.	CHICAGO, IL 60650
77250	PHEOLL MANUFACTURING CO., DIVISION OF ALLIED PRODUCTS CORP.	ST. CHARLES ROAD	ELGIN, IL 60120
78189	ILLINOIS TOOL WORKS, INC. SHAKEPROOF DIVISION		

**Replaceable Mechanical Parts
492/492P Service Vol. 2 (B030000 & Up)**

CROSS INDEX—MFR. CODE NUMBER TO MANUFACTURER

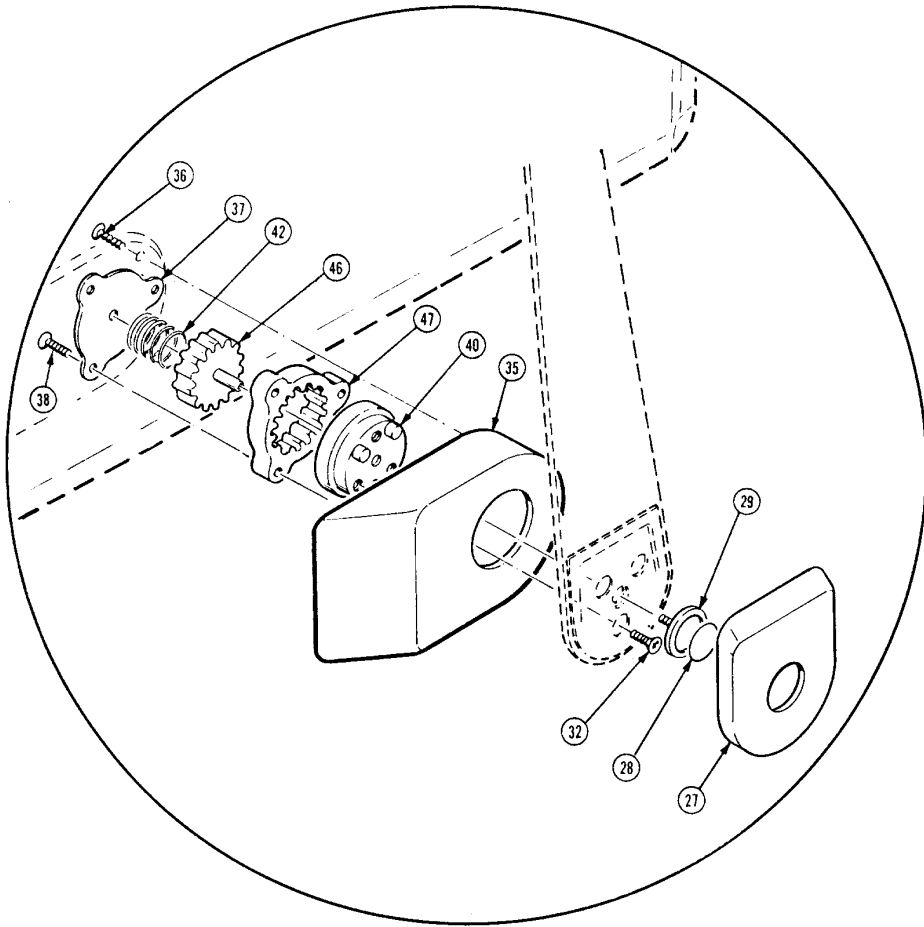
Mfr. Code	Manufacturer	Address	City, State, Zip
79136	WALDES, KOHINOOR, INC.	47-16 AUSTEL PLACE	LONG ISLAND CITY, NY 11101
79807	WROUGHT WASHER MFG. CO.	2100 S. O BAY ST.	MILWAUKEE, WI 53207
80009	TEKTRONIX, INC.	P O BOX 500	BEAVERTON, OR 97077
81041	HOWARD INDUSTRIES, DIVISION OF MSL INDUSTRIES, INC.	P O BOX 287	MILFORD, IL 60953
81312	WINCHESTER ELECTRONICS DIVISION LITTON INDUSTRIES, INC.	MAIN ST. AND HILLSIDE AVE.	OAKVILLE, CT 06779
83385	CENTRAL SCREW CO.	2530 CRESCENT DR.	BROADVIEW, IL 60153
83486	ELCO INDUSTRIES, INC.	1103 SAMUELSON ROAD	ROCKFORD, IL 61101
83553	ASSOCIATED SPRING CORP., SEABOARD DIV.	15001 S BROADWAY, P O BOX 231	GARDENA, CA 90248
85471	BOYD, A. B., CO.	2527 GRANT AVENUE	SAN LEANDRO, CA 94579
86445	PENN FIBRE AND SPECIALTY CO., INC.	2032 E. WESTMORELAND ST.	PHILADELPHIA, PA 19134
86928	SEASTROM MFG. COMPANY, INC.	701 SONORA AVENUE	GLENDALE, CA 91201
87308	N. L. INDUSTRIES, INC., SOUTHERN SCREW DIV.	P. O. BOX 1360	STATESVILLE, NC 28677
89663	REESE, J. RAMSEY, INC.	71 MURRAY STREET	NEW YORK, NY 10007
91506	AUGAT, INC.	33 PERRY AVE.	ATTLEBORO, MA 02703
91836	KINGS ELECTRONICS CO., INC.	40 MARBLEDALE ROAD	TUCKAHOE, NY 10707
93907	TEXTRON INC. CAMCAR DIV	600 18TH AVE	ROCKFORD, IL 61101
94222	SOUTHCO, INC.		LESTER, PA 19113
95238	CONTINENTAL CONNECTOR CORP.	34-63 56TH ST.	WOODSIDE, NY 11377
95987	WECKESSER CO., INC.	4444 WEST IRVING PARK RD.	CHICAGO, IL 60641
96904	NATVAR CORP.	211 RANDOLPH AVE.	WOODBIDGE, NJ 07095
98159	RUBBER TECK, INC.	19115 HAMILTON AVE., P O BOX 389	GARDENA, CA 90247
98291	SEAELECTRO CORP.	225 HOYT	MAMARONECK, NY 10544
S3109	C/O PANEL COMPONENTS CORP.	P.O. BOX 6626	SANTA ROSA, CA 95408
S3629	PANEL COMPONENTS CORP.	2015 SECOND ST.	BERKELEY, CA 94170

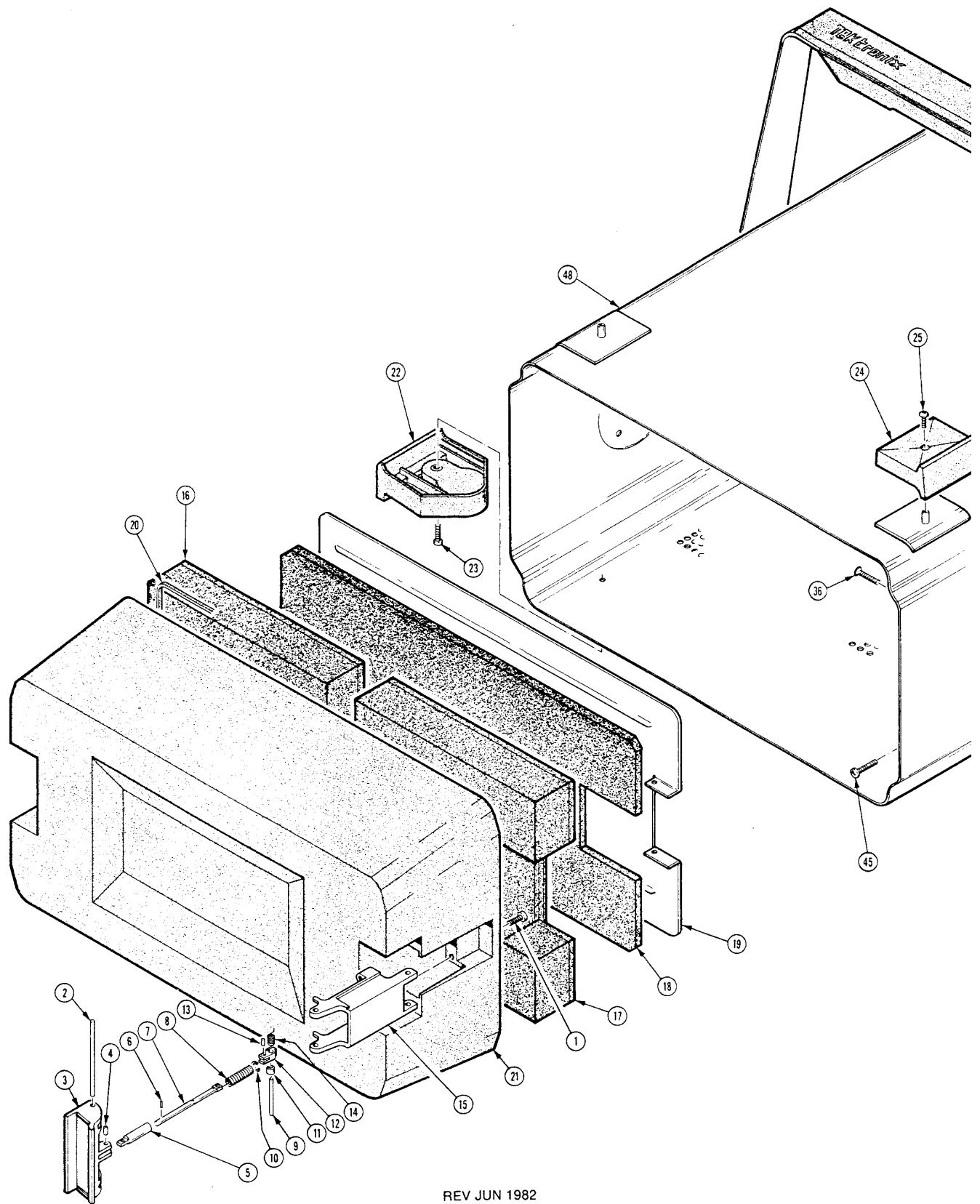
**Replaceable Mechanical Parts
492/492P Service Vol. 2 (B030000 & Up)**

Fig. & Index No.	Tektronix Part No.	Serial/Model No. Eff	Dscont	Qty	1	2	3	4	5	Name & Description	Mfr Code	Mfr Part Number
1-	650-0568-00			1						FRONT COVER AS:	80009	650-0568-00
	105-0684-01			1						.LATCH ASSEMBLY:(ATTACHING PARTS).....	80009	105-0684-01
-1	211-0507-01			4						.SCREW,MACHINE:6-32 X 0.312 INCH,PNH STL(END ATTACHING PARTS).....	83385	OBD
	-----			-						.LATCH ASSY INCLUDES:		
-2	214-2350-00			1						..PIN,STR,HDLS:0.125 DIA X 2.0 INCH LONG	000BK	OBD
-3	367-0212-01			1						..HANDLE,LATCH:MOLDING	80009	367-0212-01
-4	214-2357-00			1						..PIN,SPRING:0.375" L X 0.125 OD,STL	22599	52-028-125-0375
-5	351-0463-01			1						..GUIDE,SHAFT:STEEL	80009	351-0463-01
-6	214-1721-00			1						..PIN,SPRING:0.375 X 0.069	22599	52-012-062-0375
-7	384-1385-00			1						..EXTENSION SHAFT:2.274" L X 0.188 OD,STL	80009	384-1385-00
-8	214-2352-00			1						..SPR,HLCPS:1.0" L X 0.24" OD,MUSIC WIRE	83553	C0240-042-100M
-9	214-2349-00			1						..PIN,STR,HDLS:0.125 DIA X 1.0 IN L,STL	000BK	OBD
-10	354-0324-00			1						..RING,RTNG:E SHAPE,0.102 ID X 0.270	79136	5133-14-MD
-11	361-0762-00			1						..SPACER,SLEEVE:0.128 ID X 0.15" L,BRASS	80009	361-0762-00
-12	105-0686-00			1						.LATCH,COVER:	80009	105-0686-00
-13	214-2351-00			1						..PIN,SPRING:0.375" L X 0.101" OD,STL	22599	52-022-094-0375
-14	214-2345-00			1						..SPR,HLCL,TRSN:0.665 IN L X 0.245 OD,SST	80009	214-2345-00
-15	426-1271-02			2						..FRAME,LATCH:	80009	426-1271-02
-16	377-0506-00			1						.INSERT,COVER:ASSY,LATCH SIDE,FOAM	80009	377-0506-00
-17	377-0507-00			1						.INSERT,COVER:ASSY,HINGE SIDE,FOAM	80009	377-0507-00
-18	348-0628-00			1						.PAD,CUSHIONING:11.25 X 6.0 X 0.25,FOAM	80009	348-0628-00
-19	200-2228-00			1						.DOOR,ACCESS:FRONT COVER	80009	200-2228-00
-20	348-0524-00			1						.GASKET:FRONT PANEL,SILICONE,W/PSA	85471	OBD
-21	200-2218-01			1						.COVER,FRONT:PLASTIC,PAINTED	80009	200-2218-01
	437-0253-00	B030000	B041979	1						.CABINET,SA:	80009	437-0253-00
	437-0253-01	B041980		1						.CABINET ASSY:	80009	437-0253-01
-22	348-0585-00			4						.FOOT,CABINET:BLUE PLASTIC(ATTACHING PARTS).....	80009	348-0585-00
-23	211-0674-00			4						.SCREW,MACHINE:6-32 X 0.32 INCH,THRUS HD(END ATTACHING PARTS).....	83486	OBD
-24	348-0587-00			4						.FOOT,CABINET:BLUE PLASTIC(ATTACHING PARTS).....	80009	348-0587-00
-25	211-0674-00			4						.SCREW,MACHINE:6-32 X 0.32 INCH,THRUS HD(END ATTACHING PARTS).....	83486	OBD
-26	200-2324-00	B030000	B041979	2						.CAP HANDLE:PLASTIC	80009	200-2324-00
-27	200-2622-00	B041980		2						.CAP,HANDLE:ALUMINUM	80009	200-2622-00
-28	334-4661-00	B041980		2						.MARKER,IDENT:MKD PUSH	80009	334-4661-00
-29	214-3199-00	B041980		2						.BUTTON,RELEASE:ALUMINUM	80009	214-3199-00
-30	367-0246-02	B030000	B041979	1						.HANDLE,CARRYING:14.3 INCH	80009	367-0246-02
	367-0306-01	B041980		1						.HANDLE,CARRYING:MOLDED W/PLASTIC(ATTACHING PARTS).....	80009	367-0306-01
-31	212-0637-00	B030000	B041979	2						.SCREW,MACHINE:10-24 X 0.625 INCH,HEX HD	02615	OBD
-32	212-0560-00	B041980		6						.SCREW,MACHINE:10-32 X 0.312 INCH,FLH STL(END ATTACHING PARTS).....	75497	OBD
	-----			-						.HANDLE ASSY INCLUDES:		
-33	348-0644-00	B030000	B041979	2						..BUMPER,RUBBER:VINYL ELASTOMER,BLACK	80009	348-0644-00
-34	214-2782-00	B030000	B041979	2						.INDEX,HANDLE:	80009	214-2782-00
-35	380-0668-00	B041980		2						.HOUSING,INDEX:POLYAMIDE(ATTACHING PARTS).....	80009	380-0668-00
-36	213-0858-00			8						.SCREW,TPG,TF:6-32 X 0.5 INCH,100 DEG(END ATTACHING PARTS).....	93907	OBD
-37	200-2694-00	B041980		2						.COVER,INDEX:ALUMINUM(ATTACHING PARTS).....	80009	200-2694-00
-38	213-0918-00	B041980		6						.SCREW,TPG,TR:8-32 X 0.625,FLH,82 DEG,P0Z(END ATTACHING PARTS).....	93907	OBD
-39	214-0515-02	B030000	B041979	2						.HUB,HDL INDEX:1.42 DIA X 0.565 THK,AL CD	80009	214-0515-02
-40	214-3198-00	B041980		2						.INDEX,HANDLE:ALUMINUM	80009	214-3198-00
-41	214-3024-00	B030000	B041979	2						.SPRING,HLCPS:0.96 OD X 1.35	80009	214-3024-00
-42	214-3200-00	B041980		2						.SPRING,HLCPS:0.798 OD X 1.1 L,CLOSED END	80009	214-3200-00

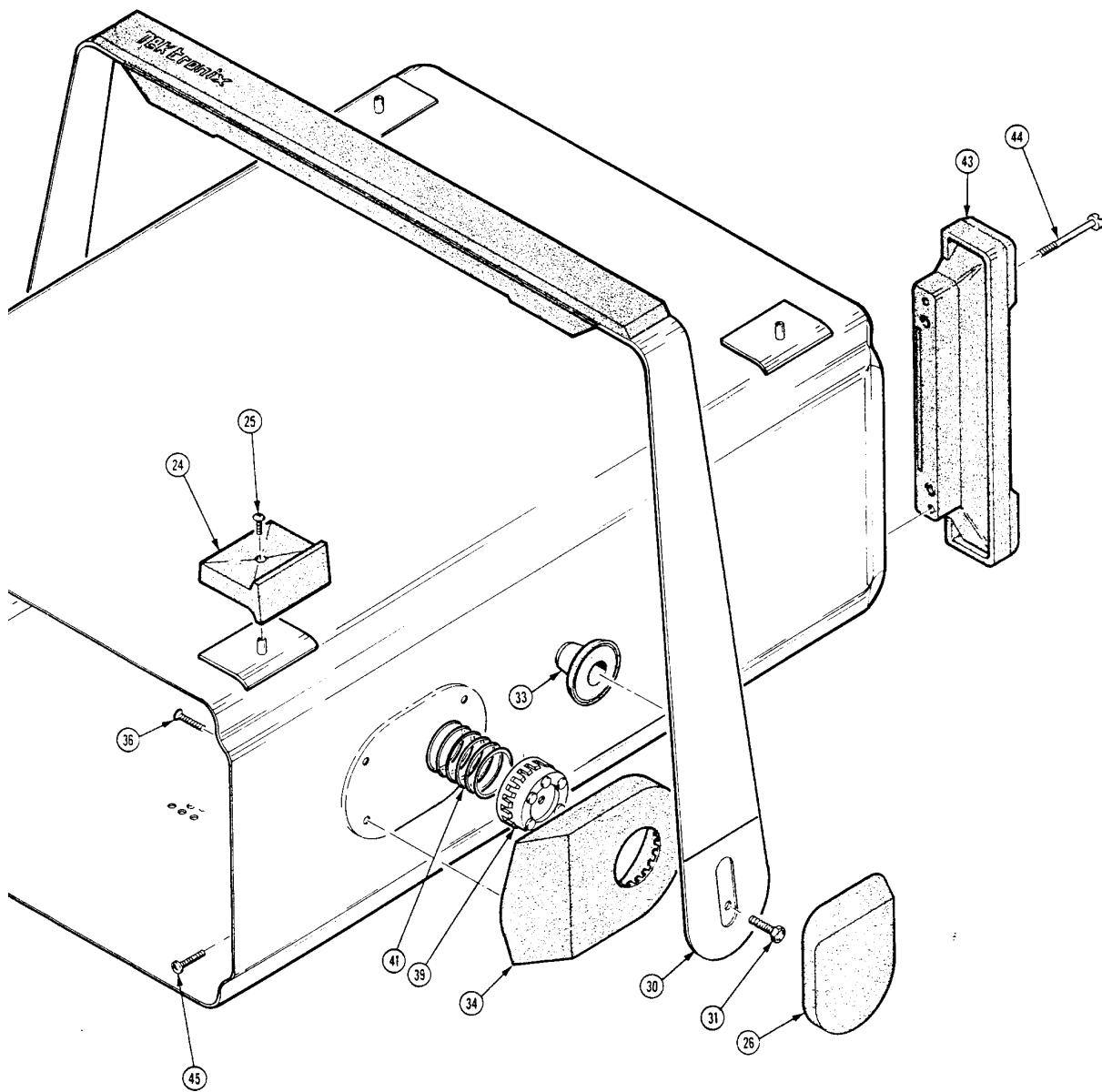
Replaceable Mechanical Parts
492/492P Service Vol. 2 (B030000 & Up)

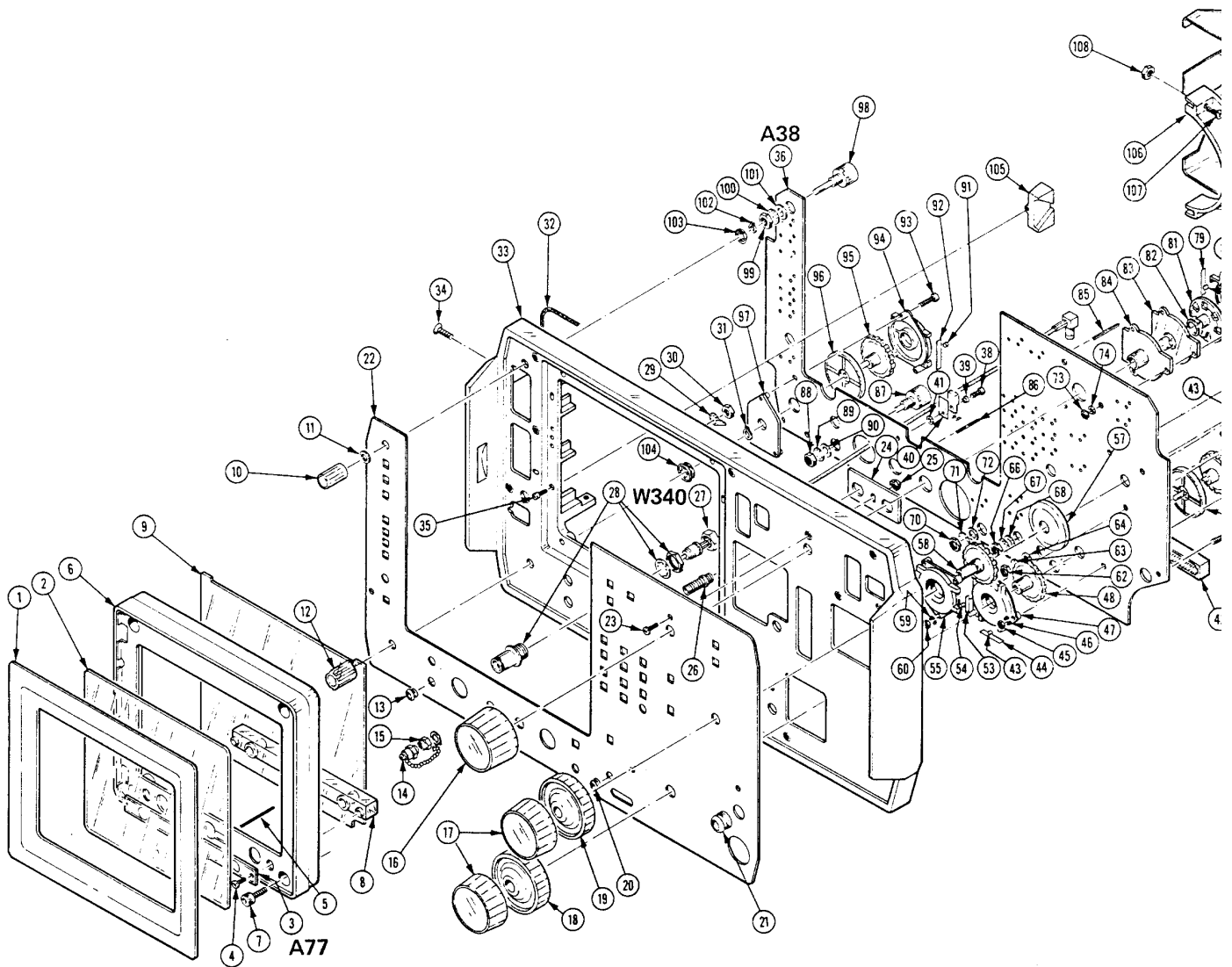
Fig. & Index No.	Tektronix Part No.	Serial/Model No.		Qty	1 2 3 4 5	Name & Description	Mfr	
		Eff	Dscont				Code	Mfr Part Number
1-43	348-0589-00			2		.FOOT,CABINET:BLUE PLASTIC(ATTACHING PARTS).....	80009	348-0589-00
-44	212-0630-01			4		.SCRW,SPCL MACH:10-24 X 1.55 L,FLH 45 DEG	80009	212-0630-01
-45	211-0513-00			4		.SCREW,MACHINE:6-32 X 0.625 INCH,PNH STL(END ATTACHING PARTS).....	83385	OBD
-46	105-0893-00	B041980		2		.INDEX RLSE,HDL:ALUMINUM	80009	105-0893-00
-47	105-0894-00	B041980		2		.INDEX STOP,HDL:POLYAMIDE	80009	105-0894-00
-48	437-0232-01	B030000	B041789	1		.CABINET,SA:	80009	437-0232-01
	437-0232-02	B041790	B042779	1		.CABINET,SA:	80009	437-0232-02
	437-0232-03	B042780		1		.CABINET,SA:	80009	437-0232-03

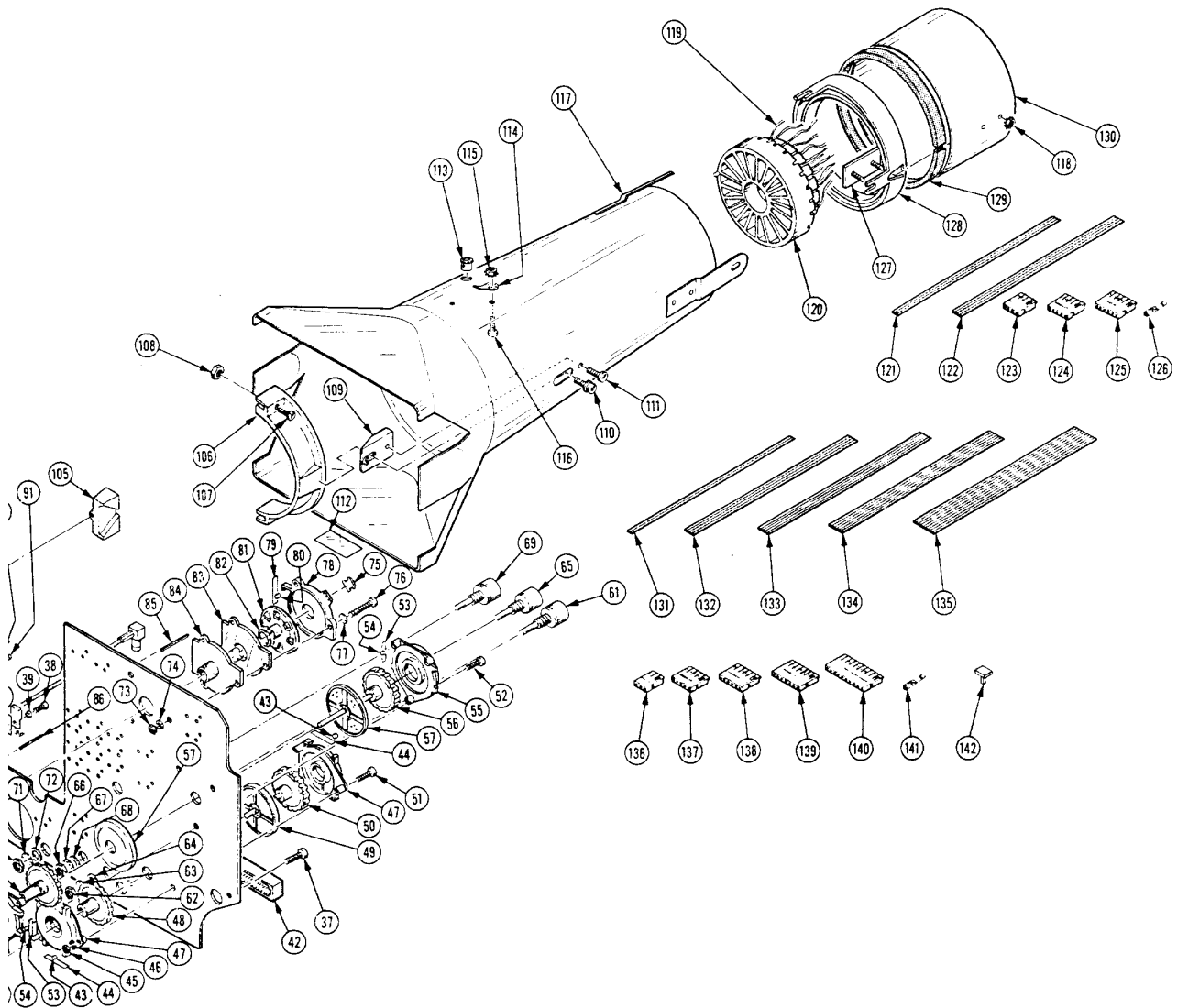




REV JUN 1982







REV JUN 1982

Replaceable Mechanical Parts
492/492P Service Vol. 2 (B030000 & Up)

Fig. & Index No.	Tektronix Part No.	Serial/Model No. Eff	Dscont	Qty	1	2	3	4	5	Name & Description	Mfr Code	Mfr Part Number
2-1	426-1523-02			1						FRAME,MASK:5.0 CRT,SILVER GRAY,PLASTIC	80009	426-1523-02
-2	378-0115-00			1						FILTER,LT,CRT:BLUE,4.176 X 3.418,PLSTC	80009	378-0115-00
-3	-----			1						CKT BOARD ASSY:CRT GRATICULE LIGHT		
	-----			-						(SEE A77 REPL)		
-4	213-0772-00			2						SCREW,TPG,TF:2.56 X 0.5,PLASTITE,PNH,STL	93907	OBD
	-----			-						CKT BOARD ASSY INCLUDES:		
-5	131-0592-00			2						.CONTACT,ELEC:0.885 INCH LONG	22526	47353
-6	200-2216-01			1						RTNR,CRT SCALE:5.0 CRT	80009	200-2216-01
	-----			-						(ATTACHING PARTS)		
-7	212-0128-00			4						SCREW,CAP,SCH:8.32 X 0.50 INCH STL	70276	OBD
	-----			-						(END ATTACHING PARTS)		
-8	378-0877-00			1						REFLECTOR,LIGHT:PLASTIC	80009	378-0877-00
-9	337-2577-00			1						SHLD,IMPLOSION:CLEAR,4.0 CRT,PLASTIC	80009	337-2577-00
-10	366-1786-01			3						SHELL,KNOB:0.375 OD X 0.55 H,ABS	80009	366-1786-01
-11	210-1160-00			6						.WASHER,FLAT:0.129 ID X 0.031 THK,TEFLON	86928	5612-32-31
	213-0140-00			6						.SETSCREW:2.56 X 0.94 INCH,HEX SOC ST	70276	OBD
-12	366-1781-00			1						SHELL,KNOB:0.587 OD X 0.625 H,PLASTIC	80009	366-1781-00
	213-0140-00			2						.SETSCREW:2.56 X 0.94 INCH,HEX SOC ST	70276	OBD
-13	358-0301-01			1						BUSHING,SLEEVE:GRAY,MOLDED	80009	358-0301-01
-14	-----			2						TERMN,COAXIAL:(SEE P110,P112 REPL)		
	-----			-						(ATTACHING PARTS)		
-15	220-0531-02			2						NUT,PLAIN,HEX:0.25-36 X 0.312 INCH,STL	80009	220-0531-02
	-----			-						(END ATTACHING PARTS)		
-16	366-1782-00			1						SHELL,KNOB:1.125 OD X 0.65 H,ABS	80009	366-1782-00
	213-0243-00			2						.SETSCREW:5.40 X 0.25 INCH,HEX SOC ST	70276	OBD
-17	366-1780-00			2						SHELL,KNOB:1.375 OD X 0.375 H,PLASTIC	80009	366-1780-00
	213-0243-00			4						.SETSCREW:5.40 X 0.25 INCH,HEX SOC ST	70276	OBD
-18	366-1779-01			1						SHELL,KNOB:1.1 OD X 0.5 H,PLASTIC	80009	366-1779-01
	213-0153-00			1						SETSCREW:5.40 X 0.125,STL BK OXD,HEX	000CY	OBD
-19	366-1779-00			1						SHELL,KNOB:1.1 OD X 0.5 H,PLASTIC	80009	366-1779-00
	213-0153-00			1						.SETSCREW:5.40 X 0.125,STL BK OXD,HEX	000CY	OBD
-20	358-0301-02			2						BUSHING,SLEEVE:GRAY PLASTIC	80009	358-0301-02
-21	358-0216-00			1						BUSHING,PLASTIC:0.257 ID X 0.412 INCH OD	80009	358-0216-00
-22	333-2453-00	B030000	B042399	1						PANEL,FRONT:	80009	333-2453-00
	333-2453-37	B042400		1						PANEL,FRONT:	80009	333-2453-37
	-----			-						(ATTACHING PARTS)		
-23	211-0087-01			1						SCREW,MACHINE:2.56 X 0.188,FLH 82 DEG,STL	83385	OBD
	-----			-						(END ATTACHING PARTS)		
-24	386-3969-00			1						PLATE,CONN MTG:ANTI ROTATION	80009	386-3969-00
	-----			-						(ATTACHING PARTS)		
-25	210-0589-00			1						NUT,SELF LKG HE:4.40 X 0.250 INCH	13257	22 NM-40
	-----			-						(END ATTACHING PARTS)		
-26	131-2343-00			2						CONN,RCPT,ELEC:SMA,DOUBLE FEMALE	16733	705628-014
-27	-----			1						CABLE ASSY,RF:(SEE W340 REPL)		
-28	131-0818-00			1						CONNECTOR,RCPT,;BNC,FEMALE	91836	KC-19-153
-29	210-0201-00			1						TERMINAL,LUG:0.12 ID,LOCKING,BRZ TIN PL	86928	OBD
	-----			-						(ATTACHING PARTS)		
-30	210-0586-00			1						NUT,PL,ASSEM WA:4.40 X 0.25,STL	83385	OBD
	-----			-						(END ATTACHING PARTS)		
-31	354-0177-00			3						RING,RETAINING:FOR 0.250 INCH DIA SHAFT	79136	5100-25MF
-32	337-0925-04			1						SHLD GSKT,ELEK:37.0 INCH LONG	80009	337-0925-04
-33	386-3845-05			1						SUBPANEL,FRONT:	80009	386-3845-01
	-----			-						(ATTACHING PARTS)		
-34	212-0642-00			4						SCREW,MACHINE:10-32 X 0.375",100 DEG,FLH	93907	OBD
-35	211-0576-00			4						SCREW,CAP:6-32 X 0.875,SCH,STL,CD PL	56878	OBD
	-----			-						(END ATTACHING PARTS)		
-36	-----			1						CKT BOARD ASSY:FRONT PANEL(SEE A38 REPL)		
	-----			-						(ATTACHING PARTS)		
-37	211-0121-00			11						SCR,ASSEM WSHR:4.40 X 0.438 INCH,PNH BRS	83385	OBD
-38	211-0008-01			1						SCREW,MACHINE:4.40 X 0.250,PNH,STL,CD PL	83385	OBD
-39	210-1178-00			1						WASHER,SHLDR:U/W T0-220 TRANSISTOR	49671	DF137A
-40	342-0163-00			1						INSULATOR,PLT:XSTR,0.675 X 0.625 X 0.001"	80009	342-0163-00
-41	210-0851-00			1						WASHER,FLAT:0.119 ID X 0.375 INCH OD,ST	12327	OBD
	-----			-						(END ATTACHING PARTS)		

Replaceable Mechanical Parts
492/492P Service Vol. 2 (B030000 & Up)

Fig. & Index No.	Tektronix Part No.	Serial/Model No. Eff	Dscont	Qty	1	2	3	4	5	Name & Description	Mfr Code	Mfr Part Number
2-	-----			-						CKT BOARD ASSY INCLUDES:		
-42	131-1229-00			1						.CONNECTOR,RCPT:22/44 CONTACT	95238	600-120-5Y25A
	-----			-						.SW ROTARY ASSY:(SEE A38S6035 REPL)		
-43	214-1127-00			4						.ROLLER,DETENT:0.125 DIA X 0.125,SST	80009	214-1127-00
-44	214-1126-01			4						.SPRING,FLAT:0.7 X 0.125,CU BE GRN CLR	80009	214-1126-01
-45	210-0405-00			3						.NUT,PLAIN,HEX.:2-56 X 0.188 INCH,BRS	73743	12157-50
-46	210-0053-00			3						.WSHR,LOCK:INTL,0.092 ID X 0.175*OD,STL	83385	OBD
-47	401-0340-01			2						.BEARING,RTRY SW:FRONT,0.375 DIA	80009	401-0340-01
-48	384-1462-04			1						.SHAFT,ROTARY SW:W/DETENT,18/7 POSN	80009	384-1462-04
-49	352-0457-21			1						.HOLDER,CONTACT:PANCAKE SW,4 CONTACT	80009	352-0457-21
	352-0457-25			1						.HOLDER,CONTACT:1 CONTACT,GRAY PLASTIC	80009	352-0457-25
-50	384-1462-01			1						.SHAFT,ROTARY SW:W/DETENT,24 POSN	80009	384-1462-01
-51	211-0034-00			3						.SCREW,MACHINE:2-56 X 0.50 INCH,PNH	83385	OBD
	-----			1						.SW ROTARY ASSY:(SEE A38S3020 REPL)		
-52	211-0034-00			3						.SCREW,MACHINE:2-56 X 0.50 INCH,PNH	83385	OBD
-53	214-1126-01			4						.SPRING,FLAT:0.7 X 0.125,CU BE GRN CLR	80009	214-1126-01
-54	214-1127-00			4						.ROLLER,DETENT:0.125 DIA X 0.125,SST	80009	214-1127-00
-55	401-0340-01			2						.BEARING,RTRY SW:FRONT,0.375 DIA	80009	401-0340-01
-56	384-1463-01			1						.EXTENSION SHAFT:W/DETENT,7 POSN,16 STOP	80009	384-1463-01
-57	352-0457-21			2						.HOLDER,CONTACT:PANCAKE SW,4 CONTACT	80009	352-0457-21
-58	384-1462-01			1						.SHAFT,ROTARY SW:W/DETENT,24 POSN	80009	384-1462-01
-59	210-0053-00			3						.WSHR,LOCK:INTL,0.092 ID X 0.175*OD,STL	83385	OBD
-60	210-0405-00			3						.NUT,PLAIN,HEX.:2-56 X 0.188 INCH,BRS	73743	12157-50
-61	-----			1						.RESISTOR,VAR:(SEE A38R6049 REPL)		
									(ATTACHING PARTS).....		
-62	210-0583-00			1						.NUT,PLAIN,HEX:0.25-32 X 0.312 INCH,BRS	73743	2X20317-402
-63	210-0046-00			1						.WASHER,LOCK:0.261 ID,INTL,0.018 THK,BRS	78189	1214-05-00-0541C
-64	210-0940-00			1						.WASHER,FLAT:0.25 ID X 0.375 INCH OD,STL	79807	OBD
									(END ATTACHING PARTS).....		
-65	-----			1						.RESISTOR,VAR:(SEE A38R6051 REPL)		
									(ATTACHING PARTS).....		
-66	210-0583-00			1						.NUT,PLAIN,HEX:0.25-32 X 0.312 INCH,BRS	73743	2X20317-402
-67	210-0046-00			1						.WASHER,LOCK:0.261 ID,INTL,0.018 THK,BRS	78189	1214-05-00-0541C
-68	210-0940-00			1						.WASHER,FLAT:0.25 ID X 0.375 INCH OD,STL	79807	OBD
									(END ATTACHING PARTS).....		
-69	-----			1						.RESISTOR,VAR:(SEE A38R6062 REPL)		
									(ATTACHING PARTS).....		
-70	210-0583-00			1						.NUT,PLAIN,HEX:0.25-32 X 0.312 INCH,BRS	73743	2X20317-402
-71	210-0046-00			1						.WASHER,LOCK:0.261 ID,INTL,0.018 THK,BRS	78189	1214-05-00-0541C
-72	210-0940-00			1						.WASHER,FLAT:0.25 ID X 0.375 INCH OD,STL	79807	OBD
									(END ATTACHING PARTS).....		
				1						.SWITCH,ROTARY:(SEE A38S2035 REPL)		
									(ATTACHING PARTS).....		
-73	210-0406-00			3						.NUT,PLAIN,HEX.:4-40 X 0.188 INCH,BRS	73743	12161-50
-74	210-1002-00			3						.WASHER,FLAT:0.125 ID X 0.25 INCH OD,BRS	12327	OBD
	361-1178-00	B042640		4						.SPACER,SLEEVE:0.175 X 0.167 OD,NYLON	32559	907-.105
									(END ATTACHING PARTS).....		
-75	343-0707-00			1						.RETAINER,SPRING:	80009	343-0707-00
-76	211-0016-00			3						.SCREW,MACHINE:4-40 X 0.625 INCH,PNH STL	83385	OBD
-77	210-0004-00			3						.WASHER,LOCK:#4 INTL,0.015 THK,STL CD PL	000BK	OBD
-78	380-0504-00			1						.HOUSING,SWITCH:POLYCARBONATE	80009	380-0504-00
-79	214-1126-01			1						.SPRING,FLAT:0.7 X 0.125,CU BE GRN CLR	80009	214-1126-01
-80	214-3197-00			1						.BUTTON,FRICTION:ACETAL NATURAL	80009	214-3197-00
-81	384-1522-01			1						.SHAFT,RTRY:0.248 OD X 1.374 L,W/DETENT	80009	384-1522-01
-82	210-0992-00			1						.WASHER,FLAT:0.265 ID X 0.01 THK,TEFLON	80009	210-0992-00
-83	351-0528-00			1						.GUIDE,LIGHT:	80009	351-0528-00
-84	401-0418-00			1						.BEARING,RTRY,SW:FRONT,0.254 ID	80009	401-0418-00
-85	131-0590-00			4						.CONTACT,ELEC:0.71 INCH LONG	22526	47351
-86	131-0589-00			2						.TERMINAL,PIN:0.46 L X 0.025 SQ	22526	48283-029
-87	-----			2						.RESISTOR,VAR:		
	-----			-						(SEE A38R6104,A38R6106 REPL)		
									(ATTACHING PARTS).....		
-88	210-0583-00			1						.NUT,PLAIN,HEX:0.25-32 X 0.312 INCH,BRS	73743	2X20317-402
-89	210-0046-00			1						.WASHER,LOCK:0.261 ID,INTL,0.018 THK,BRS	78189	1214-05-00-0541C
-90	210-0940-00			1						.WASHER,FLAT:0.25 ID X 0.375 INCH OD,STL	79807	OBD
									(END ATTACHING PARTS).....		

Replaceable Mechanical Parts
492/492P Service Vol. 2 (B030000 & Up)

Fig. & Index No.	Tektronix Part No.	Serial/Model No. Eff Dscnt	Qty	1 2 3 4 5	Name & Description	Mfr Code	Mfr Part Number
2-	-----		1		.SW ROTARY ASSY:(SEE A38S6118 REPL)		
-91	214-1127-00		2		..ROLLER,DETENT:0.125 DIA X 0.125,SST	80009	214-1127-00
-92	214-1126-01		2		..SPRING,FLAT:0.7 X 0.125,CU BE GRN CLR	80009	214-1126-01
-93	213-0759-00		3		..SCR,TPG,THD FOR:2-28 X 0.437 IN,PNH,STL	93907	OBD
-94	401-0340-01		1		..BEARING,RTRY SW:FRONT,0.375 DIA	80009	401-0340-01
-95	384-1492-01		1		..SHAFT,ROTARY SW:W/DETENT,28 POSN	80009	384-1492-01
-96	352-0457-22		1		..HOLDER,CONTACT:PANCAKE SW,2 CONTACT	80009	352-0457-22
-97	401-0341-01		1		..BEARING,RTRY SW:REAR,0.252 ID	80009	401-0341-01
-98	-----		3		.RESISTOR,VAR:(SEE A38R1121,A38R4043 AND A38R4121 REPL)		
			-	(ATTACHING PARTS).....		
-97	210-0583-00		3		.NUT,PLAIN,HEX:0.25-32 X 0.312 INCH,BRS	73743	2X20317-402
-100	210-0046-00		3		.WASHER,LOCK:0.261 ID,INTL,0.018 THK,BRS	78189	1214-05-00-0541C
-101	210-0940-00		3		.WASHER,FLAT:0.25 ID X 0.375 INCH OD,STL	79807	OBD
				(END ATTACHING PARTS).....		
-102	354-0392-00		7		RING,RETAINING:	79136	5555-12MD
-103	214-2616-00		8		CONTACT,ELEC:GROUNDING CU BE	80009	214-2616-00
-104	214-2617-00		3		SPRING,GROUND:0.248 ID,COPPER BERYLLIUM	80009	214-2617-00
-105	343-0760-00		4		CLAMP,CRT:PLASTIC	80009	343-0760-00
-106	343-0811-00		2		CLAMP,CRT:ABS	80009	343-0811-00
				(ATTACHING PARTS).....		
-107	211-0020-00		4		SCREW,MACHINE:4-40 X 1.125 INCH,PNH STL	83385	OBD
-108	210-0586-00		4		NUT,PL,ASSEM WA:4-40 X 0.25,STL	83385	OBD
				(END ATTACHING PARTS).....		
-109	361-0920-00		2		SPACER,CRT SHLD:	80009	361-0920-00
				(ATTACHING PARTS).....		
-110	211-0116-00		2		SCR,ASSEM WSHR:4-40 X 0.312 INCH,PNH BRS	83385	OBD
-111	213-0034-00		2		SCR,TPG,THD CTG:4-40 X 0.188 INCH,PNH STL	83385	OBD
				(END ATTACHING PARTS).....		
-112	334-3689-00		1		MARKER,IDENT:J770	80009	334-3689-00
-113	348-0003-00		1		GROMMET,RUBBER:0.312 INCH DIAMETER	70485	1411B6040
-114	210-0201-00		1		TERMINAL,LUG:0.12 ID,LOCKING,BRZ TIN PL	86928	OBD
				(ATTACHING PARTS).....		
-115	210-0586-00		1		NUT,PL,ASSEM WA:4-40 X 0.25,STL	83385	OBD
-116	211-0008-01		1		SCREW,MACHINE:4-40 X 0.250,PNH,STL,CD PL	83385	OBD
				(END ATTACHING PARTS).....		
-117	337-2623-00		1		SHIELD,CRT:FRONT	80009	337-2623-00
				(ATTACHING PARTS).....		
-118	210-0586-00		6		NUT,PL,ASSEM WA:4-40 X 0.25,STL	83385	OBD
				(END ATTACHING PARTS).....		
-119	136-0717-00		1		SKT,PL-IN ELEC:ELECTRON TUBE,W/LEADS	80009	136-0717-00
-120	136-0358-01		1		.SKT,PL-IN ELEC:ELECTRON TUBE,20 CONTACT	80009	136-0358-01
-121	175-0826-00		FT		.WIRE,ELECTRICAL:3 WIRE RIBBON	80009	175-0826-00
-122	175-0827-00		FT		.CABLE,SP,ELEC:4,26 AWG,STRD,PVC JKT,RBN	08261	SS04267(1061)0C
-123	352-0162-00		1		.HLDR,TERM CONN:4 WIRE BLACK	80009	352-0162-00
	352-0162-03		1		.CONN BODY,PL,EL:4 WIRE ORANGE	80009	352-0162-03
-124	352-0163-00		1		.CONN BODY,PL,EL:5 WIRE BLACK	80009	352-0163-00
-125	352-0164-00		2		.CONN BODY,PL,EL:6 WIRE BLACK	80009	352-0164-00
-126	131-0707-00		13		.CONNECTOR,TERM:22-26 AWG,BRS & CU BE GLD	22526	47439
-127	386-4165-00		3		PLATE,MOUNTING:CRT	80009	386-4165-00
-128	361-0921-00		1		SPACER,CRT SHLD:	80009	361-0921-00
-129	252-0571-00		FT		NEOPRENE EXTR:CHAN,0.234 X 0.156	85471	DIE# 1353
-130	337-2622-00		1		SHIELD,CRT:REAR	80009	337-2622-00
	198-4208-00		1		WIRE SET,ELEC:	80009	198-4208-00
-131	175-0825-00		FT		.WIRE,ELECTRICAL:2 WIRE RIBBON	80009	175-0825-00
-132	175-0827-00		FT		.CABLE,SP,ELEC:4,26 AWG,STRD,PVC JKT,RBN	08261	SS04267(1061)0C
-133	175-0828-00		FT		.WIRE,ELECTRICAL:5 WIRE RIBBON	08261	SS-0526-710610C
-134	175-0829-00		FT		.WIRE,ELECTRICAL:6 WIRE RIBBON	08261	SS-0626-710610C
-135	175-0832-00		FT		.WIRE,ELECTRICAL:9 WIRE RIBBON	08261	SS-0926(1061)0C
-136	352-0161-00		2		.HLDR,TERM CONN:3 WIRE,BLACK	80009	352-0161-00
-137	352-0163-00		1		.CONN BODY,PL,EL:5 WIRE BLACK	80009	352-0163-00
-138	352-0164-00		2		.CONN BODY,PL,EL:6 WIRE BLACK	80009	352-0164-00
-139	352-0165-00		2		.CONN BODY,PL,EL:7 WIRE BLACK	80009	352-0165-00
-140	352-0168-00		2		.CONN BODY,PL,EL:10 WIRE BLACK	80009	352-0168-00
-141	131-0707-00		38		.CONNECTOR,TERM:22-26 AWG,BRS & CU BE GLD	22526	47439
-142	134-0153-00		6		.KEY,PLZN CONN:MINI LATCH HSG	80009	134-0153-00

Replaceable Mechanical Parts
492/492P Service Vol. 2 (B030000 & Up)

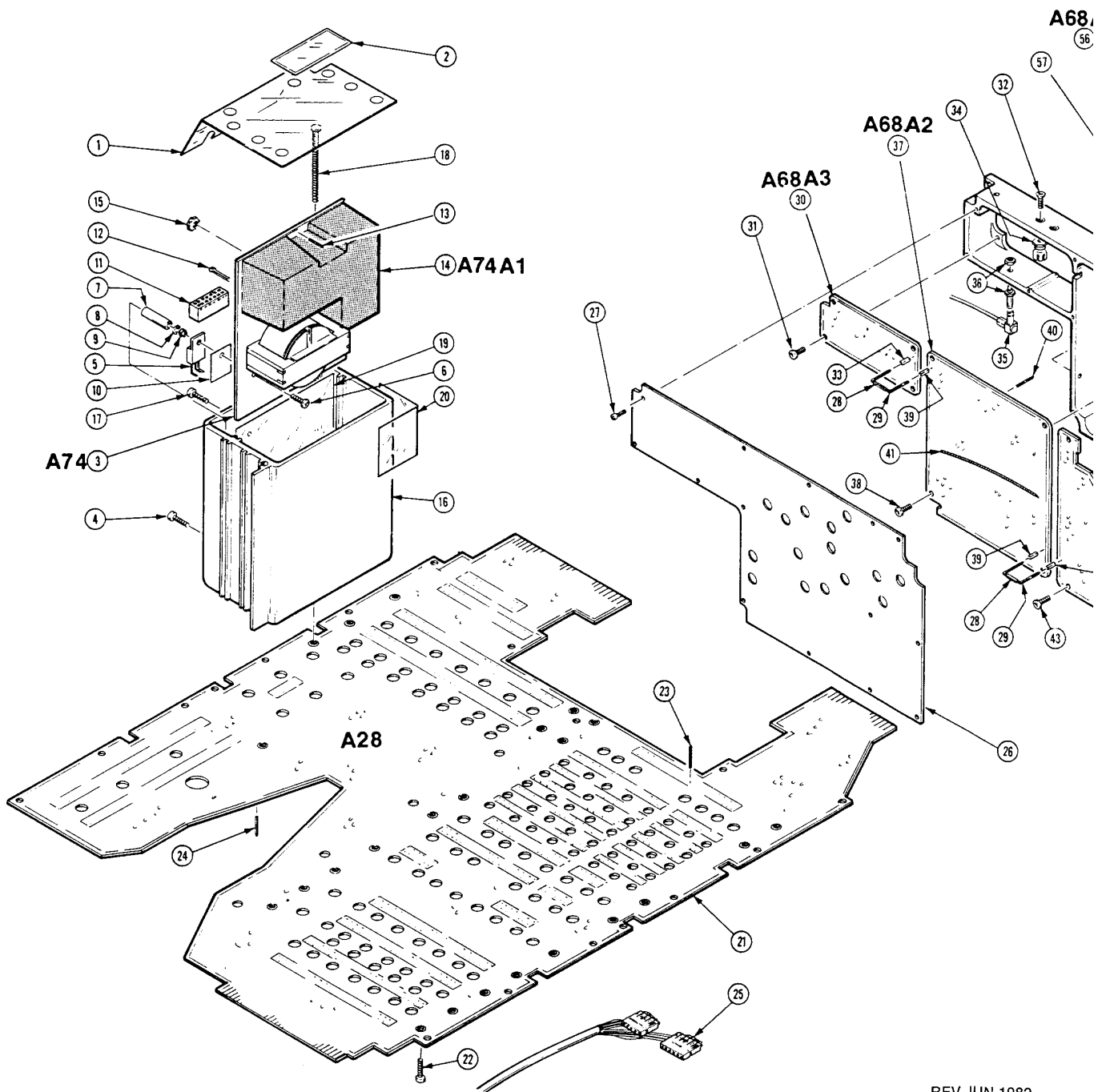
Fig. & Index No.	Tektronix Part No.	Serial/Model No.		Qty	1 2 3 4 5					Name & Description	Mfr Code	Mfr Part Number
		Eff	Dscont									
3-1	200-2220-00			1						GUARD,CKT BD:	80009	200-2220-00
-2	334-2257-01			1						.MARKER,IDENT:CAUTION	80009	334-2257-01
-3	-----			1						CKT BOARD ASSY:HIGH VOLTAGE(SEE A74 REPL)(ATTACHING PARTS).....		
-4	211-0097-00			1						SCREW,MACHINE:4.40 X 0.312 INCH,PNH STL(END ATTACHING PARTS).....	83385	OBD
-5	-----			-						CKT BOARD ASSY INCLUDES:		
-5	-----			1						.TRANSISTOR:(SEE A74Q1073 REPL)(ATTACHING PARTS).....		
-6	211-0012-01			1						.SCREW,MACHINE:4.40 X 0.375,PNH STL CD PL	83385	OBD
-7	384-0531-00			1						.ROD,SPACER:0.25 OD X 0.656 INCH LONG	80009	384-0531-00
-8	210-0054-00			1						.WSHR,LOCK:SPLIT,0.118 ID X 0.212"OD STL	83385	OBD
-9	210-1171-00			1						.WSHR,SHOULDERED:0.116 ID X 0.138 INCH OD(END ATTACHING PARTS).....	52905	A7148516P2
-10	342-0354-00			1						.INSULATOR,PLATE:TRAN,SILICON RUBBER	000BB	7403-10-52
-11	131-2196-00			1						.CONN,RCPT,ELEC:CKT BD,6/12,FEMALE	22526	650002-076
-12	214-0579-00			1						.TERM,TEST POINT:BRS CD PL	80009	214-0579-00
-13	131-0608-00			5						.TERMINAL,PIN:0.365 L X 0.025 PH BRZ GOLD	22526	47357
-13	131-0993-00	B040220		1						.BUS,CONDUCTOR:2 WIRE BLACK	00779	850100-01
-14	-----			1						.CKT BOARD ASSY:HIGH VOLTAGE (SEE A74A1 REPL)(ATTACHING PARTS).....		
-15	210-0586-00	B030000	B040219	2						.NUT,PL,ASSEM WA:4.40 X 0.25,STL	83385	OBD
-15	210-0406-00	B040220		2						.NUT,PLAIN,HEX.:4.40 X 0.188 INCH,BRS(END ATTACHING PARTS).....	73743	12161-50
-16	210-0054-00	B040220		2						.WSHR,LOCK:SPLIT,0.118 ID X 0.212"OD STL	83385	OBD
-16	337-2556-01			1						SHIELD,ELEC:HIGH VOLTAGE(ATTACHING PARTS).....	80009	337-2556-01
-17	211-0507-00			1						SCREW,MACHINE:6.32 X 0.312 INCH,PNH STL	83385	OBD
-18	211-0666-00			2						SCREW,MACHINE:6.32 X 4.25 INCH,PNH STL(END ATTACHING PARTS).....	80009	211-0666-00
-19	342-0507-00			1						HIGH VOLTAGE SHIELD ASSY INCLUDES:		
-19	342-0507-00			1						.INSULATOR,PLATE:HIGH VOLTAGE	80009	342-0507-00
-20	342-0094-00			1						.INSULATOR,PLATE:1.25 X 2.25 INCH L,PLSTC	80009	342-0094-00
-21	-----			1						CKT BOARD ASSY:MAIN MOTHER(SEE A28 REPL)(ATTACHING PARTS).....		
-22	211-0601-00			14						SCR,ASSEM WSHR:6.32 X 0.312,DOUBLE SEMS(END ATTACHING PARTS).....	83385	OBD
-23	131-0608-00			75						CKT BOARD ASSY INCLUDES:		
-23	131-0589-00			988						.TERMINAL,PIN:0.365 L X 0.025 PH BRZ GOLD	22526	47357
-24	198-4398-00			1						.TERMINAL,PIN:0.46 L X 0.025 SQ	22526	48283-029
-25	352-0163-00			1						.WIRE SET,ELEC:	80009	198-4398-00
-25	352-0164-00			1						..CONN BODY,PL,EL:5 WIRE BLACK	80009	352-0163-00
-25	352-0164-00			1						..CONN BODY,PL,EL:6 WIRE BLACK	80009	352-0164-00
-25	644-0163-04	B030000	B042199	1						VAR RESOLN MDL:	80009	644-0163-04
-25	644-0163-06	B042200		1						VAR RESOLN MDL:	80009	644-0163-06
-25	644-0163-05	B030000	B042199	1						VAR RESOLN MDL:	80009	644-0163-05
-25	644-0163-07	B042200		1						(OPTION 03 ONLY) VAR RESOLN MDL:	80009	644-0163-07
-25	644-0163-07	B042200		1						(OPTION 03 ONLY)		
-26	200-2205-01			1						.COVER,ELEC SHLD:VR2 CIRCUIT BOARD(ATTACHING PARTS).....	80009	200-2205-01
27	211-0162-01			17						.SCREW,MACHINE:2.56 X 0.188 INCH,SCH,SST(END ATTACHING PARTS).....	000AH	OBD
28	342-0478-00			2						.INSULATOR,TERM:0.5 INCH LONG,PLASTIC	80009	342-0478-00
-29	131-2364-00			2						.TERM,FEED THRU:U-SHAPE,0.462 X 0.525	80009	131-2364-00
-30	-----			1						.CKT BOARD ASSY:BAND LEVELING (SEE A68A3 REPL)(ATTACHING PARTS).....		
-31	211-0007-01			4						.SCREW,MACHINE:4.40 X 0.188 INCH,PNH STL	83385	OBD
-32	211-0101-01			2						.SCREW,MACH:4.40 X 0.25,100 DEG,FLH STL(END ATTACHING PARTS).....	83385	OBD
-33	136-0263-04			5						CKT BOARD ASSY INCLUDES:		
-34	214-2569-00			2						.SOCKET,PIN TERM:FOR 0.025 INCH SQ PIN	22526	75377-001
-35	-----			1						.HEAT SINK,XSTR:(1) TO-5,BE-CU	80009	214-2569-00
-35	-----			1						.CABLE ASSY,RF:(SEE W692 REPL)		

Replaceable Mechanical Parts
492/492P Service Vol. 2 (B030000 & Up)

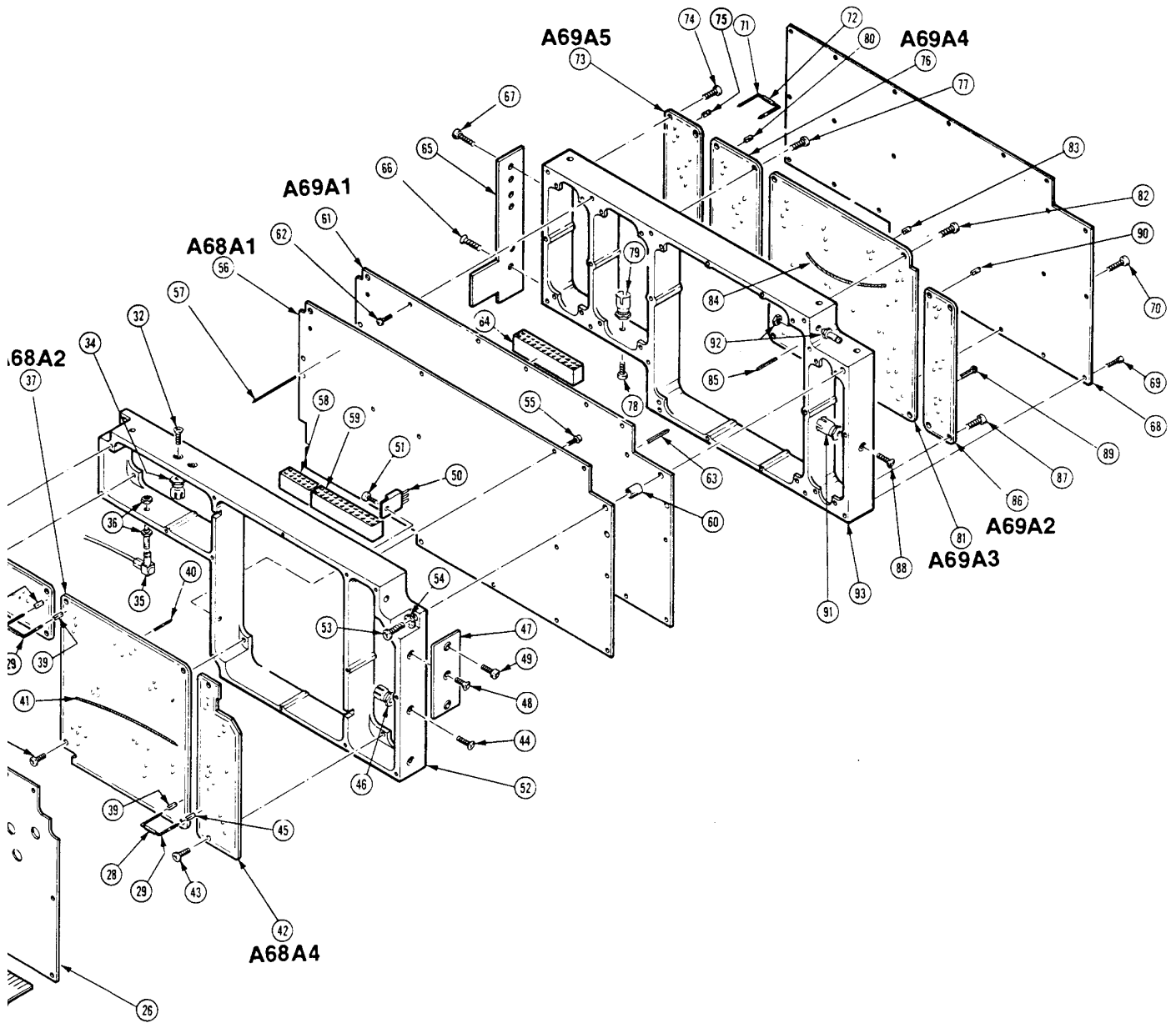
Fig. & Index No.	Tektronix Part No.	Serial/Model No. Eff	Dscont	Qty	1	2	3	4	5	Name & Description	Mfr Code	Mfr Part Number
3-36	131-0372-00			2						.CONNECTOR,RCPT,COAXIAL	98291	51-043-4300
-37	-----			1						.CKT BD ASSY:2ND FILTER SELECT (SEE A68A2 REPL)		
				-					(ATTACHING PARTS).....		
-38	211-0007-01			4						.SCREW,MACHINE:4-40 X 0.188 INCH,PNH STL(END ATTACHING PARTS).....	83385	OBD
				-						.CKT BOARD ASSY INCLUDES:		
-39	136-0263-04			8						.SOCKET,PIN TERM:FOR 0.025 INCH SQ PIN	22526	75377-001
-40	131-0589-00			4						.TERMINAL,PIN:0.46 L X 0.025 SQ	22526	48283-029
-41	346-0032-00			3						.STRAP,RETAINING:0.075 DIA X 4.0 L,MLD RB	98159	2859-75-4
-42	-----			1						.CKT BOARD ASSY:POST V.R. AMP (SEE A68A4 REPL)		
				-					(ATTACHING PARTS).....		
-43	211-0007-01			2						.SCREW,MACHINE:4-40 X 0.188 INCH,PNH STL	83385	OBD
-44	211-0101-01			1						.SCREW,MACH:4-40 X 0.25,100 DEG,FLH STL(END ATTACHING PARTS).....	83385	OBD
				-						.CKT BOARD ASSY INCLUDES:		
-45	136-0263-04			3						.SOCKET,PIN TERM:FOR 0.025 INCH SQ PIN	22526	75377-001
-46	214-2569-00			1						.HEAT SINK,XSTR:(1) TO-5,BE-CU	80009	214-2569-00
-47	407-2137-00			1						.BRACKET,HOUSING:RIGHT(ATTACHING PARTS).....	80009	407-2137-00
-48	211-0541-00			1						.SCREW,MACH:6-32 X 0.25*100 DEG,FLH STL	83385	OBD
-49	211-0504-00			1						.SCREW,MACHINE:6-32 X 0.25 INCH,PNH STL(END ATTACHING PARTS).....	83385	OBD
-50	-----			1						.MICROCKT,LINEAR:(SEE U3041 REPL)(ATTACHING PARTS).....		
-51	211-0503-00			1						.SCREW,MACHINE:6-32 X 0.188 INCH,PNH STL(END ATTACHING PARTS).....	83385	OBD
-52	380-0546-01			1						.HOUSING,CKT BD:VR2,AL(ATTACHING PARTS).....	80009	380-0546-01
-53	211-0514-00			3						.SCREW,MACHINE:6-32 X 0.750 INCH,PNH STL	83385	OBD
-54	210-0006-00			3						.WASHER,LOCK:#6 INTL,0.018 THK,STL CD PL	78189	1206-00-00-0541C
-55	211-0180-00			12						.SCR,ASSEM WSHR:2-56 X 0.25 INCH,PNH BRS(END ATTACHING PARTS).....	83385	OBD
-56	-----			1						.CKT BOARD ASSY:#2 V.R. MOTHER (SEE A68A1 REPL)		
				-					(ATTACHING PARTS).....		
-57	131-0787-00			12						.CONTACT,ELEC:0.64 INCH LONG	22526	47359
-58	131-2196-00			1						.CONN,RCPT,ELEC:CKT BD,6/12,FEMALE	22526	650002-076
-59	131-2167-00			1						.CONN,RCPT,ELEC:CKT BD,FEMALE,12/24	22526	65002-009
-60	361-0917-00			3						.SPACER,SLEEVE:0.141 ID X 0.25 INCH LONG	80009	361-0917-00
-61	-----			1						.CKT BOARD ASSY:#1 V.R. MOTHER (SEE A69A1 REPL)		
				-					(ATTACHING PARTS).....		
-62	211-0180-00			18						.SCR,ASSEM WSHR:2-56 X 0.25 INCH,PNH BRS(END ATTACHING PARTS).....	83385	OBD
				-						.CKT BOARD ASSY INCLUDES:		
-63	131-0787-00			21						.CONTACT,ELEC:0.64 INCH LONG	22526	47359
-64	131-2167-00			1						.CONN,RCPT,ELEC:CKT BD,FEMALE,12/24	22526	65002-009
-65	407-2138-00			1						.BRACKET,HOUSING:LEFT(ATTACHING PARTS).....	80009	407-2138-00
-66	211-0541-00			2						.SCREW,MACH:6-32 X 0.25*100 DEG,FLH STL	83385	OBD
-67	211-0510-00			1						.SCREW,MACHINE:6-32 X 0.375,PNH,STL,CD PL(END ATTACHING PARTS).....	83385	OBD
-68	200-2206-01			1						.COVER,ELEC SHLD:VR1 CIRCUIT BOARD(ATTACHING PARTS).....	80009	200-2206-01
-69	211-0162-01			17						.SCREW,MACHINE:2-56 X 0.188 INCH,SCH,SST	000AH	OBD
-70	211-0030-00			2						.SCREW,MACHINE:2-56 X 0.25*82 DEG,FLH STL(END ATTACHING PARTS).....	83385	OBD
-71	131-2364-00			3						.TERM,FEED THRU:U-SHAPE,0.462 X 0.525	80009	131-2364-00
-72	342-0478-00			3						.INSULATOR,TERM:0.5 INCH LONG,PLASTIC	80009	342-0478-00
-73	-----			1						.CKT BOARD ASSY:20 DB GAIN STEPS (SEE A69A5 REPL)		
				-					(ATTACHING PARTS).....		
-74	211-0007-01			4						.SCREW,MACHINE:4-40 X 0.188 INCH,PNH STL(END ATTACHING PARTS).....	83385	OBD
				-						.CKT BOARD ASSY INCLUDES:		
-75	136-0263-04			7						.SOCKET,PIN TERM:FOR 0.025 INCH SQ PIN	22526	75377-001

Replaceable Mechanical Parts
492/492P Service Vol. 2 (B030000 & Up)

Fig. & Index No.	Tektronix Part No.	Serial/Model No.		Qty	1	2	3	4	5	Name & Description	Mfr Code	Mfr Part Number
		Eff	Dscont									
3 -76	-----			1						.CKT BOARD ASSY:10 DB GAIN STEPS (SEE A69A4 REPL)		
	-----			-					(ATTACHING PARTS).....		
-77	211-0007-01			4						.SCREW,MACHINE:4-40 X 0.188 INCH,PNH STL	83385	OBD
-78	211-0008-01			2						.SCREW,MACHINE:4-40 X 0.250,PNH,STL,CD PL	83385	OBD
	-----			-					(END ATTACHING PARTS).....		
	-----			-						.CKT BOARD ASSY INCLUDES:		
-79	214-2569-00			2						..HEAT SINK,XSTR:(1) TO-5,BE-CU	80009	214-2569-00
-80	136-0263-04			8						..SOCKET,PIN TERM:FOR 0.025 INCH SQ PIN	22526	75377-001
-81	-----			1						.CKT BD ASSY:1ST FILTER SELECT		
	-----			-						(SEE A69A3 REPL)		
	-----			-					(ATTACHING PARTS).....		
-82	211-0007-01			4						.SCREW,MACHINE:4-40 X 0.188 INCH,PNH STL	83385	OBD
	-----			-					(END ATTACHING PARTS).....		
	-----			-						.CKT BOARD ASSY INCLUDES:		
-83	136-0263-04			10						..SOCKET,PIN TERM:FOR 0.025 INCH SQ PIN	22526	75377-001
-84	346-0032-00			3						..STRAP,RTNG:0.075 DIA X 4.0 L,MLD RBR	98159	2859-75-4
-85	131-0589-00			4						..TERMINAL,PIN:0.46 L X 0.025 SQ	22526	48283-029
-86	-----			1						.CKT BD ASSY:V.R. INPUT(SEE A69A2 REPL)		
	-----			-					(ATTACHING PARTS).....		
-87	211-0007-01			4						.SCREW,MACHINE:4-40 X 0.188 INCH,PNH STL	83385	OBD
-88	211-0101-01			1						.SCREW,MACH:4-40 X 0.25,100 DEG,FLH STL	83385	OBD
	-----			-					(END ATTACHING PARTS).....		
	-----			-						.CKT BOARD ASSY INCLUDES:		
-89	214-0579-00			3						..TERM,TEST POINT:BRS CD PL	80009	214-0579-00
-90	136-0263-04			2						..SOCKET,PIN TERM:FOR 0.025 INCH SQ PIN	22526	75377-001
-91	214-2569-00			1						..HEAT SINK,XSTR:(1) TO-5,BE-CU	80009	214-2569-00
-92	131-0372-00			1						.CONNECTOR,RCPT,COAXIAL	98291	51-043-4300
-93	380-0547-01			1						.HOUSING,CKT BD:VR1,AL	80009	380-0547-01

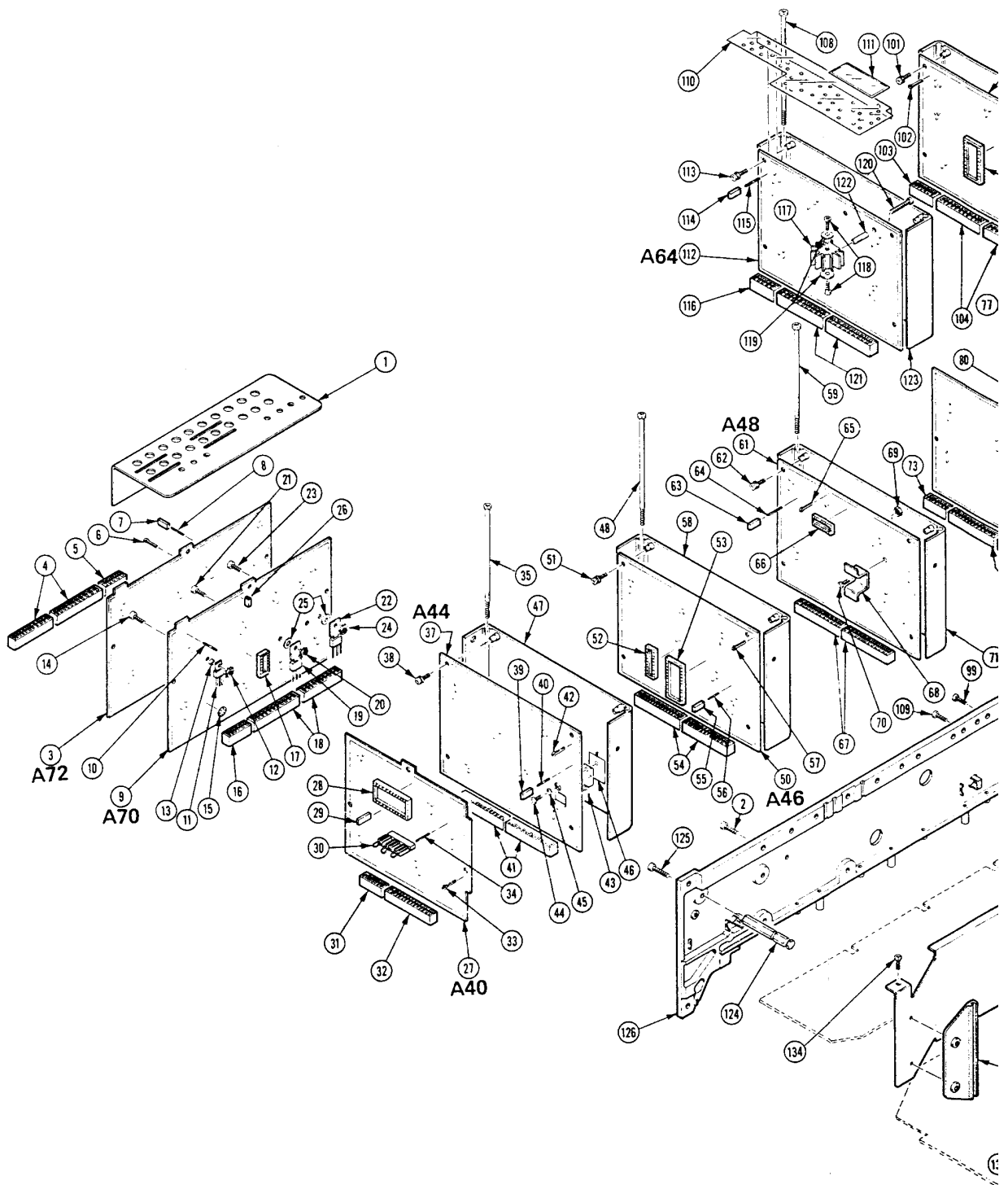


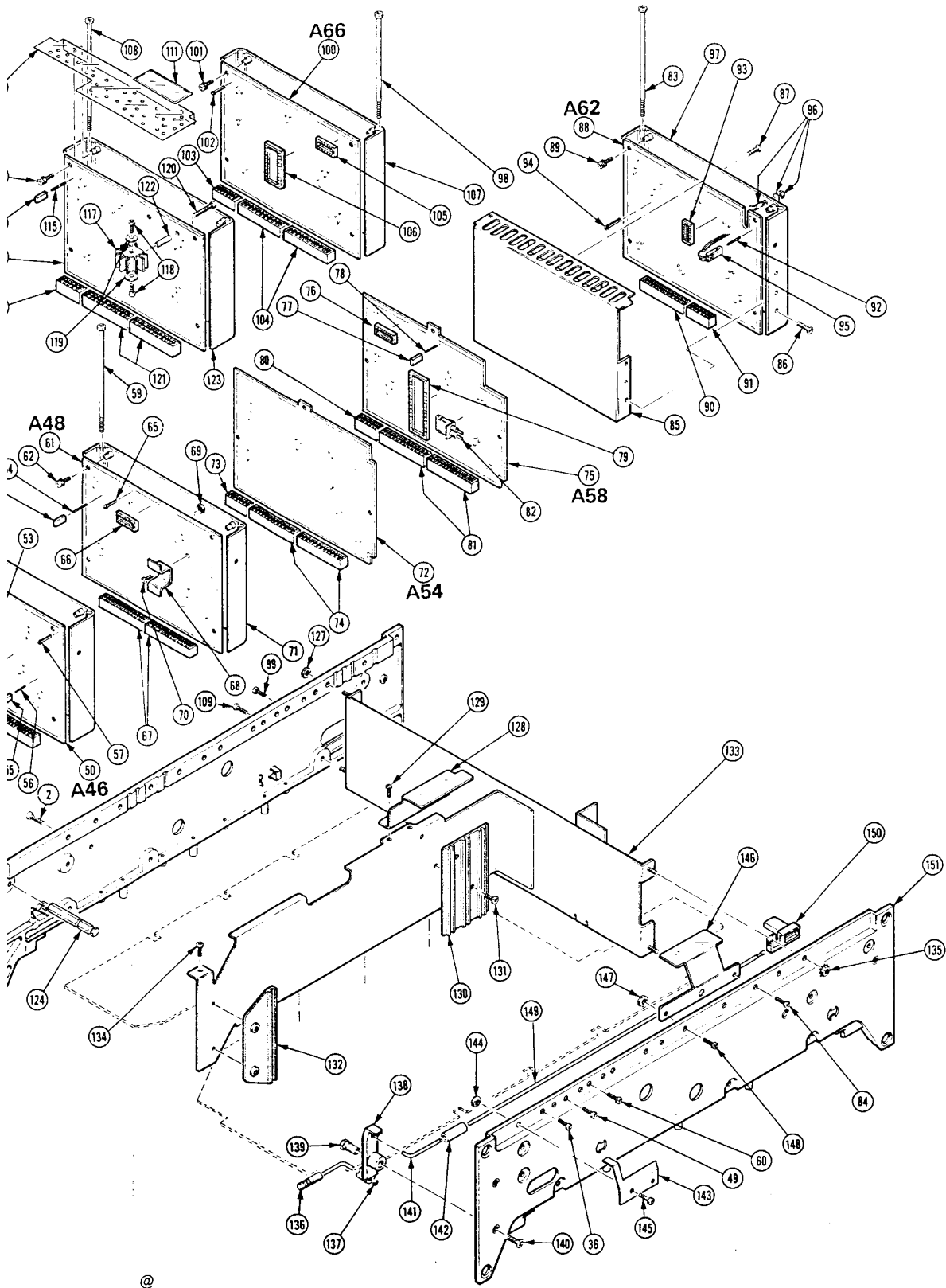
REV JUN 1982



REV JUN 1982

492/492P SERVICE VOL. 2 (B030000 & up)





Replaceable Mechanical Parts
492/492P Service Vol. 2 (B030000 & Up)

Fig. & Index No.	Tektronix Part No.	Serial/Model No.		Qty	1 2 3 4 5	Name & Description	Mfr Code	Mfr Part Number
		Eff	Dscont					
4-1	407-2383-00			1		BRACKET,ANGLE:CIRCUIT BOARD ***** (ATTACHING PARTS) *****	80009	407-2383-00
-2	211-0507-01			2		SCREW,MACHINE:6-32 X 0.312 INCH,PNH STL ***** (END ATTACHING PARTS) *****	83385	OBD
-3	-----			1		CKT BOARD ASSY:SWEEP(SEE A72 REPL)		
-4	131-2167-00			2		.CONN,RCPT,ELEC:CKT BD,FEMALE,12/24	22526	65002-009
-5	131-2196-00			1		.CONN,RCPT,ELEC:CKT BD,6/12,FEMALE	22526	650002-076
-6	-----			1		.TERM.,TEST PT:(SEE A72TP1061 REPL)		
-7	131-0993-00			3		.BUS,CONDUCTOR:2 WIRE BLACK	00779	850100-01
-8	131-0608-00			14		.TERMINAL,PIN:0.365 L X 0.025 PH BRZ GOLD	22526	47357
-9	-----			1		CKT BOARD ASSY:Z-AXIS(SEE A70 REPL)		
-10	131-0608-00			8		.TERMINAL,PIN:0.365 L X 0.025 PH BRZ GOLD	22526	47357
-11	-----			1		.TRANSISTOR:(SEE A70Q3024 REPL) ***** (ATTACHING PARTS) *****		
-12	210-0586-00			1		.NUT,PL,ASSEM WA:4-40 X 0.25,STL	83385	OBD
-13	210-1133-00			1		.WASHER,FLAT:0.142 ID X 0.058 THK,FBR	80009	210-1133-00
-14	211-0097-01			1		.SCREW,MACHINE:4-40 X 0.312 INCH,PNH STL ***** (END ATTACHING PARTS) *****	83385	OBD
-15	386-1130-00			2		.INSULATOR DISC:TRANSISTOR,NYLON	13103	7717-15N
-16	131-2196-00			1		.CONN,RCPT,ELEC:CKT BD,6/12,FEMALE	22526	650002-076
-17	136-0260-02	B030000	B031329	3		.SKT,PL-IN ELEK:MICROCKT,16 DIP,LOW CLE (492 ONLY)	71785	133-51-92-008
	136-0260-02	B030000	B031414	3		.SKT,PL-IN ELEK:MICROCKT,16 DIP,LOW CLE (492P ONLY)	71785	133-51-92-008
-18	131-2167-00			2		.CONN,RCPT,ELEC:CKT BD,FEMALE,12/24	22526	65002-009
-19	-----			2		.TRANSISTOR:(SEE A70Q4058,A70Q4063 REPL) ***** (ATTACHING PARTS) *****		
-20	210-0586-00			2		.NUT,PL,ASSEM WA:4-40 X 0.25,STL	83385	OBD
-21	211-0097-01			2		SCREW,MACHINE:4-40 X 0.312 INCH,PNH STL ***** (END ATTACHING PARTS) *****	83385	OBD
-22	-----			2		.TRANSISTOR:(SEE A70Q4059,A70Q4065 REPL) ***** (ATTACHING PARTS) *****		
-23	211-0097-01			2		.SCREW,MACHINE:4-40 X 0.312 INCH,PNH STL	83385	OBD
-24	210-0586-00			2		.NUT,PL,ASSEM WA:4-40 X 0.25,STL ***** (END ATTACHING PARTS) *****	83385	OBD
-25	210-1282-00			4		.WASHER,FLAT:0.130 ID X 0.06 THK,STEEL	07707	S-BBUP-4
-26	136-0544-00			9		.JACK,TIP:HORIZ CKT CD MT,WHITE	74970	105-1101-001
-27	-----			1		CKT BOARD ASSY:VIDEO PROCESSOR (SEE A40 REPL)		
-28	136-0578-00	B030000	B031329	1		.SKT,PL-IN ELEK:MICROCKT,24 PIN,LOW PF (492 ONLY)	73803	C S9002-24
	136-0578-00	B030000	B031414	1		.SKT,PL-IN ELEK:MICROCKT,24 PIN,LOW PF (492P ONLY)	73803	C S9002-24
-29	131-0993-09			1		.LINK,TERM.CONNE:2 WIRE WHITE	00779	530153-1
-30	131-2053-00			1		.LINK,TERM. CONN:3,26 AWG,1.5" L	80009	131-2053-00
-31	131-2167-00			1		.CONN,RCPT,ELEC:CKT BD,FEMALE,12/24	22526	65002-009
-32	131-2196-00			1		.CONN,RCPT,ELEC:CKT BD,6/12,FEMALE	22526	650002-076
-33	214-0579-00			9		.TERM,TEST POINT:BRS CD PL	80009	214-0579-00
-34	131-0608-00			11		.TERMINAL,PIN:0.365 L X 0.025 PH BRZ GOLD	22526	47357
	672-0812-02			1		CKT BOARD ASSY:1ST LO DRIVER ***** (ATTACHING PARTS) *****	80009	672-0812-02
-35	211-0666-00			2		SCREW,MACHINE:6-32 X 4.25 INCH,PNH STL	80009	211-0666-00
-36	211-0507-01			1		SCREW,MACHINE:6-32 X 0.312 INCH,PNH STL ***** (END ATTACHING PARTS) *****	83385	OBD
-37	-----			-		CKT BOARD ASSY INCLUDES: .CKT BOARD ASSY:1ST L.O. DRIVER (SEE A44 REPL) ***** (ATTACHING PARTS) *****		
-38	211-0116-00			4		.SCR,ASSEM WSHR:4-40 X 0.312 INCH,PNH BRS ***** (END ATTACHING PARTS) *****	83385	OBD
	-----			-		.CKT BOARD ASSY INCLUDES: .BUS,CONDUCTOR:2 WIRE BLACK		
-39	131-0993-00			1		.BUS,CONDUCTOR:2 WIRE BLACK	00779	850100-01
-40	131-0608-00			2		.TERMINAL,PIN:0.365 L X 0.025 PH BRZ GLD	22526	47357
-41	131-2167-00			2		.CONN,RCPT,ELEC:CKT BD,FEMALE,12/24	22526	65002-009
-42	214-0579-00			4		.TERM,TEST POINT:BRS CD PL	80009	214-0579-00
-43	-----			1		.TRANSISTOR:(SEE Q3052 REPL) ***** (ATTACHING PARTS) *****		

Replaceable Mechanical Parts
492/492P Service Vol. 2 (B030000 & Up)

Fig. & Index No.	Tektronix Part No.	Serial/Model No.		Qty	1	2	3	4	5	Name & Description	Mfr Code	Mfr Part Number
		Eff	Dscont									
4-44	211-0008-01			1						.SCREW,MACHINE:4-40 X 0.250,PNH,STL,CD PL	83385	OBD
-45	210-1178-00			1						.WASHER,SHLDR:U/W T0-220 TRANSISTOR(END ATTACHING PARTS).....	49671	DF137A
-46	342-0355-00			1						.INSULATOR,PLATE:TRANSISTOR,SILICONE RBR	000BB	7403-09FR-51
-47	352-0512-00			1						.HOLDER,CKT BD:5.7 L,ALUMINUM	80009	352-0512-00
	672-0809-00			1						CKT BOARD ASSY:CENTER FREQ CONTROL(ATTACHING PARTS).....	80009	672-0809-00
-48	211-0666-00			2						SCREW,MACHINE:6-32 X 4.25 INCH,PNH STL	80009	211-0666-00
-49	211-0507-01			1						SCREW,MACHINE:6-32 X 0.312 INCH,PNH STL(END ATTACHING PARTS).....	83385	OBD
	-----			-						CKT BOARD ASSY INCLUDES:		
-50	-----			1						.CKT BOARD ASSY:CTR FREQ CONTROL (SEE A46 REPL)		
	-----			-					(ATTACHING PARTS).....		
-51	211-0116-00			4						.SCR,ASSEM WSHR:4-40 X 0.312 INCH,PNH BRS(END ATTACHING PARTS).....	83385	OBD
	129-0299-00			2						.POST,ELEC-MECH:HEX,0.333 INCH LONG(ATTACHING PARTS).....	80009	129-0299-00
	211-0116-00			2						.SCR,ASSEM WSHR:4-40 X 0.312 INCH,PNH BRS(END ATTACHING PARTS).....	83385	OBD
	-----			-						.CKT BOARD ASSY INCLUDES:		
-52	136-0578-00			4						.SKT,PL-IN ELEK:MICROCKT,24 PIN,LOW PF	73803	C S9002-24
-53	136-0634-00	B030000	B031329	1						.SOCKET,PLUG-IN:20 LEAD DIP,CKT BD MTG (492 ONLY)	73803	CS9002-20
	-----			-								
	136-0634-00	B030000	B031414	1						.SOCKET,PLUG-IN:20 LEAD DIP,CKT BD MTG (492P ONLY)	73803	CS9002-20
	-----			-								
-54	131-2167-00			2						.CONN,RCPT,ELEC:CKT BD,FEMALE,12/24	22526	65002-009
-55	131-0993-00			2						.BUS,CONDUCTOR:2 WIRE BLACK	00779	850100-01
-56	131-0608-00			4						.TERMINAL,PIN:0.365 L X 0.025 PH BRZ GLD	22526	47357
-57	214-0579-00			7						.TERM,TEST POINT:BRS CD PL	80009	214-0579-00
-58	352-0512-00			1						.HOLDER,CKT BD:5.7 L,ALUMINUM	80009	352-0512-00
	672-0811-00			1						CKT BOARD ASSY:SPAN ATTENUATOR(ATTACHING PARTS).....	80009	672-0811-00
-59	211-0666-00			2						SCREW,MACHINE:6-32 X 4.25 INCH,PNH STL	80009	211-0666-00
-60	211-0507-01			1						SCREW,MACHINE:6-32 X 0.312 INCH,PNH STL(END ATTACHING PARTS).....	83385	OBD
	-----			-						CKT BOARD ASSY INCLUDES:		
-61	-----			1						.CKT BOARD ASSY:SPAN ATTENUATOR (SEE A48 REPL)		
	-----			-					(ATTACHING PARTS).....		
-62	211-0116-00			4						.SCR,ASSEM WSHR:4-40 X 0.312 INCH,PNH BRS(END ATTACHING PARTS).....	83385	OBD
	-----			-						.CKT BOARD ASSY INCLUDES:		
-63	131-0993-00			1						.BUS,CONDUCTOR:2 WIRE BLACK	00779	850100-01
-64	131-0608-00			2						.TERMINAL,PIN:0.365 L X 0.025 PH BRZ GLD	22526	47357
-65	214-0579-00	B030000	B042479	2						.TERM,TEST POINT:BRS CD PL	80009	214-0579-00
-66	136-0260-02	B030000	B031329	1						.SKT,PL-IN ELEK:MICROCKT,16 DIP,LOW CL (492 ONLY)	71785	133-51-92-008
	-----			-								
	136-0260-02	B030000	B031414	1						.SKT,PL-IN ELEK:MICROCKT,16 DIP,LOW CL (492P ONLY)	71785	133-51-92-008
	-----			-								
-67	131-2167-00			2						.CONN,RCPT,ELEC:CKT BD,FEMALE,12/24	22526	65002-009
-68	214-1845-01			2						.HEAT SINK,XSTR:0.125 DIA HOLE,AL(ATTACHING PARTS).....	80009	214-1845-01
-69	210-0586-00			4						.NUT,PL,ASSEM WA:4-40 X 0.25,STL	83385	OBD
-70	211-0008-01			4						.SCREW,MACH:4-40 X 0.250,PNH,STL,CD PL(END ATTACHING PARTS).....	83385	OBD
-71	352-0512-00			1						.HOLDER,CKT BD:5.7 L,ALUMINUM	80009	352-0512-00
-72	-----			1						CKT BOARD ASSY:MEMORY(SEE A54 REPL)		
-73	131-2196-00			1						.CONN,RCPT,ELEC:CKT BD,6/12,FEMALE	22526	650002-076
-74	131-2167-00			2						.CONN,RCPT,ELEC:CKT BD,FEMALE,12/24	22526	65002-009
-75	-----			1						CKT BOARD ASSY:PROCESSOR(SEE A58 REPL)		
-76	136-0260-02	B030000	B031329	1						.SKT,PL-IN ELEK:MICROCKT,16 DIP,LOW CLE (492 ONLY)	71785	133-51-92-008
	-----			-								
	136-0260-02	B030000	B031414	1						.SKT,PL-IN ELEK:MICROCKT,16 DIP,LOW CLE (492P ONLY)	71785	133-51-92-008
	-----			-								
-77	131-0993-00			2						.BUS,CONDUCTOR:2 WIRE BLACK	00779	850100-01

Replaceable Mechanical Parts
492/492P Service Vol. 2 (B030000 & Up)

Fig. & Index No.	Tektronix Part No.	Serial/Model No. Eff	Dscont	Qty	1	2	3	4	5	Name & Description	Mfr Code	Mfr Part Number
4-78	131-0608-00			5						.TERMINAL,PIN:0.365 L X 0.025 PH BRZ GOLD	22526	47357
-79	136-0623-00	B030000	B031329	2						.SOCKET,PLUG-IN:40 DIP,LOW PROFILE (492 ONLY)	73803	CS9002-40
	136-0623-00	B030000	B031414	2						.SOCKET,PLUG-IN:40 DIP,LOW PROFILE (492P ONLY)	73803	CS9002-40
-80	131-2196-00			1						.CONN,RCPT,ELEC:CKT BD,6/12,FEMALE	22526	650002-076
-81	131-2167-00			2						.CONN,RCPT,ELEC:CKT BD,FEMALE,12/24	22526	65002-009
-82	136-0208-00			1						.SOCKET,PLUG-IN:CRYSTAL AUGAT	91506	8004-1G5
	672-0810-00			1						CKT BOARD ASSY:LOG AMPLIFIER ***** (ATTACHING PARTS) *****	80009	672-0810-00
-83	211-0666-00			2						SCREW,MACHINE:6-32 X 4.25 INCH,PNH STL	80009	211-0666-00
-84	211-0507-01			1						SCREW,MACHINE:6-32 X 0.312 INCH,PNH STL ***** (END ATTACHING PARTS) *****	83385	OBD
				-						CKT BOARD ASSY INCLUDES: .SHIELD,ELEC:CIRCUIT BOARD ***** (ATTACHING PARTS) *****	80009	337-2803-00
-85	337-2803-00			1						.SHIELD,ELEC:CIRCUIT BOARD ***** (ATTACHING PARTS) *****	80009	337-2803-00
-86	211-0105-01			6						.SCREW,MACH:4-40 X 0.188,100 DEG,FLH STL	83385	OBD
-87	211-0005-00			3						.SCREW,MACHINE:4-40 X 0.125 INCH,PNH STL ***** (END ATTACHING PARTS) *****	83385	OBD
-88				1						.CKT BD ASSY:LOG AMPLIFIER(SEE A62 REPL) ***** (ATTACHING PARTS) *****		
-89	211-0116-00			4						.SCR,ASSEM WSHR:4-40 X 0.312 INCH,PNH BRS ***** (END ATTACHING PARTS) *****	83385	OBD
				-						.CKT BOARD ASSY INCLUDES: .CONN,RCPT,ELEC:CKT BD,FEMALE,12/24	22526	65002-009
-90	131-2167-00			1						.CONN,RCPT,ELEC:CKT BD,FEMALE,12/24	22526	65002-076
-91	131-2196-00			1						.CONN,RCPT,ELEC:CKT BD,6/12,FEMALE	22526	65002-009
-92	131-0608-00			4						.TERMINAL,PIN:0.365 L X 0.025 PH BRZ GLD	22526	47357
-93	136-0260-02	B030000	B031329	1						.SKT,PL-IN ELEK:MICROCKT,16 DIP,LOW CL (492 ONLY)	71785	133-51-92-008
	136-0260-02	B030000	B031414	1						.SKT,PL-IN ELEK:MICROCKT,16 DIP,LOW CL (492P ONLY)	71785	133-51-92-008
-94	214-0579-00			1						.TERM,TEST POINT:BRS CD PL	80009	214-0579-00
-95	198-4209-00			1						.WIRE SET,ELEC:	80009	198-4209-00
	352-0169-00			1						.HLDR,TERM CONN:2 WIRE BLACK	80009	352-0169-00
	352-0169-02			1						.CONN BODY,PL,EL:2 WIRE RED	80009	352-0169-00
-96	131-0372-00			2						.CONNECTOR,RCPT:COAXIAL	98291	51-043-4300
-97	352-0512-01			1						.HOLDER,CKT BD:5.7 L,ALUMINUM	80009	352-0512-01
	672-0808-00			1						CKT BOARD ASSY:CRT READOUT ***** (ATTACHING PARTS) *****	80009	672-0808-00
-98	211-0666-00			2						SCREW,MACHINE:6-32 X 4.25 INCH,PNH STL	80009	211-0666-00
-99	211-0507-00			1						SCREW,MACHINE:6-32 X 0.312 INCH,PNH STL ***** (END ATTACHING PARTS) *****	83385	OBD
				-						CKT BOARD ASSY INCLUDES: .CKT BOARD ASSY:CRT READOUT(SEE A66 REPL) ***** (ATTACHING PARTS) *****		
-100				1						.CKT BOARD ASSY:CRT READOUT(SEE A66 REPL) ***** (ATTACHING PARTS) *****		
-101	211-0116-00			4						.SCR,ASSEM WSHR:4-40 X 0.312 INCH,PNH BRS ***** (END ATTACHING PARTS) *****	83385	OBD
				-						.CKT BOARD ASSY INCLUDES: .TERM,TEST POINT:BRS CD PL	80009	214-0579-00
-102	214-0579-00			1						.TERM,TEST POINT:BRS CD PL	80009	214-0579-00
-103	131-2196-00			1						.CONN,RCPT,ELEC:CKT BD,6/12,FEMALE	22526	650002-076
-104	131-2167-00			2						.CONN,RCPT,ELEC:CKT BD,FEMALE,12/24	22526	65002-009
-105	136-0260-02	B030000	B031329	1						.SKT,PL-IN ELEK:MICROCKT,16 DIP,LOW CL (492 ONLY)	71785	133-51-92-008
	136-0260-02	B030000	B031414	1						.SKT,PL-IN ELEK:MICROCKT,16 DIP,LOW CL (492P ONLY)	71785	133-51-92-008
-106	136-0578-00	B030000	B031329	1						.SKT,PL-IN ELEK:MICROCKT,24 PIN,LOW PF (492 ONLY)	73803	C S9002-24
	136-0578-00	B030000	B031414	1						.SKT,PL-IN ELEK:MICROCKT,24 PIN,LOW PF (492P ONLY)	73803	C S9002-24
-107	352-0512-00			1						.HOLDER,CKT BD:5.7 L,ALUMINUM	80009	352-0512-00
	672-0813-00			1						CKT BOARD ASSY:DEFLECTION AMPLIFIER ***** (ATTACHING PARTS) *****	80009	672-0813-00
-108	211-0666-00			2						SCREW,MACHINE:6-32 X 4.25 INCH,PNH STL	80009	211-0666-00

Replaceable Mechanical Parts
492/492P Service Vol. 2 (B030000 & Up)

Fig. & Index No.	Tektronix Part No.	Serial/Model No.		Qty	1 2 3 4 5	Name & Description	Mfr Code	Mfr Part Number
		Eff	Dscont					
4-109	211-0507-0			1		SCREW,MACHINE:6-32 X 0.312 INCH,PNH STL ***** (ATTACHING PARTS)*****	83385	OBD
	-----			-		CKT BOARD ASSY INCLUDES:		
-110	200-2238-00			1		..COVER,CKT BD:DEFLECTION AMPLIFIER	80009	200-2238-00
-111	334-2257-01			1		..MARKER,IDENT:CAUTION	80009	334-2257-01
-112	-----			1		..CKT BOARD ASSY:DEFLECTION AMP (SEE A64 REPL)		
	-----			-		***** (ATTACHING PARTS)*****		
-113	211-0116-00			4		..SCR,ASSEM WSHR:4-40 X 0.312 INCH,PNH BRS ***** (ATTACHING PARTS)*****	83385	OBD
	-----			-		CKT BOARD ASSY INCLUDES:		
-114	131-0993-00			4		..BUS,CONDUCTOR:2 WIRE BLACK	00779	850100-01
-115	131-0608-00			14		..TERMINAL,PIN:0.365 L X 0.025 PH BRZ GLD	22526	47357
-116	131-2196-00			1		..CONN,RCPT,ELEC:CKT BD,6/12,FEMALE	22526	650002-076
-117	214-2867-00			2		..HEAT SINK,XSTR: ***** (ATTACHING PARTS)*****	80009	214-2867-00
-118	211-0008-01			4		..SCREW,MACH:4-40 X 0.250,PNH,STL,CD PL	83385	OBD
-119	210-1001-00			4		..WASHER,FLAT:0.119 ID X 0.375" OD,BRS	12360	OBD
-120	211-0017-00			2		..SCREW,MACHINE:4-40 X 0.375 INCH,PNH STL ***** (ATTACHING PARTS)*****	83385	OBD
-121	131-2167-00			2		..CONN,RCPT,ELEC:CKT BD,FEMALE,12/24	22526	65002-009
-122	361-0564-00			2		..SPACER,SLEEVE:0.50 L X 0.133 ID BRS CD	76854	3-5165-275
-123	352-0512-00			1		HOLDER,CKT BD:5.7 L,ALUMINUM	80009	352-0512-00
-124	351-0559-01			1		GUIDE,CKT BD:ALUMINUM ***** (ATTACHING PARTS)*****	80009	351-0559-00
-125	211-0507-00			1		SCREW,MACHINE:6-32 X 0.312 INCH,PNH STL ***** (ATTACHING PARTS)*****	83385	OBD
-126	426-1467-01			1		FRAME SECT,SA:SIDE ***** (ATTACHING PARTS)*****	80009	426-1467-01
-127	210-0457-00			2		NUT,PL,ASSEM WA:6-32 X 0.312,STL CD PL ***** (ATTACHING PARTS)*****	83385	OBD
-128	407-2513-00			1		BRACKET,RING:CIRCUIT BOARD,CENTER ***** (ATTACHING PARTS)*****	80009	407-2513-00
-129	211-0504-00			2		SCREW,MACHINE:6-32 X 0.25 INCH,PNH STL ***** (ATTACHING PARTS)*****	83385	OBD
-130	351-0577-00			1		GUIDE,CKT BD:2.9 INCH LONG,AL ***** (ATTACHING PARTS)*****	80009	351-0577-00
-131	211-0504-00			2		SCREW,MACHINE:6-32 X 0.25 INCH,PNH STL ***** (ATTACHING PARTS)*****	83385	OBD
-132	351-0561-00			1		GUIDE,CKT BD:PLASTIC	80009	351-0561-00
-133	426-1531-00			1		CHAS ASSY,INNER:SPECTRUM ANALYZER ***** (ATTACHING PARTS)*****	80009	426-1531-00
-134	211-0507-01			1		SCREW,MACHINE:6-32 X 0.312 INCH,PNH STL	83385	OBD
-135	210-0457-00			2		NUT,PL,ASSEM WA:6-32 X 0.312,STL CD PL ***** (ATTACHING PARTS)*****	83385	OBD
-136	366-1763-00			1		KNOB:GY,0.3 OD X 0.81 H,W/SHAFT ***** (ATTACHING PARTS)*****	80009	366-1763-00
-137	354-0163-00			1		RING,RETAINING:TRUARC,CAD PLATE ***** (ATTACHING PARTS)*****	79136	5133-12MD
-138	214-2924-01			1		LEVER,SWITCH:ACETAL ***** (ATTACHING PARTS)*****	80009	214-2924-01
-139	377-0499-00			1		INSERT,SCR THD:6-32 X 0.635 INCH LONG	80009	377-0499-00
-140	211-0512-00			1		SCREW,MACHINE:6-32 X 0.50" 100 DEG,FLH ST ***** (ATTACHING PARTS)*****	83385	OBD
-141	384-1540-00			1		EXTENSION,SHAFT:0.125 OD X 1.87 L	80009	384-1540-00
-142	376-0053-00			1		CPLG,SHAFT,RGD:0.128 ID X 0.312 OD	80009	376-0053-00
-143	407-2784-00			1		BRACKET,RTNG:CIRCUIT BOARD ***** (ATTACHING PARTS)*****	80009	407-2784-00
-144	210-0457-00			1		NUT,PL,ASSEM WA:6-32 X 0.312,STL CD PL	83385	OBD
-145	211-0510-00			1		SCREW,MACHINE:6-32 X 0.375,PNH,STL,CD PL ***** (ATTACHING PARTS)*****	83385	OBD
-146	407-2514-00			1		BRACKET,RING:CIRCUIT BOARD,SIDE ***** (ATTACHING PARTS)*****	80009	407-2514-00

Replaceable Mechanical Parts
492/492P Service Vol. 2 (B030000 & Up)

Fig. & Index No.	Tektronix Part No.	Serial/Model No.		Qty	1 2 3 4 5	Name & Description	Mfr	
		Eff	Dscont				Code	Mfr Part Number
4-147	210-0457-0			1		NUT,PL,ASSEM WA:6-32 X 0.312,STL CD PL	83385	OBD
-148	211-0510-00			1		SCREW,MACHINE:6-32 X 0.375,PNH,STL,CD PL(END ATTACHING PARTS).....	83385	OBD
-149	384-1518-00			1		SHAFT,SWITCH:12.35L X 0.125 OD,ALUMINUM	80009	384-1518-00
-150	214-2772-01			1		ACTUATOR,SWITCH:POWER	80009	214-2772-01
-151	426-1467-01			1		FRAME SECT,SA:SIDE	80009	426-1467-01

Replaceable Mechanical Parts
492/492P Service Vol. 2 (B030000 & Up)

Fig. & Index No.	Tektronix Part No.	Serial/Model No. Eff	Dscont	Qty	1	2	3	4	5	Name & Description	Mfr Code	Mfr Part Number
5-1	346-0161-01			1						STRAP,RETAINING:1.54 L X 0.5 W,SST,W/BRKT(ATTACHING PARTS).....	80009	346-0161-01
-2	211-0007-01			1						SCREW,MACHINE:4-40 X 0.188 INCH,PNH STL	83385	OBD
-3	210-0589-00			1						NUT,SELF LKG HE:4-40 X 0.250 INCH	13257	22 NM-40
-4	211-0014-00			1						SCREW,MACHINE:4-40 X 0.50 INCH,PNH STL(END ATTACHING PARTS).....	83385	OBD
-5	346-0162-01			1						STRAP,RETAINING:3.21 L X 0.5 W,SST,W/BRKT(ATTACHING PARTS).....	80009	346-0162-01
-6	211-0007-01			1						SCREW,MACHINE:4-40 X 0.188 INCH,PNH STL(END ATTACHING PARTS).....	83385	OBD
-7	-----			1						CA ASSY,SP,ELEC:(SEE W1037 REPL)		
	352-0165-00			1						.CONN BODY,PL,EL:7 WIRE BLACK	80009	352-0165-00
	352-0165-02			1						.CONN BODY,PL,EL:7 WIRE RED	80009	352-0165-02
	134-0153-00			2						.KEY,PLZN CONN:MINI LATCH HSG	80009	134-0153-00
-8	-----			1						OSCILLATOR,RF:(SEE A16 REPL)		
-8.1	-----			1						.CKT BOARD ASSY:1ST L.O. INTFC(SEE A16A1 REPL)		
-8.2	131-0608-00	B041489		11						.TERMINAL,PIN:0.365 L X 0.025 PH BRZ GLD	22526	47357
-9	343-0549-00			1						.STRAP,TIEDOWN:0.091 W X 3.62 INCH LONG	06383	PLT1M
-10	361-0935-00			1						SPACER,OSC:ALUMINUM	80009	361-0935-00
-10	214-2769-00			1						HEAT SINK,OSC:(ATTACHING PARTS).....	80009	214-2769-00
-11	211-0097-01			4						SCREW,MACHINE:4-40 X 0.312 INCH,PNH STL(END ATTACHING PARTS).....	83385	OBD
-12	-----			1						CABLE ASSY,RF:(SEE W166 REPL)		
-13	-----			1						CABLE ASSY,RF:(SEE W130 REPL)		
-14	-----			1						CABLE ASSY,RF:(SEE W132 REPL)		
-15	-----			1						POWER DIV ASSY:(SEE A13 REPL)(ATTACHING PARTS).....		
-16	211-0007-01			2						SCREW,MACHINE:4-40 X 0.188 INCH,PNH STL(END ATTACHING PARTS).....	83385	OBD
-17	-----			1						CABLE ASSY,RF:(SEE W182,W320 REPL)		
-18	-----			1						CABLE ASSY,RF:(SEE W360 REPL)		
-19	-----			1						FILTER,BANDPASS:(SEE FL36 REPL)(ATTACHING PARTS).....		
-20	211-0008-01			2						SCREW,MACHINE:4-40 X 0.250,PNH,STL,CD PL(END ATTACHING PARTS).....	83385	OBD
-21	343-0013-00			1						CLAMP,LOOP:0.375 ID,PLASTIC(ATTACHING PARTS).....	95987	3-8-6B
-22	210-0458-00			1						NUT,PL,ASSEM WA:8-32 X 0.344 INCH,STL	83385	OBD
-23	210-0863-00			1						WSHR,LOOP CLP:0.187 ID U/W 0.5 W CLP,STL(END ATTACHING PARTS).....	95987	C191
-24	407-2353-00			1						BRACKET,ANGLE:LOW PASS FILTER	80009	407-2353-00
-25	-----			1						CABLE ASSY,RF:(SEE W142 REPL)		
26	-----			2						FILTER,LOW PASS:(SEE FL11,FL15 REPL)		
27	-----			1						CABLE ASSY,RF:(SEE W150 REPL)		
-28	-----			1						DIR FILTER:(SEE FL16 REPL)(ATTACHING PARTS).....		
29	211-0008-01			2						SCREW,MACHINE:4-40 X 0.250,PNH,STL,CD PL(END ATTACHING PARTS).....	83385	OBD
30	-----			1						CABLE ASSY,RF:(SEE W2340 REPL)		
-31	-----			1						CABLE ASSY,RF:(SEE W110 REPL)		
-32	-----			1						CABLE ASSY,RF:(SEE W100 REPL)		
33	-----			1						CABLE ASSY,RF:(SEE W101 REPL)		
34	-----			1						ATTENUATOR,VAR:(SEE AT10 REPL)(ATTACHING PARTS).....		
-35	211-0008-01			2						SCREW,MACHINE:4-40 X 0.250,PNH,STL,CD PL(END ATTACHING PARTS).....	83385	OBD
6	-----			1						CABLE ASSY,RF:(SEE W348 REPL)		
7	-----			1						CABLE ASSY,RF:(SEE W344 REPL)		
	-----			1						OSC/MIXER ASSY:(SEE A34 REPL)(ATTACHING PARTS).....		

Replaceable Mechanical Parts
492/492P Service Vol. 2 (B030000 & Up)

Fig. & Index No.	Tektronix Part No.	Serial/Model No.		Qty	Name & Description					Mfr Code	Mfr Part Number
		Eff	Dscont		1	2	3	4	5		
5-38	211-0008-01			2	SCREW,MACHINE:4-40 X 0.250,PNH,STL,CD PL ***** (END ATTACHING PARTS) *****					83385	OBD
	-----			-	OSC/MIXER ASSY INCLUDES:						
-39	-----			1	.CKT BOARD ASSY:100MHZ L/O RGLTR (SEE A34A2 REPL)						
-40	-----			1	.MICROCIRCUIT,LI:(SEE U1020 REPL) ***** (ATTACHING PARTS) *****						
-41	210-0586-00			1	.NUT,PL,ASSEM WA:4-40 X 0.25,STL ***** (END ATTACHING PARTS) *****					83385	OBD
	-----			1	.MICROCIRCUIT,LI:(SEE U2010 REPL) ***** (ATTACHING PARTS) *****						
-43	210-0586-00			1	.NUT,PL,ASSEM WA:4-40 X 0.25,STL					83385	OBD
-44	210-0851-00			1	.WASHER,FLAT:0.119 ID X 0.375 INCH OD,ST					12327	OBD
-45	210-1002-00			1	.WASHER,FLAT:0.125 ID X 0.25 INCH OD,BRS ***** (END ATTACHING PARTS) *****					12327	OBD
-46	342-0355-00			1	.INSULATOR,PLATE:TRANSISTOR,SILICONE RBR					000BB	7403-09FR-51
-47	175-2376-00			1	.CA ASSY,SP,ELEC:5.5 INCH LONG					80009	175-2376-00
	352-0163-00			1	.CONN BODY,PL,EL:5 WIRE BLACK					80009	352-0163-00
-48	407-2166-00			1	.BRACKET,ANGLE:110MHZ MIXER,ALUMINUM					80009	407-2166-00
-49	131-1972-00			2	.CONN,RCPT,ELEC:SNAP CATCH,RIGHT ANGLE					98291	51-047-0239
-50	131-0938-00			4	.CONNECTOR,RCPT,:50 OHM MALE SNAP-ON					98291	051-043-0349
-51	-----			1	.CKT BOARD ASSY:110 MIXER/OSC (SEE A34A1 REPL)						
	-----			-	***** (ATTACHING PARTS) *****						
-52	211-0008-01			2	.SCREW,MACHINE:4-40 X 0.250,PNH,STL,CD PL ***** (END ATTACHING PARTS) *****					83385	OBD
-53	129-0236-00			2	.SPACER,POST:0.188 HEX X 0.375 INCH LONG					06540	9726-A-0440
-54	255-0678-00			FT	.PLASTIC,EXTR:GROMMET,BLACK					80009	255-0678-00
-55	337-2574-01			1	.SHIELD,ELEC:CIRCUIT BOARD					80009	337-2574-01
-56	-----			1	CABLE ASSY,RF:(SEE W162 REPL)						
-57	-----			1	DIPLEXER ASSY:(SEE A14 REPL) ***** (ATTACHING PARTS) *****						
-58	211-0008-01			2	SCREW,MACHINE:4-40 X 0.250,PNH,STL,CD PL ***** (END ATTACHING PARTS) *****					83385	OBD
-59	-----			1	SEC CONV ASSY:(SEE A18 REPL) ***** (ATTACHING PARTS) *****						
-60	211-0008-01			4	SCREW,MACHINE:4-40 X 0.250,PNH,STL,CD PL ***** (END ATTACHING PARTS) *****					83385	OBD
-61	-----			-	SEC CONV ASSY INCLUDES:						
-62	175-2370-00			1	.CABLE ASSY,RF:(SEE W140 REPL)						
	352-0162-00			1	.CA ASSY,SP,ELEC:5.5 INCH LONG					80009	175-2370-00
-63	-----			1	.HLDR,TERM CONN:4 WIRE BLACK					80009	352-0162-00
-64	-----			1	CABLE ASSY,RF:(SEE W182,W320 REPL)						
-65	-----			1	CABLE ASSY,RF:(SEE W236 REPL)						
	-----			1	CABLE ASSY,RF:(SEE W232 REPL)						
	-----			1	SEC CON ASSY:(SEE A23 REPL) ***** (ATTACHING PARTS) *****						
-66	211-0008-01			2	SCREW,MACHINE:4-40 X 0.250,PNH,STL,CD PL					83385	OBD
-67	211-0545-00			3	SCREW,MACHINE:6-32 X 1.250 INCH,TRH STL ***** (END ATTACHING PARTS) *****					83385	OBD
	-----			-	SEC CON ASSY INCLUDES:						
-68	200-2333-01			1	.COVER,CONVERTER:829MHZ,BOTTOM ***** (ATTACHING PARTS) *****					80009	200-2333-01
-69	211-0162-01			33	.SCREW,MACHINE:2-56 X 0.188 INCH,SCH,SST ***** (END ATTACHING PARTS) *****					000AH	OBD
-70	-----			1	.CKT BOARD ASSY:I.F. SWITCHING (SEE A23A6 REPL)						
	-----			-	***** (ATTACHING PARTS) *****						
-71	211-0162-01			5	.SCREW,MACHINE:2-56 X 0.188 INCH,SCH,SST					000AH	OBD
-72	210-1008-00			5	.WASHER,FLAT:0.09 ID X 0.188" OD,BRS ***** (END ATTACHING PARTS) *****					12360	OBD
-73	-----			1	.CKT BOARD ASSY:829MHZ,SEC,CONV (SEE A23A5 REPL)						
	-----			-	***** (ATTACHING PARTS) *****						
-74	211-0162-01			7	.SCREW,MACHINE:2-56 X 0.188 INCH,SCH,SST					000AH	OBD
-75	210-1008-00			7	.WASHER,FLAT:0.09 ID X 0.188" OD,BRS ***** (END ATTACHING PARTS) *****					12360	OBD
	-----			-	.CKT BOARD ASSY INCLUDES:						

Replaceable Mechanical Parts
492/492P Service Vol. 2 (B030000 & Up)

Fig. & Index No.	Tektronix Part No.	Serial/Model No. Eff	Dscont	Qty	1 2 3 4 5	Name & Description	Mfr Code	Mfr Part Number
5-76	175-2462-00			2		..CABLE ASSY,RF:50 OHM COAX,2.3 INCH LONG	80009	175-2462-00
-77	175-2463-00			2		..CABLE ASSY,RF:50 OHM COAX,1.97 IN LONG	80009	175-2463-00
	175-2421-00			1		..CABLE ASSY,RF:50 OHM COAX,0.395 L	80009	175-2421-00
-78	-----			1		..CKT BD ASSY:829MHZ AMP(SEE A23A5 REPL)(ATTACHING PARTS).....		
-79	211-0162-01			4		..SCREW,MACHINE:2-56 X 0.188 INCH,SCH,SST	000AH	OBD
-80	210-1008-00			4		..WASHER,FLAT:0.09 ID X 0.188" OD,BRS(END ATTACHING PARTS).....	12360	OBD
	-----			-		..CKT BOARD ASSY INCLUDES:		
-81	175-2444-00			1		..CA ASSY,SP,ELEC:6.0 INCH LONG	80009	175-2444-00
-82	214-0579-00			1		..TERM,TEST POINT:BRS CD PL	80009	214-0579-00
-83	131-1003-00			1		..CONN,RCPT,ELEC:CKT BD MT,3 PRONG	80009	131-1003-00
-84	136-0252-04			1		..SCKT,PIN TERM:U/W 0.016-0.018 DIA PINS	22526	75060-007
-85	-----			1		..CKT BOARD ASSY:829MHX DIPLEXER(SEE A23A4 REPL)(ATTACHING PARTS).....		
-86	211-0162-01			5		..SCREW,MACHINE:2-56 X 0.188 INCH,SCH,SST	000AH	OBD
-87	210-1008-00			5		..WASHER,FLAT:0.09 ID X 0.188" OD,BRS(END ATTACHING PARTS).....	12360	OBD
-88	343-0144-00			1		..CLAMP,LOOP:0.125 INCH ID,BLK NYLON(ATTACHING PARTS).....	95987	1-8-2
-89	211-0200-01			1		..SCREW,CAP:4-40 X 0.250,SCH,SST	000BK	OBD
-90	210-0054-00			1		..WSHR,LOCK:SPLIT,0.118 ID X 0.212"OD STL	83385	OBD
	175-2900-00			1		..CA ASSY,SP,ELEC:6.26 AWG,7.0 L,RIBBON(END ATTACHING PARTS).....	80009	175-2900-00
-91	210-0261-00			1		..TERMINAL,LUG:0.14 ID,PLAIN,BRASS(ATTACHING PARTS).....	80009	210-0261-00
-92	211-0200-01			1		..SCREW,CAP:4-40 X 0.250,SCH,SST(END ATTACHING PARTS).....	000BK	OBD
-93	200-2334-01			1		..COVER,CONVERTER:829MHZ, TOP(ATTACHING PARTS).....	80009	200-2334-01
-94	211-0162-01			39		..SCREW,MACHINE:2-56 X 0.188 INCH,SCH,SST(END ATTACHING PARTS).....	000AH	OBD
-95	-----			1		..CKT BOARD ASSY:HARMONIC MIXER(SEE A23A3 REPL)(ATTACHING PARTS).....		
-96	211-0162-01			5		..SCREW,MACHINE:2-56 X 0.188 INCH,SCH,SST	000AH	OBD
-97	210-1008-00			5		..WASHER,FLAT:0.09 ID X 0.188" OD,BRS(END ATTACHING PARTS).....	12360	OBD
	-----			-		..CKT BOARD ASSY INCLUDES:		
-98	136-0263-04			2		..SOCKET,PIN TERM:FOR 0.025 INCH SQ PIN	22526	75377-001
-99	131-1612-03			5		..TERM,FDTHRU:U-SHP,0.3 L X 0.35 L X 0.25	80009	131-1612-03
-100	-----			1		..CKT BOARD ASSY:OSC MIXER(SEE A23A1 REPL)(ATTACHING PARTS).....		
-101	211-0162-01			4		..SCREW,MACHINE:2-56 X 0.188 INCH,SCH,SST	000AH	OBD
-102	210-1008-00			4		..WASHER,FLAT:0.09 ID X 0.188" OD,BRS(END ATTACHING PARTS).....	12360	OBD
	-----			-		..CKT BOARD ASSY INCLUDES:		
-103	131-1003-00			1		..CONN,RCPT,ELEC:CKT BD MT,3 PRONG	80009	131-1003-00
-104	136-0252-04			1		..SOCKET,PIN TERM:U/W 0.016-0.018 DIA PIN	22526	75060-007
-105	214-0579-00			1		..TERM,TEST POINT:BRS CD PL	80009	214-0579-00
-106	136-0263-04			4		..SOCKET,PIN TERM:FOR 0.025 INCH SQ PIN	22526	75377-001
	342-0202-00			1		..INSULATOR,PLATE:TRANSISTOR	01295	10-21-023-106
-107	-----			1		..CKT BOARD ASSY:25MHZ PHAZ LOCK(SEE A23A2 REPL)(ATTACHING PARTS).....		
-108	211-0162-01			3		..SCREW,MACHINE:2-56 X 0.188 INCH,SCH,SST	000AH	OBD
-109	210-1008-00			3		..WASHER,FLAT:0.09 ID X 0.188" OD,BRS(END ATTACHING PARTS).....	12360	OBD
	-----			-		..CKT BOARD ASSY INCLUDES:		
-110	136-0263-04			4		..SOCKET,PIN TERM:FOR 0.025 INCH SQ PIN	22526	75377-001
-111	214-0579-00			1		..TERM,TEST POINT:BRS CD PL	80009	214-0579-00
-112	131-2017-00			3		..CONN,RCPT,ELEC:SMA FEMALE,FLANGE MOUNT(ATTACHING PARTS).....	24931	39JR152-1
-113	211-0261-01			6		..SCREW,MACHINE:2-56 X 0.125 HEX SCH,SST(END ATTACHING PARTS).....	000CY	OBD
-114	131-1170-00			3		..CONN,RCPT,ELEC:SNAP-ON,MALE	98291	51-045-0249

Replaceable Mechanical Parts
492/492P Service Vol. 2 (B030000 & Up)

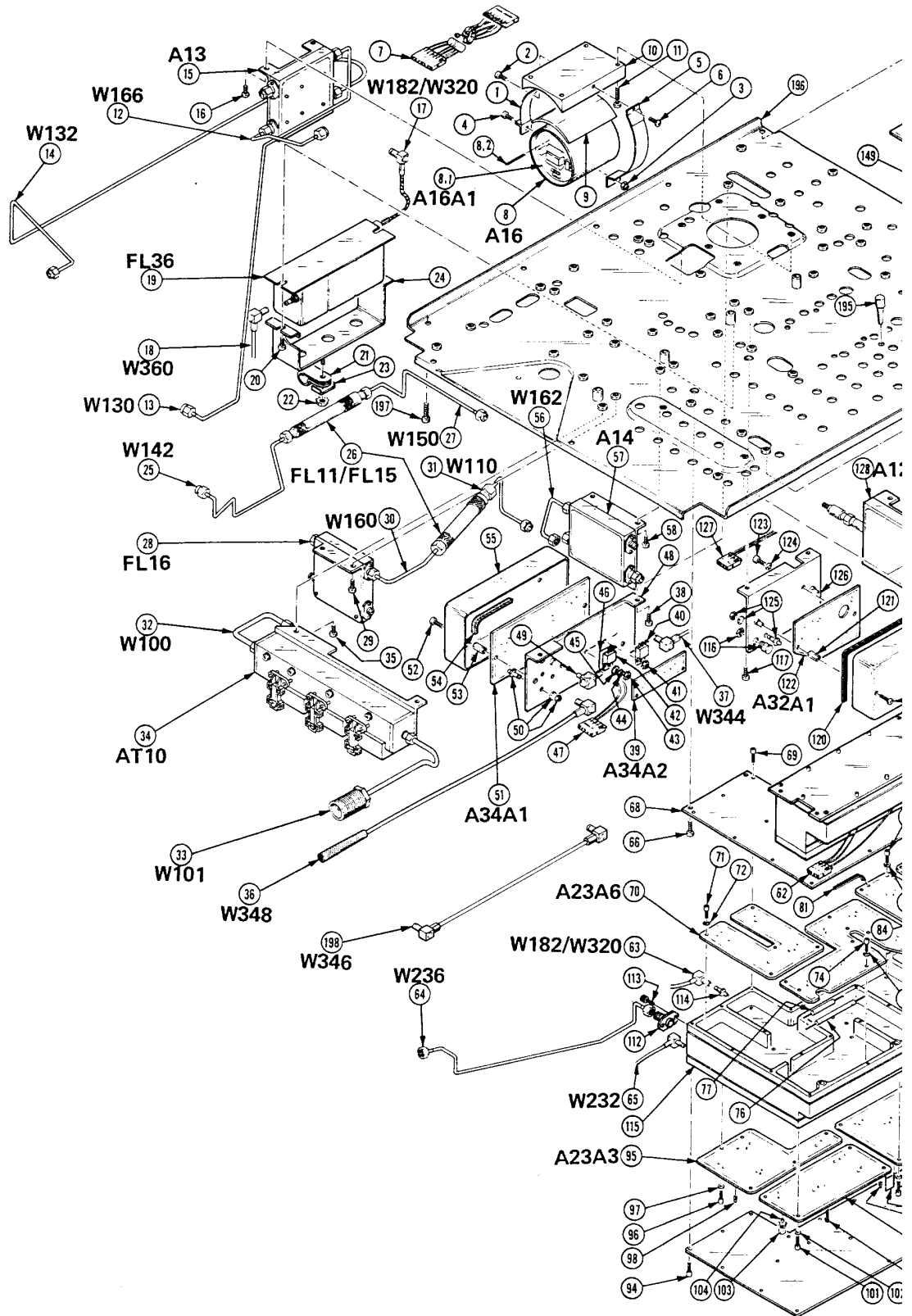
Fig. & Index No.	Tektronix Part No.	Serial/Model No.		Qty	1 2 3 4 5	Name & Description	Mfr Code	Mfr Part Number
		Eff	Dscont					
5-115	380-0567-00			1		.HOUSING, CONV BD: SECOND, AL	80009	380-0567-00
-116	-----			3		TERM., COAXIAL: (SEE P133, P144,		
	-----			-		P145, P164 REPL)		
	-----			1		FILTER, AMP: (SEE A32 REPL)		
	-----					***** (ATTACHING PARTS) *****		
-117	211-0008-01			2		SCREW, MACHINE: 4-40 X 0.250, PNH, STL, CD PL	83385	OBD
	-----			-		***** (END ATTACHING PARTS) *****		
	-----					AMP FILTER ASSY INCLUDES:		
-118	337-2575-01			1		.SHIELD, ELEC: CIRCUIT BOARD	80009	337-2575-01
	-----					***** (ATTACHING PARTS) *****		
-119	211-0012-01			2		SCREW, MACHINE: 4-40 X 0.375, PNH, STL, CD PL	83385	OBD
	-----					***** (END ATTACHING PARTS) *****		
-120	255-0678-00			FT		.PLASTIC, EXTR: GROMMET, BLACK	80009	255-0678-00
-121	129-0236-00			2		.SPACER, POST: 0.188 HEX X 0.375 INCH LONG	06540	9726-A-0440
-122	-----			1		.CKT BOARD ASSY: 110 I.F. AMP		
	-----			-		(SEE A32A1 REPL)		
	-----					***** (ATTACHING PARTS) *****		
-123	211-0007-01			1		.SCREW, MACHINE: 4-40 X 0.188 INCH, PNH, STL	83385	OBD
-124	210-1122-00			1		.WASHER, LOCK: 0.12 ID, DISHED, 0.025 THK	86928	OBD
	-----					***** (END ATTACHING PARTS) *****		
-125	131-0938-00			2		.CONNECTOR, RCPT.: 50 OHM MALE SNAP-ON	98291	051-043-0349
-126	407-2148-00			1		.BRACKET, ANGLE: IF AMPLIFIER, ALUMINUM	80009	407-2148-00
-127	175-2369-00			1		.CA ASSY, SP, ELEC: 5.0 INCH LONG, RIBBON	80009	175-2369-00
	352-0162-00			1		.HLDR, TERM CONN: 4 WIRE BLACK	80009	352-0162-00
-128	-----			1		FIRST CONV: (SEE A12 REPL)		
	-----					***** (ATTACHING PARTS) *****		
-129	211-0007-01			2		SCREW, MACHINE: 4-40 X 0.188 INCH, PNH, STL	83385	OBD
	-----					***** (END ATTACHING PARTS) *****		
-130	-----			1		CABLE ASSY, RF: (SEE W137 REPL)		
-131	210-0845-00			1		.WASHER, FLAT: 0.500 ID X 0.625 IN OD, STL	89663	634-R
-132	-----			1		CABLE ASSY, RF: (SEE W138 REPL)		
	-----			-		(NOT INCLUDED IN OPTION 8)		
-133	-----			1		CABLE ASSY, RF: (SEE W124 REPL)		
	-----			-		(NOT INCLUDED IN OPTION 8)		
-134	-----			1		LIMITER ASSY: (SEE S13 REPL)		
	-----			-		(NOT INCLUDED IN OPTION 8)		
	-----					***** (ATTACHING PARTS) *****		
-135	210-0405-00			2		NUT, PLAIN, HEX.: 2-56 X 0.188 INCH, BRS	73743	12157-50
	-----			-		(NOT INCLUDED IN OPTION 8)		
-136	210-0001-00			1		.WASHER, LOCK: INTL, 0.092 ID X 0.18" OD, ST	78189	1202-00-00-0541C
	-----			-		(NOT INCLUDED IN OPTION 8)		
-137	211-0003-00			2		SCREW, MACHINE: 2-56 X 0.875 IN, PNH, STL	83385	OBD
	-----			-		(NOT INCLUDED IN OPTION 8)		
-138	210-0259-00			1		TERMINAL, LUG: 0.099" ID INT TOOTH, SE	80009	210-0259-00
	-----			-		(NOT INCLUDED IN OPTION 8)		
	-----					***** (END ATTACHING PARTS) *****		
-139	175-3085-00			1		CA ASSY, SP, ELEC: 4.5 INCH LONG	80009	175-3085-00
-140	407-2390-01			1		BRACKET, ELEC SW:	80009	407-2390-00
	-----					***** (ATTACHING PARTS) *****		
-141	211-0008-00			2		SCREW, MACHINE: 4-40 X 0.250, PNH, STL, CD PL	83385	OBD
	-----					***** (END ATTACHING PARTS) *****		
-142	-----			1		CABLE ASSY, RF: (SEE W200 REPL)		
-143	-----			1		CABLE ASSY, RF: (SEE W202 REPL)		
-144	175-3080-00			1		CA ASSY, SP, ELEC: 6.26 AWG, 4.0 L	80009	175-3080-00
-145	-----			1		OSCILLATOR, RF: (SEE A20 REPL)		
	-----					***** (ATTACHING PARTS) *****		
-146	211-0008-01	B030000	B039999	2		SCREW, MACHINE: 4-40 X 0.250, PNH, STL, CD PL	83385	OBD
-147	211-0007-01	B030000	B039999	2		SCREW, MACHINE: 4-40 X 0.188 INCH, PNH, STL	83385	OBD
	-----					***** (END ATTACHING PARTS) *****		
-148	-----			1		CKT BOARD ASSY: SHAPER/BIAS (SEE A21 REPL)		
	-----					***** (ATTACHING PARTS) *****		
-149	211-0097-00	B030000	B039999	4		SCREW, MACHINE: 4-40 X 0.312 INCH, PNH, STL	83385	OBD
-150	210-1002-00	B030000	B039999	2		.WASHER, FLAT: 0.125 ID X 0.25 INCH OD, BRS	12327	OBD
	-----					***** (END ATTACHING PARTS) *****		
	-----					CKT BOARD ASSY INCLUDES:		
-151	131-0608-00	B030000	B039999	13		.TERMINAL, PIN: 0.365 L X 0.025 PH BRZ GOLD	22526	47357

Replaceable Mechanical Parts
492/492P Service Vol. 2 (B030000 & Up)

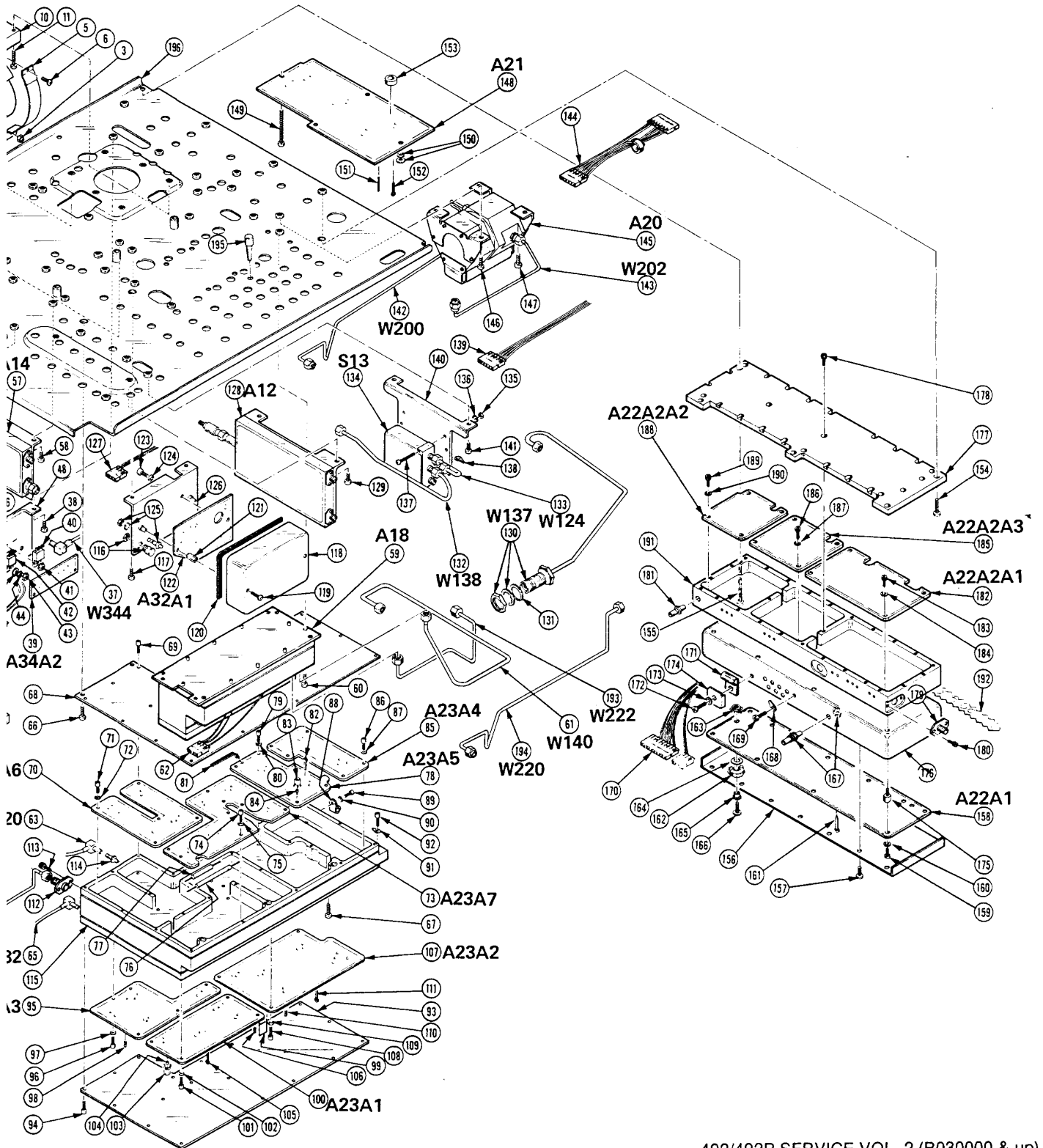
Fig. & Index No.	Tektronix Part No.	Serial/Model No.		Qty	1 2 3 4 5	Name & Description	Mfr Code	Mfr Part Number
5-152	214-0579-00	B030000	B039999	3		.TERM,TEST POINT:BRS CD PL	80009	214-0579-00
-153	361-0122-00	B030000	B039999	4		.SPACER,SLEEVE:0.125 L X 0.12 ID BRS	80009	361-0122-00
	-----			1		PH LOCK 2ND LO:(SEE A22 REPL) ***** (ATTACHING PARTS) *****		
-154	211-0012-01			4		SCREW,MACHINE:4-40 X 0.375,PNH STL CD PL	83385	OBD
-155	211-0628-00			1		SCREW,MACHINE:6-32 X 1.125 INCH,PNH,STL ***** (END ATTACHING PARTS) *****	83385	OBD
	-----			-		PHASE LOCK 2ND LO ASSY INCLUDES:		
-156	200-2611-00			1		.COVER,2ND LO:PHASE LOCKED CONTROL ***** (ATTACHING PARTS) *****	80009	200-2611-00
-157	211-0005-00			14		.SCREW,MACHINE:4-40 X 0.125 INCH,PNH STL ***** (END ATTACHING PARTS) *****	83385	OBD
-158	-----			1		.CKT BOARD ASSY:16-20HZ PHASE LOCK - (SEE A22A1 REPL)		
-159	211-0196-00			8		.SCREW,MACHINE:4-40 X 0.188,SCH,HEX,STL	000AH	OBD
-160	210-1002-00			8		.WASHER,FLAT:0.125 ID X 0.25 INCH OD,BRS	12327	OBD
	-----			-		.CKT BOARD ASSY INCLUDES:		
-161	214-0579-00			12		.TERM,TEST POINT:BRS CD PL	80009	214-0579-00
-162	-----			1		.TRANSFORMER,RF:(SEE T2092 REPL) ***** (ATTACHING PARTS) *****		
-163	210-0586-00			1		.NUT,PL,ASSEM WA:4-40 X 0.25,STL	83385	OBD
-164	210-0894-00			1		.WSHR,NONMETAL:0.19 ID X 0.438" OD,PLSTC	09422	OBD
-165	210-1171-00			1		.WSHR,SHOULDERED:0.116 ID X 0.138 INCH OD	52905	A7148516P2
-166	211-0036-00			1		.SCREW,MACH:4-40 X 0.500,BDGH,NYL,SLOT ***** (END ATTACHING PARTS) *****	26365	921-4120-0014
-167	131-0372-00			1		.CONNECTOR,RCPT,COAXIAL	98291	51-043-4300
-168	210-0261-00			1		.TERMINAL,LUG:0.14 ID,PLAIN,BRASS ***** (ATTACHING PARTS) *****	80009	210-0261-00
-169	211-0005-00			1		.SCREW,MACHINE:4-40 X 0.125 INCH,PNH STL ***** (END ATTACHING PARTS) *****	83385	OBD
-170	175-3952-00			1		.CA ASSY,SP,ELEC:9.26 AWG,7.5 L,RIBBON	80009	175-3952-00
	134-0153-00			2		.KEY,PLZN CONN:MINI LATCH HSG	80009	134-0153-00
	352-0162-00			1		.HLDR,TERM CONN:4 WIRE BLACK	80009	352-0162-00
	352-0168-00			1		.CONN BODY,PL,EL:10 WIRE BLACK	80009	352-0168-00
-171	343-0002-00			1		.CLAMP,LOOP:0.188 INCH DIA ***** (ATTACHING PARTS) *****	95987	3-16-6B
-172	211-0097-01			1		.SCREW,MACHINE:4-40 X 0.312 INCH,PNH STL	83385	OBD
-173	210-1002-00			1		.WASHER,FLAT:0.125 ID X 0.25 INCH OD,BRS	12327	OBD
-174	210-0863-00			1		.WSHR,LP CLAMP:0.187 ID U/W 0.5 W CLP,STL ***** (END ATTACHING PARTS) *****	95987	C191
-175	129-0889-00			8		.SPACER,POST:0.4 L W/4-40 INT & EXT THD	80009	129-0889-00
-176	380-0664-00			1		.HOUSING,2ND LO:PHASE LOCKED CONTROL	80009	380-0664-00
	-----			1		.PH LOCK L.O. CONT:(SEE A22A2 REPL)		
-177	200-2610-00			1		.COVER,2ND LO:PHASE LOCKED,AL ***** (ATTACHING PARTS) *****	80009	200-2610-00
-178	211-0256-00			26		.SCREW,CAP:2-56 X 0.25,HEX SCH,SST ***** (END ATTACHING PARTS) *****	000CY	OBD
-179	131-2017-00			2		.CONN,RCPT,ELEC:SMA FEMALE,FLANGE MOUNT ***** (ATTACHING PARTS) *****	24931	39JR152-1
-180	211-0261-01			4		.SCREW,MACHINE:2-56 X 0.125 HEX SCH,SST ***** (END ATTACHING PARTS) *****	000CY	OBD
-181	131-1170-00			1		.CONN,RCPT,ELEC:SNAP-ON,MALE	98291	51-045-0249
-182	-----			1		.CKT BOARD ASSY:2182MHZ MICROSTRIP OSC - (SEE A22A2A1 REPL) ***** (ATTACHING PARTS) *****		
-183	211-0162-01			6		.SCREW,MACHINE:2-56 X 0.188 INCH,SCH,SST	000AH	OBD
-184	210-1008-00			6		.WASHER,FLAT:0.09 ID X 0.188" OD,BRS ***** (END ATTACHING PARTS) *****	12360	OBD
-185	-----			1		.CKT BOARD ASSY:2200MHZ REF MIXER - (SEE A22A2A3 REPL) ***** (ATTACHING PARTS) *****		
-186	211-0162-01			4		.SCREW,MACHINE:2-56 X 0.188 INCH,SCH,SST	000AH	OBD

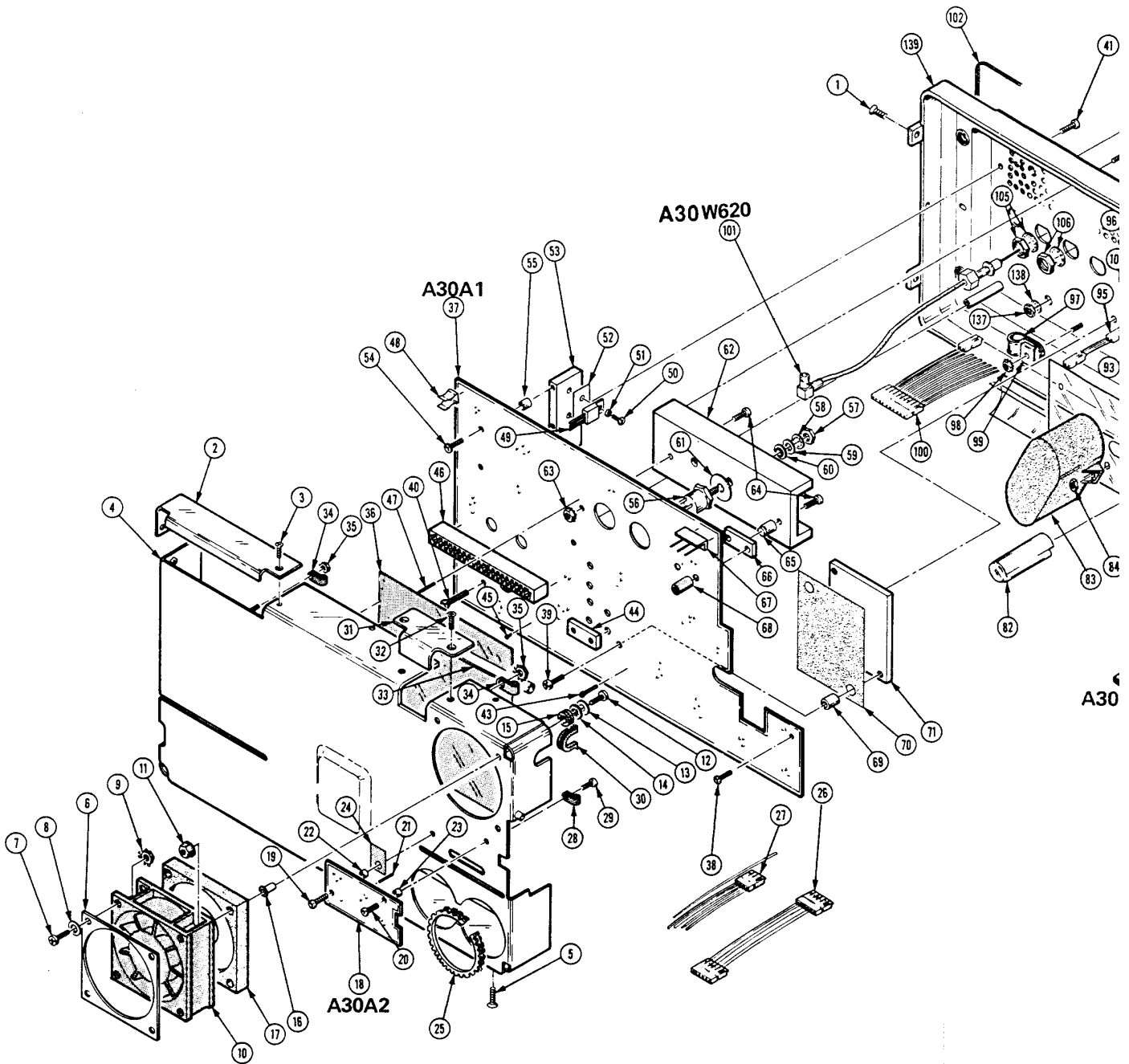
Replaceable Mechanical Parts
492/492P Service Vol. 2 (B030000 & Up)

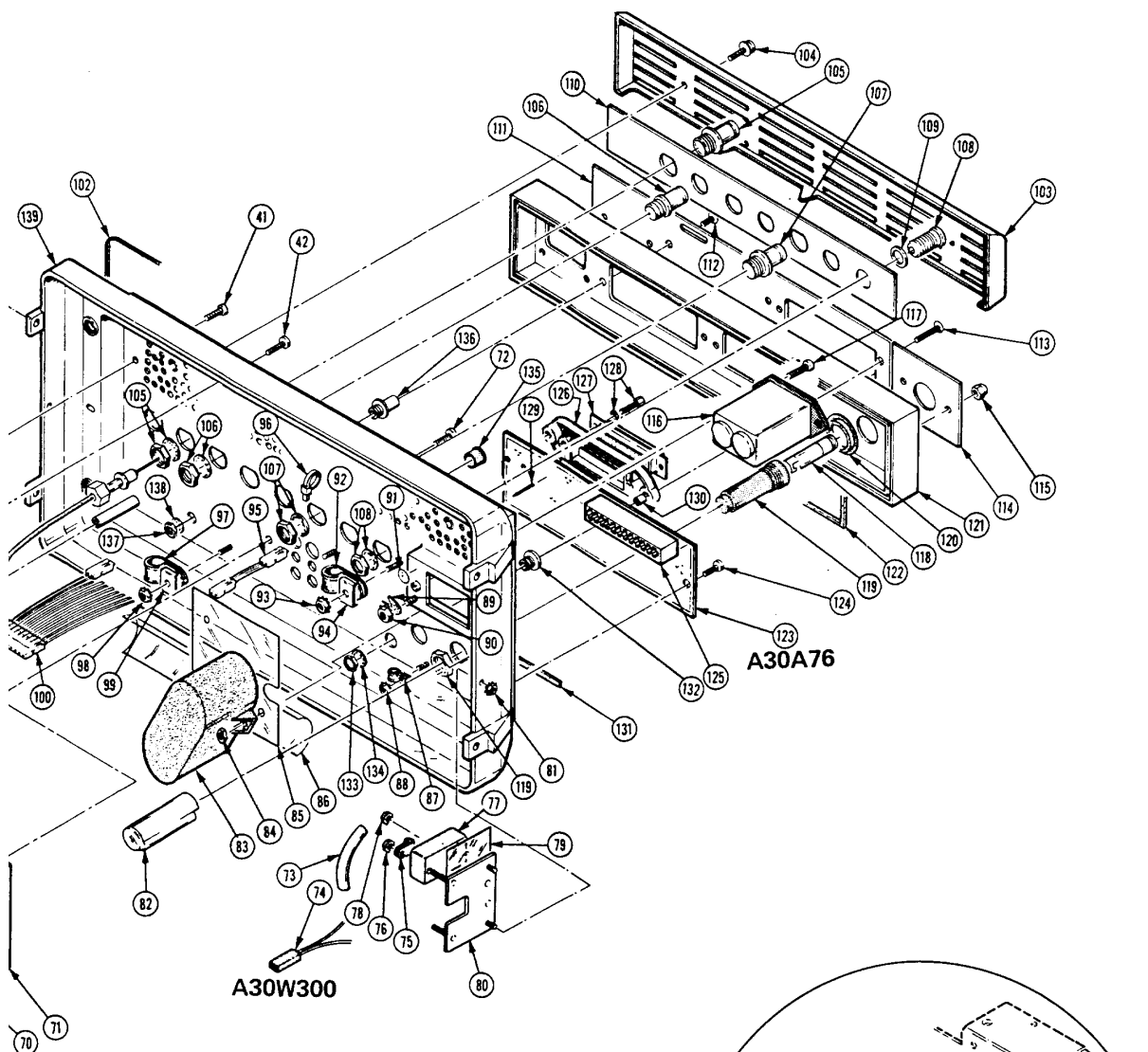
Fig. & Index No.	Tektronix Part No.	Serial/Model No.		Qty	1 2 3 4 5	Name & Description	Mfr	
		Eff	Dscont				Code	Mfr Part Number
5-187	210-1008-00			4		..WASHER,FLAT:0.09 ID X 0.188" OD,BRS(END ATTACHING PARTS).....	12360	OBD
-188	-----			1		..CKT BOARD ASSY:2200MHZ REF ..(SEE A22A2A2 REPL)(ATTACHING PARTS).....		
-189	211-0162-01			4		..SCREW,MACHINE:2-56 X 0.188 INCH,SCH,SST	000AH	OBD
-190	210-1008-00			4		..WASHER,FLAT:0.09 ID X 0.188" OD,BRS(END ATTACHING PARTS).....	12360	OBD
-191	380-0665-00			1		..HOUSING,2ND LO:PHASE LOCKED	80009	380-0665-00
-192	348-0750-01	B041540		2		..GASKET:PHASE LOCKED 2ND LO ..(492 ONLY)	80009	348-0750-01
	348-0750-01	B041725		2		..GASKET:PHASE LOCKED 2ND LO ..(492P ONLY)	80009	348-0750-01
-193	-----			1		(SEE W222 REPL)		
-194	-----			1		(SEE W220 REPL)		
-195	348-0089-00			7		BUMPER,PLASTIC:BLACK VINYL	80009	348-0089-00
-196	441-1443-00	B030000	B031169	1		CHASSIS,SA:RADIO FREQUENCY COMPONENTS (492 ONLY)	80009	441-1443-00
	441-1443-01	B031170		1		CHASSIS,SA:RADIO FREQUENCY COMPONENTS (492 ONLY)	80009	441-1443-01
	441-1443-00	B011000	B011214	1		CHASSIS,SA:RADIO FREQUENCY COMPONENTS (492P ONLY)	80009	441-1443-00
	441-1443-01	B011215		1		CHASSIS,SA:RADIO FREQUENCY COMPONENTS (492P ONLY)(ATTACHING PARTS).....	80009	441-1443-01
-197	211-0507-01			7		SCREW,MACHINE:6-32 X 0.312 INCH,PNH STL(END ATTACHING PARTS).....	83385	OBD
-198	-----			1		CABLE ASSY,RF:(SEE W346 REPL)		



REV JUN 1982







REV MAY 1983

Replaceable Mechanical Parts
492/492P Service Vol. 2 (B030000 & Up)

Fig. & Index No.	Tektronix Part No.	Serial/Model No.		Qty	1 2 3 4 5	Name & Description	Mfr Code	Mfr Part Number
		Eff	Dscont					
6.	-----			1		POWER SUPPLY:(SEE A30 REPL) ***** (ATTACHING PARTS) *****		
-1	212-0650-00			4		SCREW,MACHINE:10-32 X 0.437" 100 DEG,FLH ***** (END ATTACHING PARTS) *****	83385	OBD
-2	200-2221-00			1		POWER SUPPLY INCLUDES: .COVER,ACCESS:REAR PANEL CONN,BOTTOM ***** (ATTACHING PARTS) *****	80009	200-2221-00
-3	211-0105-01			2		SCREW,MACH:4-40 X 0.188,100 DEG,FLH STL ***** (END ATTACHING PARTS) *****	83385	OBD
-4	337-2553-01	B030000	B042719	1		.SHIELD,ELEC:POWER SUPPLY	80009	337-2553-01
	337-2553-03	B042720		1		.SHIELD,ELEC: ***** (ATTACHING PARTS) *****		
-5	211-0101-01			6		SCREW,MACH:4-40 X 0.25,100 DEG,FLH STL ***** (END ATTACHING PARTS) *****	83385	OBD
-6	386-4595-00	B030000	B042719	2		.PLATE,FAN:2.6 SQ X 0.08,LEAD ***** (ATTACHING PARTS) *****	80009	386-4595-00
-7	211-0097-01	B030000	B042719	4		SCREW,MACHINE:4-40 X 0.312 INCH,PNH STL	83385	OBD
-8	210-0851-00	B030000	B042719	4		WASHER,FLAT:0.119 ID X 0.375 INCH OD,ST	12327	OBD
-9	210-0586-00	B030000	B042719	4		NUT,PL,ASSEM WA:4-40 X 0.25,STL ***** (END ATTACHING PARTS) *****	83385	OBD
-10	-----			1		.FAN,TUBEAXIAL:(SEE A30B100 REPL) ***** (ATTACHING PARTS) *****		
-11	220-0665-00	B030000	B042719	2		NUT,PLAIN,HEX.:SLFLKG,4-40 X 0.25",PLSTC	23050	OBD
-12	211-0018-00	B030000	B042719	2		SCREW,MACHINE:4-40 X 0.625 INCH,PNH STL	83385	OBD
-13	210-0851-00	B030000	B042719	2		WSHR,FLAT:0.119 ID X 0.375 INCH OD,STL	12327	OBD
-14	210-1350-00	B030000	B042719	2		WASHER,FLAT:0.149 ID X 0.062 THK,0.038 ***** (END ATTACHING PARTS) *****	86928	5613-19-62
-15	348-0093-00	B030000	B042719	2		GROMMET,RUBBER:0.375 INCH	70485	MOLDCM6368
-16	210-0774-01	B030000	B042719	2		EYELET,METALLIC:0.152 OD X 0.218 L,BRASS	57771	OBD
-17	361-1099-00	B030000	B042719	1		SPACER,FAN:2.6 SQ X 0.125 THK,FOAM	80009	361-1099-00
17.1	426-1920-00	B042720		4		MOUNT,RESILIENT:FAN SILICONE RUBBER	80009	407-2927-00
17.2	407-2927-00	B042720		2		BRACKET,CMPNT:FAN,ALUMINUM ***** (ATTACHING PARTS) *****		
17.3	210-0406-00	B042720		4		NUT,PLAIN,HEX.:4-40 X 0.188 INCH,BRS	73743	12161-50
17.4	210-0054-00			4		WSHR,LOCK:SPLIT,0.118 ID X 0.212" OD STL ***** (END ATTACHING PARTS) *****	83385	OBD
-18	-----			1		.CKT BOARD ASSY:FAN DRIVE(SEE A30A2 REPL) ***** (ATTACHING PARTS) *****		
-19	211-0198-00			1		SCREW,MACHINE:4-40 X 0.438 PNH,STL,POZ	77250	OBD
-20	210-1133-00			1		WASHER,FLAT:0.142 ID X 0.058 THK,FBR ***** (END ATTACHING PARTS) *****	80009	210-1133-00
-21	-----			-		.CKT BOARD ASSY INCLUDES:		
-22	131-0608-00			9		.TERMINAL,PIN:0.365 L X 0.025 PH BRZ GLD	22526	47357
-23	361-0552-00			1		SPACER,SLEEVE:0.093 L X 0.126 ID BRS ID	76854	3-5116-322
-24	361-0994-00			1		SPACER,SLEEVE:0.116 ID X 0.195 INCH LONG	80009	361-0994-00
-25	342-0354-00			2		INSULATOR,PLATE:TRANSISTOR,SILICON RBR	000BB	7403-10-52
-26	255-0334-00			2		.PLSTC CHANNEL:12.75 X 0.175 X 0.155,NYL	11897	122-37-2500
-27	175-3557-00			1		CA ASSY,SP,ELEC:5,26 AWG,18.0 L,RIBBON	80009	175-3557-00
	352-0164-03			1		.CONN BODY,PL,EL:6 WIRE ORANGE	80009	352-0164-03
	352-0164-06			1		.CONN BODY,PL,EL:6 WIRE BLUE	80009	352-0164-06
-28	175-3159-00			1		CA ASSY,SP,ELEC:6.0 INCH LONG,RIBBON	80009	175-3159-00
	352-0162-04			1		.CONN BODY,PL,EL:4 WIRE YELLOW	80009	352-0162-04
-29	343-0144-00			1		.CLAMP,LOOP:0.125 INCH ID,BLK NYLON ***** (ATTACHING PARTS) *****	95987	1-8-2
-30	211-0008-01			1		SCREW,MACHINE:4-40 X 0.250,PNH,STL,CD PL ***** (END ATTACHING PARTS) *****	83385	OBD
-31	348-0171-00			1		GROMMET,PLASTIC:U-SHAPED	80009	348-0171-00
-32	200-2512-00			1		.COVER,ACCESS:LINE VOLTAGE ***** (ATTACHING PARTS) *****	80009	200-2512-00
-33	211-0105-01			2		SCREW,MACH:4-40 X 0.188,100 DEG,FLH STL ***** (END ATTACHING PARTS) *****	83385	OBD

Replaceable Mechanical Parts
492/492P Service Vol. 2 (B030000 & Up)

Fig. & Index No.	Tektronix Part No.	Serial/Model No. Eff	Dscont	Qty	1	2	3	4	5	Name & Description	Mfr Code	Mfr Part Number
6-33	162-0018-00			1						..INSUL SLVG,ELEC:0.208 ID,VINYL	96904	OBD
-34	343-0144-00			1						..CLAMP,LOOP:0.125 INCH ID,BLK NYLON(ATTACHING PARTS).....	95987	1-8-2
-35	210-0586-00			1						..NUT,PL,ASSEM WA:4-40 X 0.25,STL(END ATTACHING PARTS).....	83385	OBD
-36	342-0466-00			1						..INSULATOR,FILM:SHIELD,POLYESTER	80009	342-0466-00
-37	-----			1						..CKT BOARD ASSY:MAIN PWR SUPPLY (SEE A30A1 REPL)(ATTACHING PARTS).....		
-38	211-0510-00			3						..SCREW,MACHINE:6-32 X 0.375,PNH,STL,CD PL	83385	OBD
-39	211-0014-00			2						..SCREW,MACHINE:4-40 X 0.50 INCH,PNH STL	83385	OBD
-40	211-0514-00			2						..SCREW,MACHINE:6-32 X 0.750 INCH,PNH STL	83385	OBD
-41	211-0012-01			2						..SCREW,MACHINE:4-40 X 0.375,PNH STL CD PL	83385	OBD
-42	211-0097-01			6						..SCREW,MACHINE:4-40 X 0.312 INCH,PNH STL(END ATTACHING PARTS).....	83385	OBD
-	-----			-						..CKT BOARD ASSY INCLUDES:		
-43	214-0579-00			3						..TERM,TEST POINT:BRS CD PL	80009	214-0579-00
-44	214-2770-00			3						..HEAT SINK,DIODE:(2) DO-4,AL	80009	214-2770-00
-45	136-0388-00			2						..SOCKET,PIN TERM:U/W 0.04 DIA PIN	71279	450-3704-01-0300
-46	131-2324-00			1						..CONN,RCPT,ELEC:CKT BD,20/40 CONT,FEMALE	31781	307-040-526-300
-47	131-0608-00			18						..TERMINAL,PIN:0.365 L X 0.025 PH BRZ GLD	22526	47357
-48	344-0326-00			10						..CLIP,ELECTRICAL:FUSE,BRASS	75915	102071
-49	-----			3						..TRANSISTOR:(SEE Q2021,Q2024, ..Q3022 REPL)(ATTACHING PARTS).....		
-50	211-0007-01			3						..SCREW,MACHINE:4-40 X 0.188 INCH,PNH STL	83385	OBD
-51	210-1171-00			3						..WSHR,SHOULDERED:0.116 ID X 0.138 IN OD(END ATTACHING PARTS).....	52905	A7148516P2
-52	342-0354-00			3						..INSULATOR,PLATE:TRAN,SILICON RUBBER	000BB	7403-10-52
-53	214-2863-00			1						..HEAT SINK,XSTR:(ATTACHING PARTS).....	80009	214-2863-00
-54	211-0014-00			2						..SCREW,MACHINE:4-40 X 0.50 INCH,PNH STL(END ATTACHING PARTS).....	83385	OBD
-55	361-0345-00			2						..SPR,SLEEVE:0.17 L X 0.125 ID,ALUMINUM	80009	361-0345-00
-56	-----			2						..TRANSISTOR:(SEE Q2061,Q2071 REPL)(ATTACHING PARTS).....		
-57	210-0455-00			2						..NUT,PLAIN,HEX.:0.25-28 X 0.375 IN,BRASS	73743	3089-402
-58	210-0046-00			2						..WASHER,LOCK:0.261 ID,INTL,0.018 THK,BRS	78189	1214-05-00-0541C
-59	210-1027-00			2						..WASHER,FLAT:0.252 ID X 0.624 THK X 0.40	80009	210-1027-00
-60	210-1355-00			2						..WSHR,SHLDR:0.255 ID X 0.6 OD X 0.19 THK	80009	210-1355-00
-61	342-0517-00			2						..INSULATOR,WSHR:0.26 ID X 1.0 OD,MICA(END ATTACHING PARTS).....	13103	56-02-28
-62	214-2972-01	B030000	B042827	1						..HEAT SINK,XSTR:	80009	214-2972-01
	214-2972-02	B042828		1						..HEAT SINK,XSTR:TO-61 AL(ATTACHING PARTS).....	80009	214-2972-02
-63	210-0457-00			1						..NUT,PL,ASSEM WA:6-32 X 0.312,STL CD PL	83385	OBD
-64	211-0507-00			2						..SCREW,MACHINE:6-32 X 0.312 INCH,PNH STL(END ATTACHING PARTS).....	83385	OBD
-65	129-0575-00			2						..SPACER,PST:0.312 L,W/6-32 THD,BRS,0.312	80009	129-0575-00
-66	361-0933-00			3						..SPACER,DIODE:0.188 X 0.375 X 0.95	80009	361-0933-00
-67	131-2250-00			1						..CONN,RCPT,ELEC:CKT BD,5 MALE	27264	09-61-1053
-68	385-0100-00			1						..SPACER,POST:0.5 L W/6-32 THD THRU,NYLON	80009	385-0100-00
	346-0032-00			1						..STRAP,RTNG:0.075 DIA X 4.0 L,MLD RBR	98159	2859-75-4
-69	361-0917-00			2						..SPACER,SLEEVE:0.141 ID X 0.25 INCH LONG	80009	361-0917-00
-70	342-0566-00			1						..INSULATOR,PLATE:HEAT SINK,SILICON RUBBER	80009	342-0566-00
-71	214-3269-00			1						..HEAT SINK,DIODE:(ATTACHING PARTS).....	80009	214-3269-00
-72	211-0012-01			2						..SCREW,MACHINE:4-40 X 0.375,PNH STL CD PL(END ATTACHING PARTS).....	83385	OBD
-73	162-0039-00			1						..INSUL SLVG,ELEC:0.133 ID X 0.153 OD	56352	OBD
-74	-----			1						..WIRE SET,ELEC:(SEE A30W300 REPL)		
-75	343-0144-00			2						..CLAMP,LOOP:0.125 INCH ID,BLK NYLON(ATTACHING PARTS).....	95987	1-8-2
-76	210-0586-00			2						..NUT,PL,ASSEM WA:4-40 X 0.25,STL(END ATTACHING PARTS).....	83385	OBD

Replaceable Mechanical Parts
492/492P Service Vol. 2 (B030000 & Up)

Fig. & Index No.	Tektronix Part No.	Serial/Model No.		Qty	1	2	3	4	5	Name & Description	Mfr Code	Mfr Part Number
		Eff	Dscont									
6-77	----			2						.SWITCH,POWER:(SEE S300 REPL)(ATTACHING PARTS).....		
-78	210-0586-00			2						.NUT,PL,ASSEM WA:4-40 X 0.25,STL(END ATTACHING PARTS).....	83385	OBD
-79	342-0460-00			1						.INSULATOR,PLATE:POWER SWITCH,PLASTIC	80009	342-0460-00
-80	386-4102-00			1						.PLATE,MOUNTING:POWER SWITCH(ATTACHING PARTS).....	80009	386-4102-00
-81	210-0586-00			2						.NUT,PL,ASSEM WA:4-40 X 0.25,STL(END ATTACHING PARTS).....	83385	OBD
-82	200-0237-04			1						.COVER,FUSE HLDR:PLSTC,SAFETY CONTROLLED	80009	200-0237-04
-83	-----			1						.FILTER,RFI:(SEE FL302 REPL)(ATTACHING PARTS).....		
-84	210-0586-00			2						.NUT,PL,ASSEM WA:4-40 X 0.25,STL	83385	OBD
	210-0054-00	B030000	B042973	2						.WSHR,LOCK:SPLIT,0.118 ID X 0.212"OD STL	83385	OBD
	210-0004-00	B042974		2						.WASHER,LOCK:#4 INTL,0.015 THK,STL CD PL(END ATTACHING PARTS).....	000BK	OBD
-85	342-0570-00			1						.INSULATOR,FILM:TOROID ASSY	80009	342-0570-00
-86	342-0439-00			1						.INSULATOR,PLATE:CIRCUIT BOARD	80009	342-0439-00
-87	343-0144-00			1						.CLAMP,LOOP:0.125 INCH ID,BLK NYLON(ATTACHING PARTS).....	95987	1-8-2
-88	210-0586-00			1						.NUT,PL,ASSEM WA:4-40 X 0.25,STL(END ATTACHING PARTS).....	83385	OBD
-89	210-0202-00			1						.TERMINAL,LUG:0.146 ID,LOCKING,BRZ TINNED(ATTACHING PARTS).....	78189	2104-06-00-2520N
-90	210-0457-00			1						.NUT,PL,ASSEM WA:6-32 X 0.312,STL CD PL(END ATTACHING PARTS).....	83385	OBD
-91	334-3379-00			1						.MARKER,IDENT:MARKED GROUND SYMBOL	80009	334-3379-00
-92	343-0004-00			1						.CLAMP,LOOP:0.312 INCH DIAMETER,PLSTC(ATTACHING PARTS).....	95987	5-16-6B
-93	210-0586-00			1						.NUT,PL,ASSEM WA:4-40 X 0.25,STL	83385	OBD
-94	210-0863-00			1						.WSHR,LOOP CLP:0.187 ID U/W 0.5 W CLP,STL(END ATTACHING PARTS).....	95987	C191
-95	175-2480-00			1						.CA ASSY,SP,ELEC:11.0 INCH LONG,RIBBON	80009	175-2480-00
	352-0169-03			2						.CONN BODY,PL,EL:2 WIRE ORANGE	80009	352-0169-03
	343-0549-00			1						.STRAP,TIEDOWN:0.091 W X 3.62 INCH LONG	06383	PLT1M
-96	343-0549-00			1						.STRAP,TIEDOWN:0.091 W X 3.62 INCH LONG	06383	PLT1M
-97	343-0003-00			1						.CLAMP,LOOP:0.25 ID,PLASTIC(ATTACHING PARTS).....	95987	1-4-6B
-98	210-0586-00			1						.NUT,PL,ASSEM WA:4-40 X 0.25,STL	83385	OBD
-99	210-0863-00			1						.WSHR,LOOP CLP:0.187 ID U/W 0.5 W CLP,STL(END ATTACHING PARTS).....	95987	C191
-100	175-4131-00			1						.CA ASSY,SP,ELEC:13.0 INCH LONG,RIBBON	80009	175-4131-00
	352-0169-02			1						.CONN BODY,PL,EL:2 WIRE RED	80009	352-0169-00
	352-0168-00			1						.CONN BODY,PL,EL:10 WIRE BLACK	80009	352-0168-00
-101	-----			1						.CABLE ASSY,RF:(SEE W620 REPL)		
-102	337-0925-05			1						.SHLD,GSKT,ELEK:30.75 INCH LONG	80009	337-0925-05
-103	378-0112-00			1						.GRILLE,PLASTIC:(ATTACHING PARTS).....	80009	378-0112-00
-104	211-0601-00			2						.SCR,ASSEM WSHR:6-32 X 0.312,DOUBLE SEMS(END ATTACHING PARTS).....	83385	OBD
-105	131-0818-00			1						.CONNECTOR,RCPT.:BNC,FEMALE	91836	KC-19-153
-106	131-0106-02			4						.CONNECTOR,RCPT.:BNC	24931	28JR178-1
-107	131-0274-00			1						.CONNECTOR,RCPT.:BNC	91836	KC79-67
-108	131-0771-00			1						.CONN,RCPT,ELEC:4 CONT,QUICK DISCONNECT	91836	1904-2M58
-109	361-1045-00			1						.SPACER,SLEEVE:0.368 ID X 0.125	80009	361-1045-00
-110	333-2656-00			1						.PANEL,REAR:	80009	333-2656-00
-111	333-2647-01	B030000	B032509	1						.PANEL,REAR:	80009	333-2647-01
	333-2647-03	B032510		1						.PANEL,REAR:(ATTACHING PARTS).....	80009	333-2647-03
-112	211-0038-00			2						.SCREW,MACHINE:4-40 X 0.312,FLH,100 DEG	83385	OBD
-113	211-0086-00			2						.SCREW,MACH:4-40 X 0.75 100" DEG,FLH ST(END ATTACHING PARTS).....	83385	OBD

Replaceable Mechanical Parts
492/492P Service Vol. 2 (B030000 & Up)

Fig. & Index No.	Tektronix Part No.	Serial/Model No.		Qty	1 2 3 4 5	Name & Description	Mfr Code	Mfr Part Number
		Eff	Dscont					
6-114	386-3948-02			1		.PANEL,V SEL:(ATTACHING PARTS).....	80009	386-3948-02
-115	220-0601-00			2		.NUT,PLAIN,CAP.:4.40 X 0.25 INCH HEX,BRS(END ATTACHING PARTS).....	73743	93261-03
-116	-----			1		.FILTER,RFI:(SEE FL301 REPL)(ATTACHING PARTS).....		
-117	211-0012-01			2		.SCREW,MACHINE:4.40 X 0.375,PNH STL CD PL(END ATTACHING PARTS).....	83385	OBD
-118	200-2264-00			1		.CAP.,FUSEHOLDER:3AG FUSES	S3629	FEK 031 1666
-119	204-0833-00			1		.BODY,FUSEHOLDER:3AG & 5 X 20MM FUSES	S3629	031.1653(MDLFEU)
-120	348-0655-00			1		.GASKET,FUSE:	80009	348-0655-00
-121	380-0629-01			1		.HOUSING,REAR:CIRCUIT BOARD	80009	380-0629-01
-122	354-0607-00			1		.PACKING,PREFMD:7,315 ID X 0.062 OD	80009	354-0607-00
-123	-----			1		.CKT BOARD ASSY:ACCESS INTFC (SEE A30A76 REPL)(ATTACHING PARTS).....		
-124	211-0116-00			2		.SCR,ASSEM WSHR:4.40 X 0.312 INCH,PNH BRS(END ATTACHING PARTS).....	83385	OBD
-125	131-2323-00			-		.CKT BOARD ASSY INCLUDES:		
-126	348-0599-00			1		.CONN,RCPT,ELEC:CKT BD,12/24 CONT,FEMALE	31781	307-0204-526-300
-127	131-1437-00			1		.SEAL,CONNECTOR:ACCESSORY BUS,VINYL(ATTACHING PARTS).....	80009	348-0599-00
-128	131-0890-00			2		.LOCK,CONNECTOR:4.40 X 0.312 L(END ATTACHING PARTS).....	71468	DB25S-F179
-129	131-0608-00			4		.TERMINAL,PIN:0.365 L X 0.025 PH BRZ GLD	71468	D 20418-2
-130	361-1044-00			2		.SPACER,SLEEVE:0.125 ID X 0.232 IN LONG	22526	47357
-131	348-0477-00			1		.SEAL,RBR STRIP:0.94 X 28.0 INCH LONG	80009	361-1044-00
-132	129-0815-00			2		.SPACER,POST:0.23 LONG X 0.375 DIA(ATTACHING PARTS).....	85471	OBD
-133	210-0583-00			2		.NUT,PLAIN,HEX:0.25-32 X 0.312 INCH,BRS	80009	129-0815-00
-134	210-0046-00			2		.WASHER,LOCK:0.261 ID,INTL,0.018 THK,BRS(END ATTACHING PARTS).....	73743	2X20317-402
-135	348-0056-00			2		.GROMMET,PLASTIC:0.375 INCH DIA	78189	1214-05-00-0541C
-136	129-0815-01			2		.SPACER,POST:0.24 LONG X 0.375 DIA(ATTACHING PARTS).....	80009	348-0056-00
-137	210-0583-00			2		.NUT,PLAIN,HEX:0.25-32 X 0.312 INCH,BRS	80009	129-0815-01
-138	210-0046-00			2		.WASHER,LOCK:0.261 ID,INTL,0.018 THK,BRS	73743	2X20317-402
-139	426-1466-03			1		.FRAME SECT,SA:REAR	78189	1214-05-00-0541C
							80009	426-1466-03

Replaceable Mechanical Parts
492/492P Service Vol. 2 (B030000 & Up)

Fig. & Index No.	Tektronix Part No.	Serial/Model No.		Qty	1 2 3 4 5	Name & Description	Mfr Code	Mfr Part Number
		Eff	Dscont					
7-	672-0815-01			1		CKT BOARD ASSY:PRESELECTOR DRIVER (OPTION 01 ONLY)	80009	672-0815-01
-1	211-0666-00			2		(ATTACHING PARTS FOR EACH CKT BOARD) SCREW,MACHINE:6-32 X 4.25 INCH,PNH STL (OPTION 01 ONLY)	80009	211-0666-00
-2	211-0507-01			1		SCREW,MACHINE:6-32 X 0.312 INCH,PNH STL (OPTION 01 ONLY)	83385	OBD
						***** (END ATTACHING PARTS) *****		
-3				1		CKT BOARD ASSY INCLUDES: .CKT BOARD ASSY:PRESELECTOR DRIVER (SEE A42 REPL,OPTION 01 ONLY)		
						***** (ATTACHING PARTS) *****		
-4	211-0116-00			4		.SCR,ASSEM WSHR:4-40 X 0.312 INCH,PNH BRS (OPTION 01 ONLY)	83385	OBD
						***** (END ATTACHING PARTS) *****		
-5	214-0579-00			5		.CKT BOARD ASSY INCLUDES: ..TERM,TEST POINT:BRS CD PL	80009	214-0579-00
-6	131-0993-00			4		..BUS,CONDUCTOR:2 WIRE BLACK (OPTION 01 ONLY)	00779	850100-01
-7	131-0608-00			10		..TERMINAL,PIN:0.365 L X 0.025 PH BRZ GLD (OPTION 01 ONLY)	22526	47357
-8	131-2167-00			2		..CONN,RCPT,ELEC:CKT BD,FEMALE,12/24 (OPTION 01 ONLY)	22526	65002-009
-9				1		.TRANSISTOR:(SEE A42Q5065 REPL) (OPTION 01 ONLY)		
						***** (ATTACHING PARTS) *****		
-10	211-0008-01			1		.SCREW,MACHINE:4-40 X 0.250,PNH,STL,CD PL (OPTION 01 ONLY)	83385	OBD
-11	210-1178-00			1		.WASHER,SHLDR:U/W T0-220 TRANSISTOR (OPTION 01 ONLY)	49671	DF137A
						***** (END ATTACHING PARTS) *****		
-12	348-0354-00			1		.SHLD GSKT,ELEC:8.10 INCH LONG (OPTION 01 ONLY)	80009	348-0354-00
-13	352-0513-00			1		.HOLDER,CKT BD:5.2 INCH LONG,AL (OPTION 01 ONLY)	80009	352-0513-00
				1		PHASE LOCK ASSY:(SEE A50 REPL) (OPTION 03 ONLY)		
						***** (ATTACHING PARTS) *****		
-14	211-0507-01			2		SCREW,MACHINE:6-32 X 0.312 INCH,PNH STL (OPTION 03 ONLY)	83385	OBD
						***** (END ATTACHING PARTS) *****		
-15	200-2242-00			1		PHASE LOCK ASSY INCLUDES: .COV,PH LOCK SYN:FRONT (OPTION 03 ONLY)	80009	200-2242-00
						***** (ATTACHING PARTS) *****		
-16	211-0087-01			12		.SCREW,MACH:2-56 X 0.188,FLH 82 DEG,STL (OPTION 03 ONLY)	83385	OBD
						***** (END ATTACHING PARTS) *****		
-17				1		.CKT BOAD ASSY:CONTROLLED OSC (SEE A50A5 REPL,OPTION 03 ONLY)		
						***** (ATTACHING PARTS) *****		
-18	211-0007-01			4		.SCREW,MACHINE:4-40 X 0.188 INCH,PNH STL (OPTION 03 ONLY)	83385	OBD
						***** (END ATTACHING PARTS) *****		
-19	136-0263-04			4		.CKT BOARD ASSY INCLUDES: ..SOCKET,PIN TERM:FOR 0.025 INCH SQ PIN (OPTION 03 ONLY)	22526	75377-001
-20				3		..TERM,TEST PT:(SEE A50A5TP1021, ...A50A5TP2011,A50A5TP2035 REPL) (OPTION 03 ONLY)		
-21	131-0993-00			2		..BUS,CONDUCTOR:2 WIRE BLACK (OPTION 03 ONLY)	00779	850100-01
-22	131-0608-00			7		..TERMINAL,PIN:0.365 L X 0.025 PH BRZ GLD (OPTION 03 ONLY)	22526	47357

Replaceable Mechanical Parts
492/492P Service Vol. 2 (B030000 & Up)

Fig. & Index No.	Tektronix Part No.	Serial/Model No.		Qty	1 2 3 4 5	Name & Description	Mfr Code	Mfr Part Number
		Eff	Dscont					
7-23	131-1612-03			3		.TERM,FDTHRU:U-SHP,0.3 L X 0.35 L X 0.25	80009	131-1612-03
	131-1612-06			3		.TERM,FEEDTHRU:U-SHP,0.55 L X 0.35W (OPTION 03 ONLY)	80009	131-1612-06
-24	-----			1		.CKT BOARD ASSY:OFFSET MIXER (SEE A50A3 REPL,OPTION 03 ONLY)		
	-----			-	(ATTACHING PARTS).....		
-25	211-0007-01			4		.SCREW,MACHINE:4-40 X 0.188 INCH,PNH STL (OPTION 03 ONLY)	83385	OBD
	-----			-	(END ATTACHING PARTS).....		
-26	-----			-		.CKT BOARD ASSY INCLUDES:		
	-----			2		.TERM,TEST PT:(SEE A50A3TP1058, ...A50A3TP2012 REPL)		
-27	-----			-	(OPTION 03 ONLY)		
	136-0263-04			6		.SOCKET,PIN TERM:FOR 0.025 INCH SQ PIN	22526	75377-001
-28	-----			-	(OPTION 03 ONLY)		
	-----			1		.CKT BOARD ASSY:SYNTHESIZER (SEE A50A1 REPL,OPTION 03 ONLY)		
-29	-----			-	(ATTACHING PARTS).....		
	211-0007-01			3		.SCREW,MACHINE:4-40 X 0.188 INCH,PNH STL (OPTION 03 ONLY)	83385	OBD
-30	-----			-	(END ATTACHING PARTS).....		
	-----			-		.CKT BOARD ASSY INCLUDES:		
-31	214-0579-00			3		.TERM,TEST POINT:BRS CD PL	80009	214-0579-00
	-----			-	(OPTION 03 ONLY)		
-32	-----			-	(OPTION 03 ONLY)		
	136-0263-04			6		.SOCKET,PIN TERM:FOR 0.025 INCH SQ PIN	22526	75377-001
-33	-----			-	(OPTION 03 ONLY)		
	-----			1		.CABLE ASSY,RF:(SEE W350 REPL)		
-34	-----			-	(OPTION 03 ONLY)		
	131-0156-01			2		.CONN,RCPT,ELEC:SNAP-ON,MALE,MODIFIED (OPTION 03 ONLY)	80009	131-0156-01
-35	-----			-	(OPTION 03 ONLY)		
	334-3654-00			1		.PLATE,IDENT:MARKED O LOCKSYNTH,FRONT (OPTION 03 ONLY)	80009	334-3654-00
-36	-----			-	(OPTION 03 ONLY)		
	342-0474-00			20		.INSUL HALF FEED:DELTRIN	80009	342-0474-00
-37	-----			-	(OPTION 03 ONLY)		
	131-0593-00			1		.CONTACT,ELEC:1.15 INCH LONG	22526	47354
-38	-----			-	(OPTION 03 ONLY)		
	407-2312-00			1		.BRACKET,SYNTHZR:PHASE LOCK (OPTION 03 ONLY)	80009	407-2312-00
-39	-----			-	(ATTACHING PARTS).....		
	211-0007-01			2		.SCREW,MACHINE:4-40 X 0.188 INCH,PNH STL (OPTION 03 ONLY)	83385	OBD
-40	-----			-	(END ATTACHING PARTS).....		
	200-2243-00			1		.COV,PH LOCK SYN:REAR (OPTION 03 ONLY)	80009	200-2243-00
-41	-----			-	(ATTACHING PARTS).....		
	211-0087-01			9		.SCREW,MACH:2-56 X 0.188,FLH 82 DEG,STL (OPTION 03 ONLY)	83385	OBD
-42	-----			-	(END ATTACHING PARTS).....		
	-----			1		.CKT BOARD ASSY:STROBE DRIVER (SEE A50A2 REPI,OPTION 03 ONLY)		
-43	-----			-	(ATTACHING PARTS).....		
	211-0007-01			4		.SCREW,MACHINE:4-40 X 0.188 INCH,PNH STL (OPTION 03 ONLY)	83385	OBD
-44	-----			-	(END ATTACHING PARTS).....		
	-----			-		.CKT BOARD ASSY INCLUDES:		
-45	214-3039-00	B030000	B042639	1		.TERM,TEST POINT:BRS CD PL	80009	214-3039-00
	-----			-	(OPTION 03 ONLY)		
-46	-----			-	(OPTION 03 ONLY)		
	-----			1		.FILTER,BANDPASS:(SEE F2064 REPL) (OPTION 03 ONLY)		
				-	(ATTACHING PARTS).....		

Replaceable Mechanical Parts
492/492P Service Vol. 2 (B030000 & Up)

Fig. & Index No.	Tektronix Part No.	Serial/Model No. Eff	Dscont	Qty	1	2	3	4	5	Name & Description	Mfr Code	Mfr Part Number
7-47	211-0007-01			2						..SCREW,MACHINE:4-40 X 0.188 INCH,PNH STL	83385	OBD
	-----			-						..(OPTION 03 ONLY)		
				-					(END ATTACHING PARTS).....		
-48	136-0263-04			4						..SOCKET,PIN TERM:FOR 0.025 INCH SQ PIN	22526	75377-001
	-----			-						..(OPTION 03 ONLY)		
	348-0737-00	B042640		-						..SHLD GSKT,ELEK:TAPE MESH, 0.375		
-49	131-0156-01			2						..CONN,RCPT,ELEC:SNAP-ON,MALE,MODIFIED	53217	23-90110
	-----			-						..(OPTION 03 ONLY)	80009	131-0156-01
-50	334-3652-00			1						..PLATE,IDENT:MARKED O LOCKSYNTH,REAR	80009	334-3652-00
	-----			-						..(OPTION 03 ONLY)		
-51	337-2680-00			1						..SHIELD,CRT:PHASE LOCK SYNTHESIZER,REAR	80009	337-2680-00
	-----			-						..(OPTION 03 ONLY)		
				-					(ATTACHING PARTS).....		
-52	211-0196-01			2						..SCREW,MACHINE:4-40 X 0.188,SCH,HEX,STL	000AH	OBD
	-----			-						..(OPTION 03 ONLY)		
				-					(END ATTACHING PARTS).....		
-53	337-2566-01			1						..SHIELD,ELEC:PH LOCK SYNTHESIZER,FRONT	80009	337-2566-01
	-----			-						..(OPTION 03 ONLY)		
-54				1						..CKT BD ASSY:ERROR AMP(SEE A50A4 REPL)		
	-----			-						..(OPTION 03 ONLY)		
				-					(ATTACHING PARTS).....		
-55	211-0007-01			3						..SCREW,MACHINE:4-40 X 0.188 INCH,PNH STL	83385	OBD
	-----			-						..(OPTION 03 ONLY)		
				-					(END ATTACHING PARTS).....		
-56				1						..CKT BOARD ASSY INCLUDES:		
	-----			-						..MICROCIRCUIT,LI:(SEE A50A4U2075 REPL)		
				-						..(OPTION 03 ONLY)		
				-					(ATTACHING PARTS).....		
-57	211-0008-01			1						..SCREW,MACH:4-40 X 0.250,PNH,STL,CD PL	83385	OBD
	-----			-						..(OPTION 03 ONLY)		
				-					(END ATTACHING PARTS).....		
-58	131-2167-00			1						..CONN,RCPT,ELEC:CKT BD,FEMALE,12/24	22526	65002-009
	-----			-						..(OPTION 03 ONLY)		
-59	214-0579-00			2						..TERM,TEST POINT:BRS CD PL	80009	214-0579-00
	-----			-						..(OPTION 03 ONLY)		
-60	131-2196-00			1						..CONN,RCPT,ELEC:CKT BD,6/12,FEMALE	22526	650002-076
	-----			-						..(OPTION 03 ONLY)		
-61	131-0993-00			1						..BUS,CONDUCTOR:2 WIRE BLACK	00779	850100-01
	-----			-						..(OPTION 03 ONLY)		
-62	131-0608-00			5						..TERMINAL,PIN:0.365 L X 0.025 PH BRZ GLD	22526	47357
	-----			-						..(OPTION 03 ONLY)		
-63	136-0263-04			12						..SOCKET,PIN TERM:FOR 0.025 INCH SQ PIN	22526	75377-001
	-----			-						..(OPTION 03 ONLY)		
-64	386-4508-00			1						..PLATE,ELEC GND:0.63 X 0.5 X 2.1	80009	386-4508-00
	672-0814-00			1						..CKT BOARD ASSY:PHASE LOCK CONTROL	80009	672-0814-00
	-----			-						..(OPTION 03 ONLY)		
				-					(ATTACHING PARTS).....		
-65	211-0666-00			2						..SCREW,MACHINE:6-32 X 4.25 INCH,PNH STL	80009	211-0666-00
	-----			-						..(OPTION 03 ONLY)		
-66	211-0507-01			1						..SCREW,MACHINE:6-32 X 0.312 INCH,PNH STL	83385	OBD
	-----			-						..(OPTION 03 ONLY)		
				-					(END ATTACHING PARTS).....		
-67	337-2803-00			1						..CKT BOARD ASSY INCLUDES:	80009	337-2803-00
	-----			-						..SHIELD,ELEC:CIRCUIT BOARD		
				-					(ATTACHING PARTS).....		
-68	211-0105-01			6						..SCREW,MACH:4-40 X 0.188,100 DEG,FLH STL	83385	OBD
-69	211-0005-00			3						..SCREW,MACHINE:4-40 X 0.125 INCH,PNH STL	83385	OBD
	-----			-					(END ATTACHING PARTS).....		
-70				1						..CKT BOARD ASYS:PHASE LOCK CONT		
	-----			-						..(SEE A51 REPL,OPTION 03 ONLY)		
				-					(ATTACHING PARTS).....		
-71	211-0116-00			4						..SCR,ASSEM WSHR:4-40 X 0.312 INCH,PNH BRS	83385	OBD
	-----			-						..CKT BOARD ASSY INCLUDES:		
-72	131-2167-00			2						..CONN,RCPT,ELEC:CKT BD,FEMALE,12/24	22526	65002-009
	-----			-						..(OPTION 03 ONLY)		

**Replaceable Mechanical Parts
492/492P Service Vol. 2 (B030000 & Up)**

Fig. & Index No.	Tektronix Part No.	Serial/Model No.		Qty	1 2 3 4 5	Name & Description	Mfr Code	Mfr Part Number
		Eff	Dscont					
7-73	131-2196-00			1	-	..CONN,RCPT,ELEC:CKT BD,6/12,FEMALE ..(OPTION 03 ONLY)	22526	650002-076
-74	131-0993-00			2	-	..BUS,CONDUCTOR:2 WIRE BLACK ..(OPTION 03 ONLY)	00779	850100-01
-75	131-0608-00			8	-	..TERMINAL,PIN:0.365 L X 0.025 PH BRZ GLD ..(OPTION 03 ONLY)	22526	47357
-76	-----			1	-	..CABLE ASSY,RF:(SEE W502 REPL) ..(OPTION 03 ONLY)		
-77	131-0938-00			2	-	..CONNECTOR,RCPT,.:50 OHM MALE SNAP-ON ..(OPTION 03 ONLY)	98291	051-043-0349
-78	352-0512-01			1	-	..HOLDER,CKT BD:5.7 L,ALUMINUM ..(OPTION 03 ONLY)	80009	352-0512-01
-79	-----			1	-	CKT BOARD ASSY:DGTL STOR INTFC (SEE A60 REPL,OPTION 02 ONLY)		
-80	136-0621-00			2	-	..SOCKET,PLUG-IN:22 CONTACT ..(OPTION 02 ONLY)	73803	CS9002-22
-81	131-2167-00			2	-	..CONN,RCPT,ELEC:CKT BD,FEMALE,12/24 ..(OPTION 02 ONLY)	22526	65002-009
-82	131-2196-00			1	-	..CONN,RCPT,ELEC:CKT BD,6/12,FEMALE ..(OPTION 02 ONLY)	22526	650002-076
-83	131-0993-00			2	-	..BUS,CONDUCTOR:2 WIRE BLACK ..(OPTION 02 ONLY)	00779	850100-01
-84	131-0608-00			4	-	..TERMINAL,PIN:0.365 L X 0.025 PH BRZ GLD ..(OPTION 02 ONLY)	22526	47357
-85	351-0580-00			3	-	GUIDE,CKT BD:BLACK,POLYPROPYLENE (OPTION 02 ONLY)	80009	351-0580-00
	672-0816-00	B030000	B042219	1	-	CKT BOARD ASSY:DIGITAL STORAGE VERTICAL (OPTION 02 ONLY)	80009	672-0816-00
	672-0816-01	B042220	B043114	1	-	CKT BOARD ASSY:DIGITAL STORAGE VERTICAL (OPTION 02 ONLY)	80009	672-0816-01
	672-0816-02	B043115		1	-	CKT BOARD ASSY:DIGITAL STORAGE VERTICAL (OPTION 02 ONLY)	80009	672-0816-02
-86	211-0666-00			2	-	SCREW,MACHINE:6-32 X 4.25 INCH,PNH STL (OPTION 02 ONLY)	80009	211-0666-00
-87	211-0507-01			1	-	SCREW,MACHINE:6-32 X 0.312 INCH,PNH STL (OPTION 02 ONLY)	83385	OBD
	-----			-	-	***** (ATTACHING PARTS) *****		
	-----			-	-	CKT BOARD ASSY INCLUDES:		
-88	-----			1	-	..CKT BOARD ASSY:DIGITAL STORAGE (SEE A61 REPL,OPTION 02 ONLY)		
	-----			-	-	***** (ATTACHING PARTS) *****		
-89	211-0116-00			4	-	..SCR,ASSEM WSHR:4-40 X 0.312 INCH,PNH BRS (OPTION 02 ONLY)	83385	OBD
	-----			-	-	***** (END ATTACHING PARTS) *****		
	-----			-	-	..CKT BOARD ASSY INCLUDES:		
-90	131-2167-00			2	-	..CONN,RCPT,ELEC:CKT BD,FEMALE,12/24 ..(OPTION 02 ONLY)	22526	65002-009
-91	131-2196-00			1	-	..CONN,RCPT,ELEC:CKT BD,6/12,FEMALE ..(OPTION 02 ONLY)	22526	650002-076
-92	131-0993-00			2	-	..BUS,CONDUCTOR:2 WIRE BLACK ..(OPTION 02 ONLY)	00779	850100-01
-93	131-0608-00			4	-	..TERMINAL,PIN:0.365 L X 0.025 PH BRZ GLD ..(OPTION 02 ONLY)	22526	47357
-94	352-0512-00			1	-	..HOLDER,CKT BD:5.7 L,ALUMINUM ..(OPTION 02 ONLY)	80009	352-0512-00
-95	-----			1	-	HYBRID CKT ASSY:(SEE A24 REPL) (OPTION 03 ONLY)		
	-----			-	-	***** (ATTACHING PARTS) *****		
-96	211-0008-01			2	-	SCREW,MACHINE:4-40 X 0.250,PNH,STL,CD PL (OPTION 03 ONLY)	83385	OBD
	-----			-	-	***** (END ATTACHING PARTS) *****		

Replaceable Mechanical Parts
492/492P Service Vol. 2 (B030000 & Up)

Fig. & Index No.	Tektronix Part No.	Serial/Model No. Eff	Dscont	Qty	1 2 3 4 5	Name & Description	Mfr Code	Mfr Part Number
7-	-----			-		HYBRID ASSY INCLUDES:		
-97	-----			1		.CA ASSY,SP,ELEC:(SEE W242 REPL)		
	-----			-		.(OPTION 03 ONLY)		
	352-0162-00			1		.HLDR,TERM CONN:4 WIRE BLACK	80009	352-0162-00
	-----			-		.(OPTION 03 ONLY)		
	352-0164-00			1		.CONN BODY,PL,EL:6 WIRE BLACK	80009	352-0164-00
	-----			-		.(OPTION 03 ONLY)		
-98	-----			1		.CKT BOARD ASSY:PH GATE INPUT		
	-----			-		.(A24A1 REPL,OPTION 03 ONLY)		
	-----			-	(ATTACHING PARTS).....		
-99	211-0206-00			2		.SCR,CAP,SOC HD:2-56 X 0.312 INCH,STL	000AH	OBD
	-----			-		.(OPTION 03 ONLY)		
	-----			-	(END ATTACHING PARTS).....		
	-----			-		.CKT BOARD ASSY INCLUDES:		
-100	131-1425-00			1		.CNT SET,ELE:R ANL.0.150' L,STR OF 36	22526	65521-136
	-----			-		.(OPTION 03 ONLY)		
-101	-----			1		CABLE ASSY,RF:(SEE W131 REPL)		
	-----			-		(OPTION 03 ONLY)		
-102	-----			1		CABLE ASSY,RF:(SEE W240 REPL)		
	-----			-		(OPTION 03 ONLY)		
-103	-----			1		BIAS RETURN:(SEE A11 REPL)		
	-----			-		(NOT INCLUDED WITH OPTION 02)		
-104	343-0549-00			1		STRAP,TIEDOWN:0.091 W X 3.62 INCH LONG	06383	PLT1M
	-----			-		(NOT INCLUDED WITH OPTION 02)		
-105	407-2390-00			1		BRACKET,ELEC SW:	80009	407-2390-00
	-----			-		(NOT INCLUDED WITH OPTION 02)		
	-----			-	(ATTACHING PARTS).....		
-106	211-0008-01			2		SCREW,MACHINE:4-40 X 0.250,PNH,STL,CD PL	83385	OBD
	-----			-		(NOT INCLUDED WITH OPTION 02)		
	-----			-	(END ATTACHING PARTS).....		
-107	-----			1		CABLE ASSY,RF:(SEE W118 REPL)		
	-----			-		(OPTION 03 ONLY)		
-108	-----			1		YIG TUNED FLTR:(SEE FL12 REPL)		
	-----			-		(OPTION 01 ONLY)		
	-----			-	(ATTACHING PARTS).....		
-109	211-0008-01			2		SCREW,MACHINE:4-40 X 0.250,PNH,STL,CD PL	83385	OBD
	-----			-		(OPTION 01 ONLY)		
	-----			-	(END ATTACHING PARTS).....		
	-----			-		.YIG FILTER ASSY INCLUDES:		
-110	407-2151-00			1		.BRACKET,ANGLE:MIXER/FILTER,ALUMINUM	80009	407-2151-00
	-----			-		.(OPTION 01 ONLY)		
	-----			-	(ATTACHING PARTS).....		
-111	211-0008-01			2		.SCREW,MACHINE:4-40 X 0.250,PNH,STL,CD PL	83385	OBD
	-----			-		(OPTION 01 ONLY)		
	-----			-	(END ATTACHING PARTS).....		
-112	175-2373-00			1		.CA ASSY,SP,ELEC:3.0 INCH LONG,RIBBON	80009	175-2373-00
	-----			-		.(OPTION 01 ONLY)		
	352-0163-00			1		.CONN BODY,PL,EL:5 WIRE BLACK	80009	352-0163-00
	-----			-		.(OPTION 01 ONLY)		
-113	-----			1		FILTER,LOW PASS:(SEE FL10 REPL)		
	-----			-		(OPTION 01 ONLY)		
-114	-----			1		CABLE ASSY,RF:(SEE W126 REPL)		
	-----			-		(OPTION 01 ONLY)		
-115	-----			1		ATTENUATOR:(SEE AT11 REPL)		
	-----			-		(OPTION 01 ONLY)		
-116	-----			1		CABLE ASSY,RF:(SEE W100 REPL)		
	-----			-		(OPTION 01 ONLY)		
-117	-----			1		CABLE ASSY,RFP(SEE W104 REPL)		
	-----			-		(OPTION 01 ONLY)		
-118	-----			1		CABLE ASSY,RF:(SEE W114 REPL)		
	-----			-		(OPTION 01 ONLY)		
-119	-----			1		CABLE ASSY,RF:(SEE W102 REPL)		
	-----			-		(OPTION 01 ONLY)		
-120	-----			1		CABLE ASSY,RF:(SEE W112 REPL)		
	-----			-		(OPTION 01 ONLY)		

Replaceable Mechanical Parts
492/492P Service Vol. 2 (B030000 & Up)

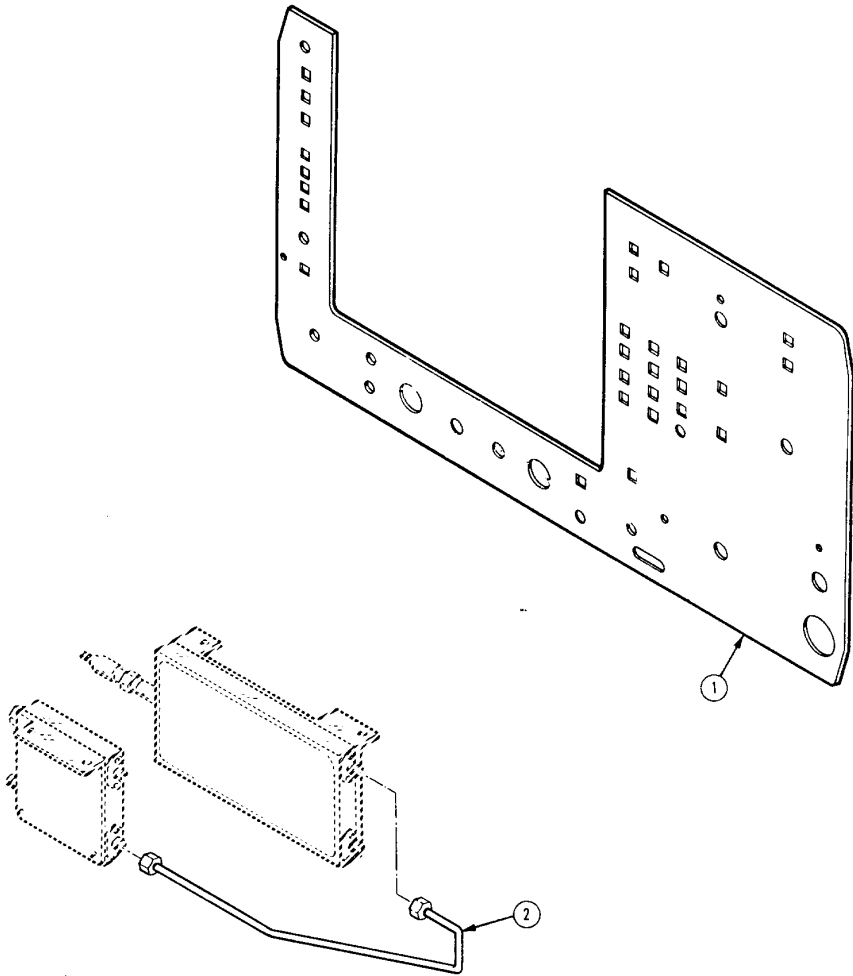
Fig. & Index No.	Tektronix Part No.	Serial/Model No. Eff	Dscont	Qty	1	2	3	4	5	Name & Description	Mfr Code	Mfr Part Number
7-121	-----			1						CABLE ASSY,RF:(SEE W116 REPL) (OPTION 01 ONLY)		
-122	407-2381-00			1						BRACKET,ELEC SW:ALUMINUM (OPTION 01 ONLY) *****ATTACHING PARTS)*****	80009	407-2381-00
-123	211-0008-01			2						SCREW,MACHINE:4-40 X 0.250,PNH,STL,CD PL (OPTION 01 ONLY)	83385	OBD
-124	210-0405-00			2						NUT,PLAIN,HEX.:2-56 X 0.188 INCH,BRS (OPTION 01 ONLY)	73743	12157-50
-125	210-0001-00			2						WASHER,LOCK:INTL,0.092 ID X 0.18"OD,ST (OPTION 01 ONLY)	78189	1202-00-00-0541C
-126	211-0128-00			2						SCREW,MACHINE:2-56 X 1.375 INCH,PNH STL (OPTION 01 ONLY) *****END ATTACHING PARTS)*****	77250	OBD
-127	-----			1						LIMITER SYS:(SEE A10 REPL) (OPTION 01 ONLY)		
-128	-----			2						SW,RF XMSN LINE:(SEE S11,S12 REPL) (OPTION 01 ONLY)		
-129	386-4242-00			1						PLATE,SW MTG:ALUMINUM (OPTION 01 ONLY) *****ATTACHING PARTS)*****	80009	386-4242-00
-130	211-0008-01			2						SCREW,MACHINE:4-40 X 0.250,PNH,STL,CD PL (OPTION 01 ONLY) *****END ATTACHING PARTS)*****	83385	OBD
-131	198-3048-00			1						WIRE SET,ELEC: (OPTION 01 ONLY)	80009	198-3048-00
	352-0169-00			1						.HLDR,TERM CONN:2 WIRE BLACK (OPTION 01 ONLY)	80009	352-0169-00
-132	-----			1						CABLE ASSY,RF:(SEE W106 REPL) (OPTION 01 ONLY)		
-133	343-0005-00			1						CLAMP,LOOP:0.438 INCH (OPTION 01 ONLY) *****ATTACHING PARTS)*****	95987	7-16-6B
-134	210-0458-00			1						NUT,PL,ASSEM WA:8-32 X 0.344 INCH,STL (OPTION 01 ONLY) *****END ATTACHING PARTS)*****	83385	OBD
-135	333-2453-09	B030000	B040399	1						PANEL,FRONT: (OPTION 01 ONLY)	80009	333-2453-09
	333-2453-36	B040400		1						PANEL,FRONT: (OPTION 1 ONLY)	80009	333-2453-36
	333-2453-06	B030000	B040399	1						PANEL,FRONT: (OPTION 02 ONLY)	80009	333-2453-06
	333-2453-34	B040400		1						PANEL,FRONT: (OPTION 2 ONLY)	80009	333-2453-34
	333-2453-03	B030000	B040399	1						PANEL,FRONT: (OPTION 03 ONLY)	80009	333-2453-03
	333-2453-41	B040400		1						PANEL,FRONT: (OPTION 3 ONLY)	80009	333-2453-41
	333-2453-07	B030000	B040399	1						PANEL,FRONT: (OPTION 01 & 02 ONLY)	80009	333-2453-07
	333-2453-35	B040400		1						PANEL,FRONT: (OPTION 1 & 2 ONLY)	80009	333-2453-35
	333-2453-12	B030000	B040399	1						PANEL,FRONT: (OPTION 01 & 03 ONLY)	80009	333-2453-12
	333-2453-38	B040400		1						PANEL,FRONT: (OPTION 1 & 3 ONLY)	80009	333-2453-38
	333-2453-18	B030000	B040399	1						PANEL,FRONT: (OPTION 02 & 03 ONLY)	80009	333-2453-18
	333-2453-40	B040400		1						PANEL,FRONT: (OPTION 2 & 3 ONLY)	80009	333-2453-40
	333-2453-04	B300000	B040399	1						PANEL,FRONT: (OPTION 01, 02 & 03 ONLY)	80009	333-2453-04
	333-2453-39	B040400		1						PANEL,FRONT: ON 1, 2 & 3 ONLY) OPTION 20	80009	333-2453-39

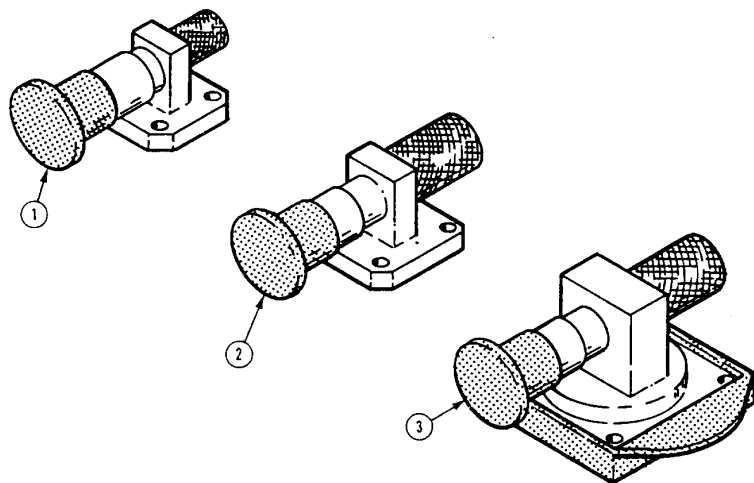
Replaceable Mechanical Parts
492/492P Service Vol. 2 (B030000 & Up)

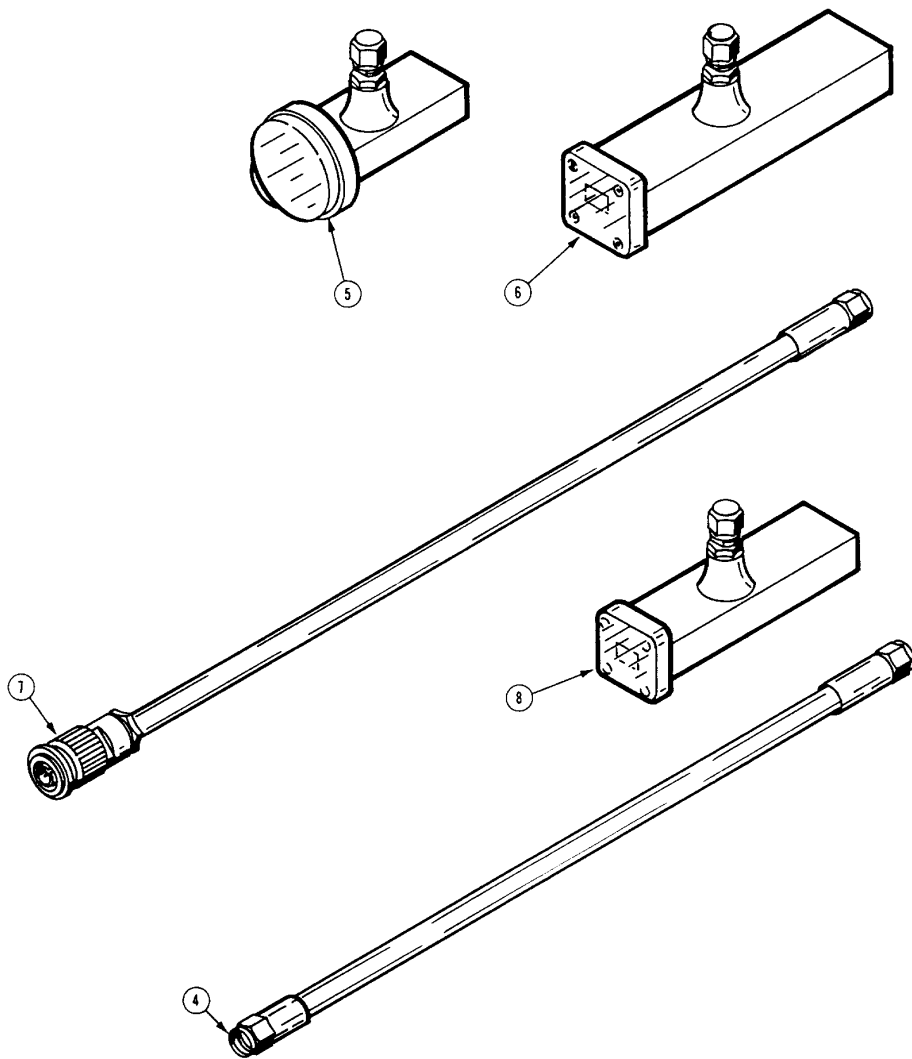
Fig. & Index No.	Tektronix Part No.	Serial/Model No.		Qty	1 2 3 4 5	Name & Description	Mfr		
		Eff	Dscont				Code	Mfr Part Number	
8-1	119-0099-00			1		MIXER,XTAL,WG:26.5-40.0 GHZ	80009	119-0099-00	
-2	119-0098-00			1		MIXER,XTAL,WG:18.0-26.5 GHZ	80009	119-0098-00	
-3	119-0097-00			1		MIXER,XTAL,WG:12.4-18.0 GHZ	80009	119-0097-00	
-4	012-0748-00			1		CABLE,INTCON:28.5 L	19505	80-9901-202	
OPTION 21									
	016-0662-00	B030000	B030114	1		WG MIXER SET:HI PERFORMANCE,18-40GHZ	80009	016-0662-00	
	WM490-2	B030115		1		WG MIXER SET:HI PERFORMANCE,18-40GHZ	80009	WM490-2	
-5	016-0631-01	B030000	B030114	1		.WG MIXER ASSY:18 TO 26.5GHZ	80009	016-0631-01	
	WM490K	B030115		1		.WAVEGUIDE MIXER:18 TO 26.5GHZ	80009	WM490K	
	-----			-		(SEE 070-3731-00 MANUAL FOR PARTS BKDN)			
-6	016-0632-01	B030000	B030114	1		.WG MIXER ASSY:26.5 TO 40GHZ	80009	016-0632-01	
	WM490A	B030115		1		.WAVEGUIDE MIXER:26.5 TO 40GHZ	80009	WM490A	
	-----			-		(SEE 070-3731-00 MANUAL FOR PARTS BKDN)			
-7	012-0649-00			1		.CABLE ASSY,RF:50 OHM COAX,28.5 INCH LONG	80009	012-0649-00	
	016-0465-01			1		.CASE,ACCESSORY:HIGH PERFORMANCE	80009	016-0465-01	
	070-3731-00			1		.MANUAL,TECH:INSTRUCTION	80009	070-3731-00	
OPTION 22									
	016-0659-00	B030000	B030114	1		WG MIXER SET:HI PERFORMANCE,18-60GHZ	80009	016-0659-00	
	WM490-3	B030115		1		WG MIXER SET:HI PERFORMANCE,18-60GHZ	80009	WM490-3	
	016-0631-01	B030000	B030114	1		.WG MIXER ASSY:18 TO 26.5GHZ	80009	016-0631-01	
	WM490K	B030115		1		.WAVEGUIDE MIXER:18 TO 26.5GHZ	80009	WM490K	
	-----			-		(SEE 070-3731-00 MANUAL FOR PARTS BKDN)			
	016-0632-01	B030000	B030114	1		.WG MIXER ASSY:26.5 TO 40GHZ	80009	016-0632-01	
	WM490A	B030115		1		.WAVEGUIDE MIXER:26.5 TO 40GHZ	80009	WM490A	
	-----			-		(SEE 070-3731-00 MANUAL FOR PARTS BKDN)			
-8	016-0634-01	B030000	B030114	1		.WG MIXER ASSY:40 TO 63GHZ	80009	016-0634-01	
	WM490U	B030115		1		.WAVEGUIDE MIXER:40 TO 60GHZ	80009	WM490U	
	012-0649-00			1		.CABLE ASSY,RF:50 OHM COAX,28.5 INCH LONG	80009	012-0649-00	
	016-0465-01			1		.CASE,ACCESSORY:HIGH PERFORMANCE	80009	016-0465-01	
	070-3731-00			1		.MANUAL,TECH:INSTRUCTION	80009	070-3731-00	
OPTION 8									

**Replaceable Mechanical Parts
492/492P Service Vol. 2 (B030000 & Up)**

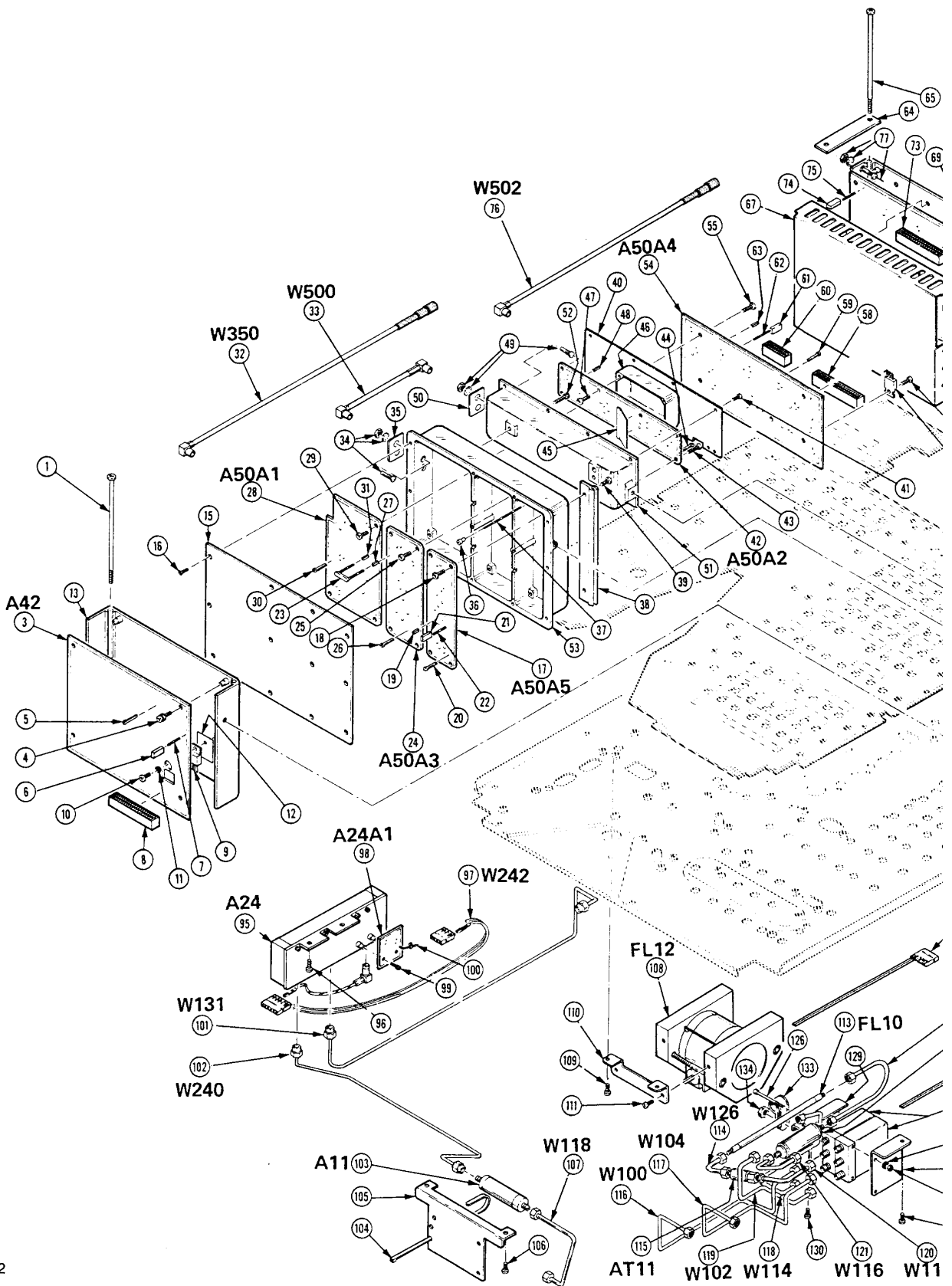
Fig. & Index No.	Tektronix Part No.	Serial/Model No.		Qty	Name & Description					Mfr Code	Mfr Part Number
		Eff	Dscont		1	2	3	4	5		
9-1	333-2453-32			1	PANEL,FRONT:OPTION 08					80009	333-2453-32
	333-2453-25			1	PANEL,FRONT:OPTION 01,03,08					80009	333-2453-25
	333-2453-26			1	PANEL,FRONT:OPTION 02,03,08					80009	333-2453-26
	333-2453-27			1	PANEL,FRONT:OPTION 03,08					80009	333-2453-27
	333-2453-28			1	PANEL,FRONT:OPTION 01,08					80009	333-2453-28
	333-2453-29			1	PANEL,FRONT:OPTION 01,02,08					80009	333-2453-29
	333-2453-30			1	PANEL,FRONT:OPTION 02,08					80009	333-2453-30
	333-2453-31			1	PANEL,FRONT:OPTION 01,02,03,08					80009	333-2453-31
-2	-----			1	CABLE ASSY,RF:(SEE W125 REPL)						



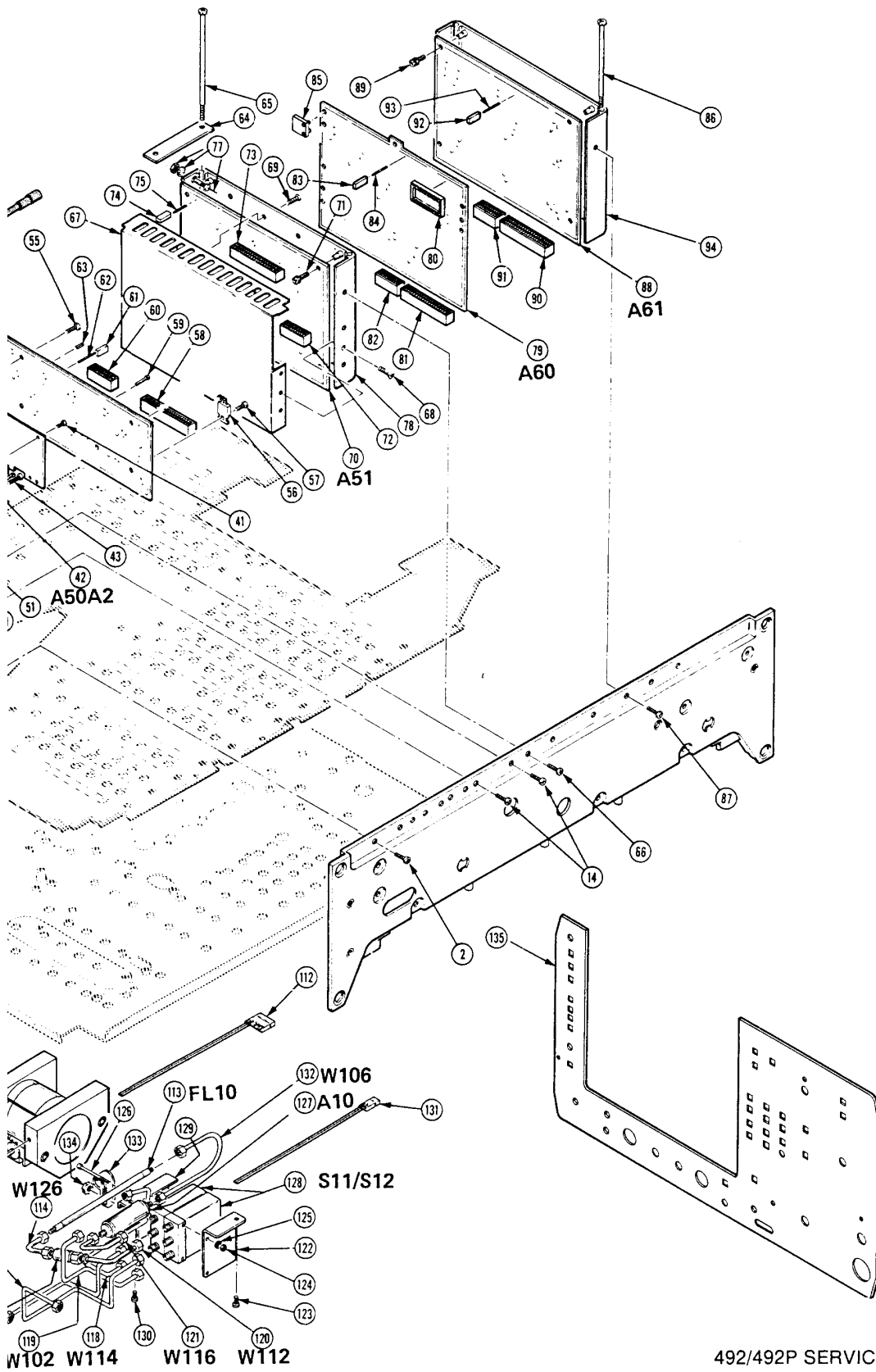




JAN 1983



REV JUN 1982

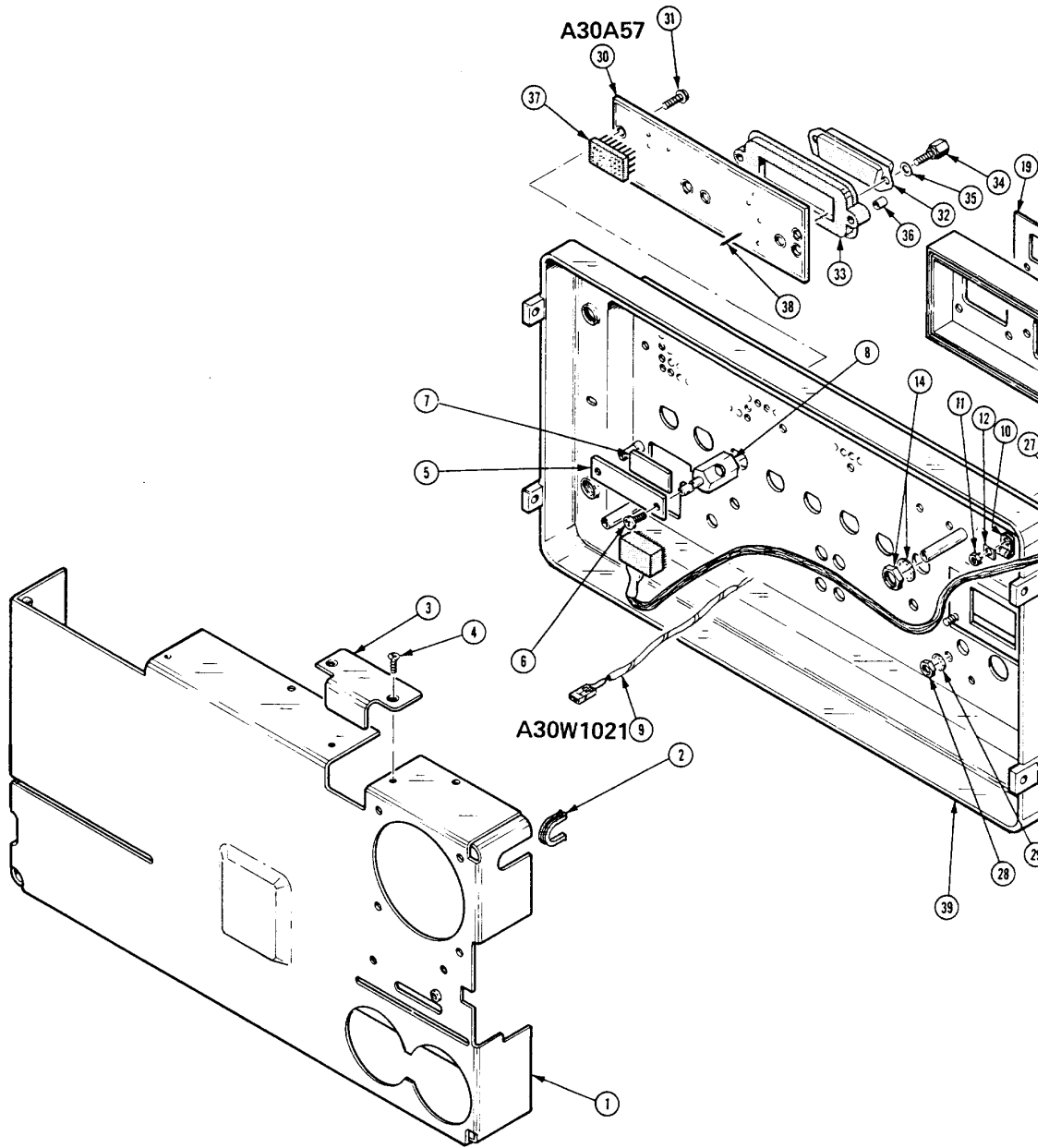


Replaceable Mechanical Parts
492/492P Service Vol. 2 (B030000 & Up)

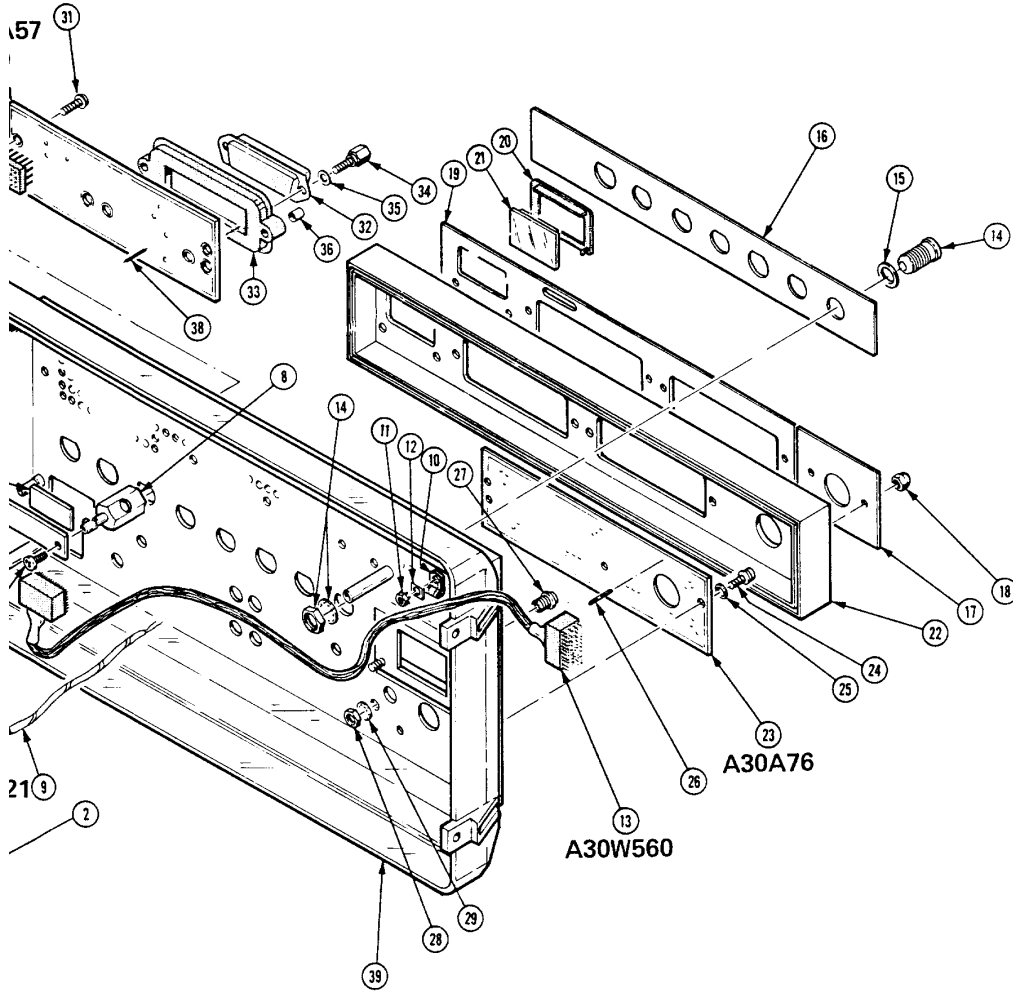
Fig. & Index No.	Tektronix Part No.	Serial/Model No.		Qty	1 2 3 4 5	Name & Description	Mfr	
		Eff	Dscont				Code	Mfr Part Number
10-1	333-2704-00			1		PANEL,FRONT:OPTION 02	80009	333-2704-00
	333-2704-01			1		PANEL,FRONT:OPTION 01,02,03	80009	333-2704-01
	333-2704-02			1		PANEL,FRONT:OPTION 01,02	80009	333-2704-02
	333-2704-03			1		PANEL,FRONT:OPTION 02,03	80009	333-2704-03
	333-2704-04			1		PANEL,FRONT:OPTION 02,08	80009	333-2704-04
	333-2704-05			1		PANEL,FRONT:OPTION 01,02,03,08	80009	333-2704-05
	333-2704-06			1		PANEL,FRONT:OPTION 01,02,08	80009	333-2704-06
	333-2704-07			1		PANEL,FRONT:OPTION 02,03,08	80009	333-2704-07
-2	-----			1		CKT BOARD ASSY:FRONT PANEL(SEE A38 REPL) (FOR PARTS BREAKDOWN SEE FIG.2 INDEX #36)		
-3	-----			1		CKT BOARD ASSY:MAIN MOTHER(SEE A28 REPL) (FOR PARTS BREAKDOWN SEE FIG.3 INDEX #20)		
-4	-----			1		CKT BD ASSY:1ST LO DRIVER(SEE A44 REPL) (FOR PARTS BREAKDOWN SEE FIG.4 INDEX #37)		
-5	-----			1		CKT BOARD ASSY:MEMORY(SEE A54 REPL) (FOR PARTS BREAKDOWN SEE FIG.4 INDEX #72)		
-6	-----			1		CKT BOARD ASSY:GPIB(SEE A56 REPL)		
-7	131-2196-00			1		.CONN,RCPT,ELEC:CKT BD,6/12,FEMALE	22526	650002-076
-8	136-0623-00			1		.SOCKET,PLUG-IN:40 DIP,LOW PROFILE	73803	CS9002-40
-9	131-2167-00			1		.CONN,RCPT,ELEC:CKT BD,FEMALE,12/24	22526	65002-009
-10	-----			1		CKT BOARD ASSY:GPIB EXTENDER (SEE A56A1 REPL)		
				-		*****ATTACHING PARTS*****		
-11	210-0586-00			2		NUT,PL,ASSEM WA:4-40 X 0.25,STL	83385	OBD
-12	211-0097-01			2		SCREW,MACHINE:4-40 X 0.312 INCH,PNH STL	83385	OBD
-13	211-0559-00			1		SCREW,MACHINE:6-32 X 0.375" 100 DEG,FLH ST	83385	OBD
-14	211-0510-00			1		SCREW,MACHINE:6-32 X 0.375,PNH,STL,CD PL *****END ATTACHING PARTS*****	83385	OBD
	-----			-		CKT BOARD ASSY INCLUDES:		
-15	131-2245-00			1		.CONN,RCPT,ELEC:CKT BD,20/40 MALE	00779	530801-1
	361-1039-01			2		.SPACER,CONN:PLASTIC	80009	361-1039-01
-16	131-2581-00			1		.CONN,RCPT,ELEC:CKT BD,4 X 7 CONT,FEMALE	91506	528-AG29D
-17	361-0146-00			1		SPACER,SLEEVE:0.148 L X 0.18 ID,BRS CU-SN	80009	361-0146-00
-18	407-2728-00			1		BRACKET,CONN:	80009	407-2728-00
-19	343-0995-00			1		RETAINER,CABLE:ALUMINUM	80009	343-0995-00

Replaceable Mechanical Parts
492/492P Service Vol. 2 (B030000 & Up)

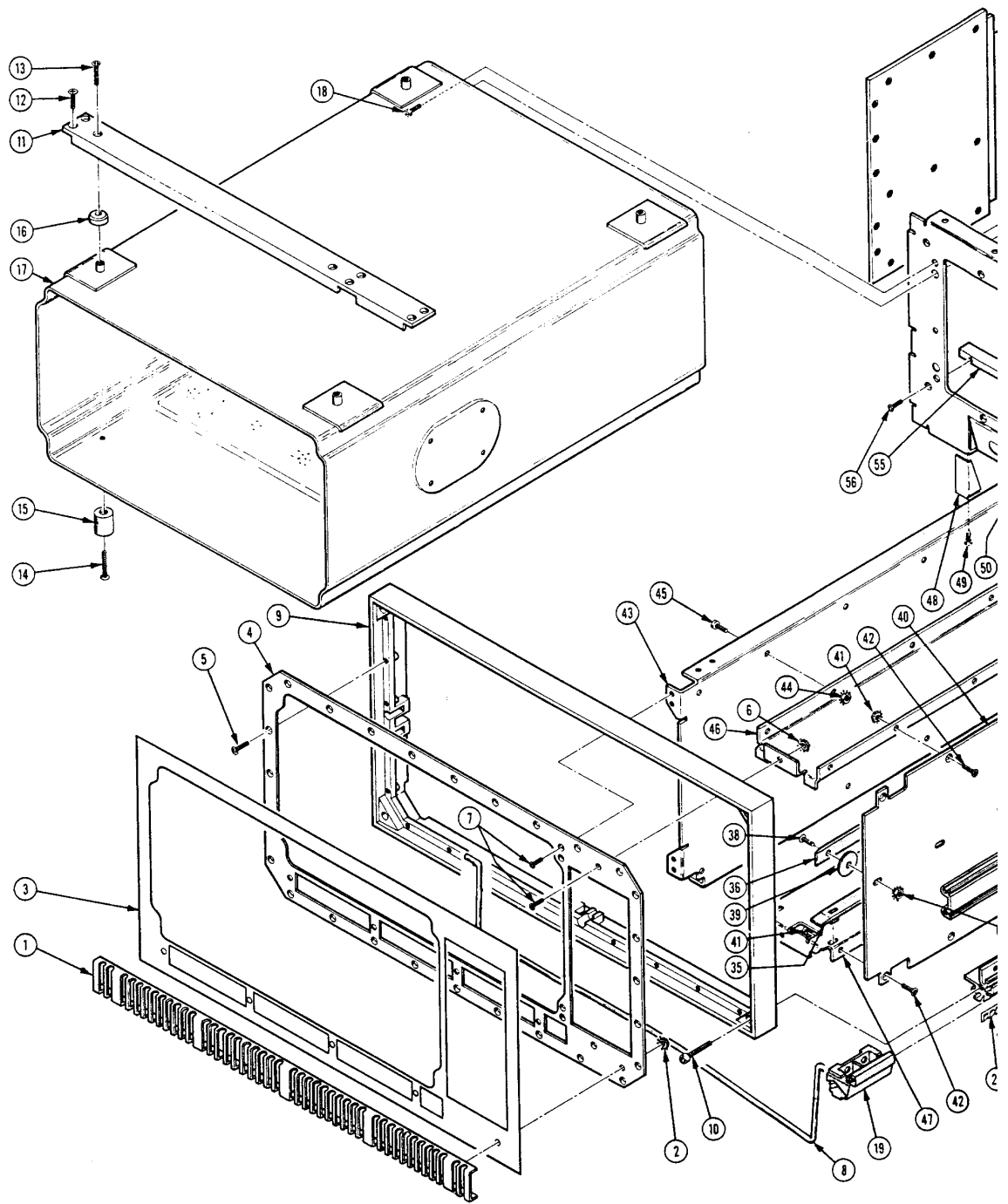
Fig. & Index No.	Tektronix Part No.	Serial/Model No. Eff	Dscont	Qty	1	2	3	4	5	Name & Description	Mfr Code	Mfr Part Number
11-	621-0481-01			1						POWER SUPPLY: (492P ONLY)	80009	621-0481-01
	-----			-						(COMMON PARTS TO 492/492P POWER SUPPLY .ARE SHOWN IN FIG. 6)		
-1	337-2553-01			1						.SHIELD,ELEC:POWER SUPPLY	80009	337-2553-01
-2	348-0171-00			1						.GROMMET,PLASTIC:U-SHAPED	80009	348-0171-00
-3	200-2512-00			1						.COVER,ACCESS:LINE VOLTAGE	80009	200-2512-00
									(ATTACHING PARTS).....		
-4	211-0105-01			2						.SCREW,MACH:4-40 X 0.188,100 DEG,FLH STL	83385	OBD
									(END ATTACHING PARTS).....		
-5	386-4439-00			1						.PLATE,CLAMPING:	80009	386-4439-00
									(ATTACHING PARTS).....		
-6	211-0097-01			2						.SCREW,MACHINE:4-40 X 0.312 INCH,PNH STL	83385	OBD
									(END ATTACHING PARTS).....		
-7	348-0656-00			1						.PAD,CUSHIONING:1.0 X 0.5 X 0.062,RUBBER	80009	348-0656-00
-8	129-0823-00			1						.SPACER,POST:0.885 L X 0.5 HEX,BRASS	80009	129-0823-00
-9	-----			1						.CA ASSY,SP,ELEC:(SEE W1021 REPL)		
-10	343-0004-00			4						.CLAMP,LOOP:0.312 INCH DIAMETER,PLSTC	95987	5-16-6B
									(ATTACHING PARTS).....		
-11	210-0586-00			3						.NUT,PL,ASSEM WA:4-40 X 0.25,STL	83385	OBD
-12	210-0863-00			3						.WSHR,LOOP CLP:0.187 ID U/W 0.5 W CLP,STL	95987	C191
									(END ATTACHING PARTS).....		
-13	-----			1						.CA ASSY,SP,ELEC:(SEE W560 REPL)		
-14	131-0771-00			1						.CONN,RCPT,ELEC:4 CONT,QUICK DISCONNECT	91836	1904-2M58
-15	361-1045-00			1						.SPACER,SLEEVE:0.368 ID X 0.125	80009	361-1045-00
-16	333-2656-00			1						.PANEL,REAR:	80009	333-2656-00
-17	386-3948-01			1						.PANEL,V SEL:	80009	386-3948-01
									(ATTACHING PARTS).....		
-18	220-0601-00			2						.NUT,PLAIN,CAP.:4-40 X 0.25 INCH HEX,BRS	73743	93261-03
									(END ATTACHING PARTS).....		
-19	333-2647-00	B030000	B032509	1						.PANEL,REAR:	80009	333-2647-00
	333-2647-02	B032510		1						.PANEL,REAR:		
-20	426-1733-00			1						.FRAME,DOOR:	80009	426-1733-00
-21	200-2499-00			1						.DOOR,ACCESS:SWITCH	80009	200-2499-00
-22	380-0629-01			1						.HOUSING,REAR:CIRCUIT BOARD	80009	380-0629-01
-23	-----			1						.CKT BOARD ASSY:ACCESS INTERFACE (SEE A76 REPL)		
									(ATTACHING PARTS).....		
-24	211-0116-00			2						.SCR,ASSEM WSHR:4-40 X 0.312 INCH,PNH BRS	83385	OBD
-25	210-1113-00			2						.WASHER,FLAT:0.281 ID X 0.50 OD	86445	OBD
									(END ATTACHING PARTS).....		
-26	131-0608-00			-						.CKT BOARD ASSY INCLUDES:		
	-----			4						..TERMINAL,PIN:0.365 L X 0.025 PH BRZ GLD	22526	47357
	-----			-						..(REMAINING PARTS BREAKDOWN FOR CKT BD ...SEE A76 ASSY FIG. 6)		
27	129-0815-01			4						.SPACER,POST:0.24 LONG X 0.375 DIA	80009	129-0815-01
									(ATTACHING PARTS).....		
-28	210-0583-00			4						.NUT,PLAIN,HEX:0.25-32 X 0.312 INCH,BRS	73743	2X20317-402
-29	210-0046-00			4						.WASHER,LOCK:0.261 ID,INTL,0.018 THK,BRS	78189	1214-05-00-0541C
									(END ATTACHING PARTS).....		
30	-----			1						.CKT BOARD ASSY:GPIB INTERFACE (SEE A57 REPL)		
									(ATTACHING PARTS).....		
31	211-0116-00			2						.SCR,ASSEM WSHR:4-40 X 0.312 INCH,PNH BRS	83385	OBD
									(END ATTACHING PARTS).....		
-32	131-2203-02			-						.CKT BOARD ASSY INCLUDES:		
-33	348-0598-00			1						..CONN,RCPT,ELEC:CKT BD,24 CONT,FEMALE	29587	57-20240-11(398)
				1						..SEAL,CONNECTOR:GPIB BUS,VINYL	80009	348-0598-00
									(ATTACHING PARTS).....		
4	214-2871-00			2						..HARDWARE KIT:STDF,W/NUT & LOCK WASHE	00779	552633-1
-35	210-0804-00			2						..WASHER,FLAT:0.17 ID X 0.375 INCH OD,STL	12327	OBD
									(END ATTACHING PARTS).....		
5	361-1044-00			1						..SPACER,SLEEVE:0.125 ID X 0.232 IN LONG	80009	361-1044-00
7	131-2581-00			1						..CONN,RCPT,ELEC:CKT BD,4 X 7 CONT,FEMALE	91506	528-AG29D
3	131-0608-00			2						..TERMINAL,PIN:0.365 L X 0.025 PH BRZ GLD	22526	47357
-39	426-1466-03			1						.FRAME SECT,SA:REAR	80009	426-1466-03

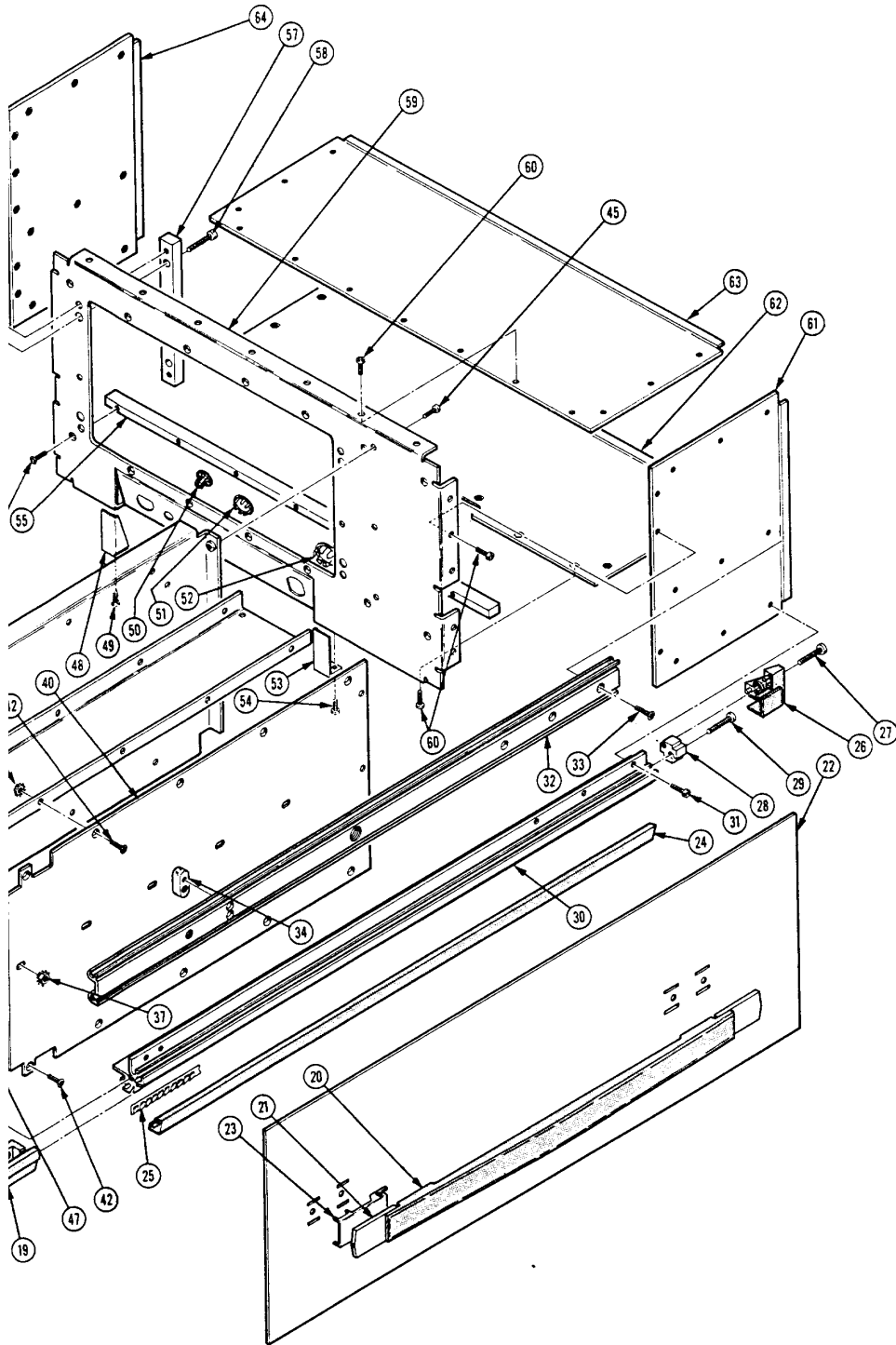


REV JUN 1982



D





Replaceable Mechanical Parts
492/492P Service Vol. 2 (B030000 & Up)

Fig. & Index No.	Tektronix Part No.	Serial/Model No. Eff Dscnt	Qty	1 2 3 4 5	Name & Description	Mfr Code	Mfr Part Number
12-1	378-0188-00		1		GRILLE,METAL:16.56 X 1.032,AL *****ATTACHING PARTS)*****	80009	378-0188-00
-2	210-0586-00		5		NUT,PL,ASSEM WA:4-40 X 0.25,STL *****END ATTACHING PARTS)*****	83385	OBD
-3	333-2711-00		1		PANEL,FRONT:	80009	333-2711-00
-4	386-4542-00		1		SUBPANEL,FRONT: *****ATTACHING PARTS)*****	80009	386-4542-00
-5	213-0229-00		28		SCR,TPG,THD FOR:6-20 X0.375"100 DEG,FLH	93907	OBD
-6	210-0586-00		1		NUT,PL,ASSEM WA:4-40 X 0.25,STL	83385	OBD
-7	211-0038-00		6		SCREW,MACHINE:4-40 X 0.312,FLH,100 DEG *****END ATTACHING PARTS)*****	83385	OBD
-8	348-0748-00		1		FLIPSTAND,CAB.:FULL RACK,SST	80009	348-0748-00
-9	426-1792-00		1		FRAME,CABINET:FRONT *****ATTACHING PARTS)*****	80009	426-1792-00
-10	213-0760-00		8		SCREW,TPG,TF:8-32 X 0.875,SPCL TAPTITE *****END ATTACHING PARTS)*****	93907	OBD
-11	381-0427-00		2		BAR,SUPPORT:CAN,ALUMINUM *****ATTACHING PARTS)*****	80009	381-0427-00
-12	211-0559-00		12		SCREW,MACH:6-32 X 0.375"100 DEG,FLH STL	83385	OBD
-13	211-0512-00		2		SCREW,MACH:6-32 X 0.50" 100 DEG,FLH STL	83385	OBD
-14	211-0630-00		2		SCREW,MACH:6-32 X 1.125,100 DEG,FLH STL *****END ATTACHING PARTS)*****	83385	OBD
-15	361-1134-00		2		SPACER,SLEEVE:0.872 L X 0.125 ID,AL	80009	361-1134-00
-16	361-1135-00		2		SPACER,SLEEVE:0.288 L X 0.213 ID,AL	80009	361-1135-00
-17	437-0232-01		1		CABINET,SA: *****ATTACHING PARTS)*****	80009	437-0232-01
-18	211-0507-01		4		SCREW,MACHINE:6-32 X 0.312 INCH,PNH STL *****END ATTACHING PARTS)*****	83385	OBD
-19	348-0617-00		4		FOOT,CABINET:BOT.EARTH BROWN	80009	348-0617-00
-20	367-0248-01		2		HANDLE,CARRYING:16.341 L,W/CLIP	80009	367-0248-01
-21	200-2191-00		4		CAP,RETAINER:PLASTIC	80009	200-2191-00
-22	390-0844-01		2		CABINET,SIDE:RIGHT	80009	390-0844-01
-23	343-0752-00		4		RETAINER,HANDLE:STAINLESS STEEL	80009	343-0752-00
-24	124-0366-00		2		STRIP,TRIM:CORNER,BOT,BLUE,18.085 L	80009	124-0366-00
	124-0367-00		2		STRIP,TRIM:CORNER,TOP,BLUE,21.585 L	80009	124-0367-00
-25	348-0633-00		4		SHLD,GSKT,ELEK:FINGER TYPE,19.0 L	52961	OBD
	348-0632-00		4		SHLD,GSKT,ELEK:FINGER TYPE,19.0 L	52961	OBD
-26	348-0544-00		4		FOOT,CABINET:REAR,TEK BLUE,POLYCARBONATE *****ATTACHING PARTS)*****	80009	348-0544-00
-27	213-0782-00		1		SCREW,TPG,TF:8-32 X 0.625 FILH,STEEL CD *****END ATTACHING PARTS)*****	93907	OBD
-28	361-1066-00		4		SPACER,PLATE:0.115 THK,AL *****ATTACHING PARTS)*****	80009	361-1066-00
-29	213-0760-00		4		SCREW,TPG,TF:8-32 X 0.875,SPCL TAPTITE *****END ATTACHING PARTS)*****	93907	OBD
-30	426-1793-00		4		FRAME SECT,CAB.: *****ATTACHING PARTS)*****	80009	426-1793-00
-31	211-0007-00		24		SCREW,MACHINE:4-40 X 0.188 INCH,PNH STL *****END ATTACHING PARTS)*****	83385	OBD
-32	386-4572-00		2		SPRT,CHAS TRACK:20.406 L,ALUMINUM *****ATTACHING PARTS)*****	80009	386-4572-00
-33	211-0559-00		6		SCREW,MACHINE:6-32 X 0.375"100 DEG,FLH ST *****END ATTACHING PARTS)*****	83385	OBD
-34	220-0906-00		2		NUT BLOCK:0.772 X 0.375 X 0.25,AL	80009	220-0906-00
-35	361-0052-00		2		SPACER,SLEEVE:0.34 L X 0.172 ID,DELTRIN	80009	361-0052-00
-36	351-0683-00		2		GUIDE,SLIDE: *****ATTACHING PARTS)*****	80009	351-0683-00
-37	210-0586-00		10		NUT,PL,ASSEM WA:4-40 X 0.25,STL	83385	OBD
-38	211-0038-00		10		SCREW,MACHINE:4-40 X 0.312,FLH,100 DEG *****END ATTACHING PARTS)*****	83385	OBD
-39	210-1017-00		10		WASHER,NONMETAL:0.281 ID X 0.875 INCH ID	80009	210-1017-00
-40	386-4532-00		1		PLATE,SIDE:DRAWER,AL *****ATTACHING PARTS)*****	80009	386-4532-00
-41	210-0586-00		10		NUT,PL,ASSEM WA:4-40 X 0.25,STL	83385	OBD
-42	211-0038-00		10		SCREW,MACHINE:4-40 X 0.312,FLH,100 DEG *****END ATTACHING PARTS)*****	83385	OBD

Replaceable Mechanical Parts
492/492P Service Vol. 2 (B030000 & Up)

Fig. & Index No.	Tektronix Part No.	Serial/Model No. Eff	Dscont	Qty	1 2 3 4 5	Name & Description	Mfr Code	Mfr Part Number
12-43	386-4541-00			1		PLATE,DRAWER:RH VERT,AL ***** (ATTACHING PARTS) *****	80009	386-4541-00
-44	210-0586-00			10		NUT,PL,ASSEM WA:4-40 X 0.25,STL	83385	OBD
-45	211-0097-01			13		SCREW,MACHINE:4-40 X 0.312 INCH,PNH STL ***** (END ATTACHING PARTS) *****	83385	OBD
-46	386-4533-00			1		PLATE,DRAWER:ACCESSORY, TOP,AL	80009	386-4533-00
-47	386-4531-00			1		PLATE,DRAWER:ACCESSORY,BOTTOM,AL	80009	386-4531-00
-48	200-2713-00			1		COVER,HOLE:RIGHT ***** (ATTACHING PARTS) *****	80009	200-2713-00
-49	211-0008-01			1		SCREW,MACHINE:4-40 X 0.250,PNH,STL,CD PL ***** (END ATTACHING PARTS) *****	83385	OBD
-50	134-0166-00			2		PLUG,BUTTON:0.25 HOLE,STL (OPTION 030 ONLY)	61864	OBD
-51	134-0156-00			2		BUTTON,PLUG:0.5 HOLE (OPTION 030 ONLY)	77132	SS48152-K1110
-52	134-0138-00			1		BUTTON,PLUG:SNAP-IN (OPTION 030 ONLY)	77132	SS48172
-53	200-2712-00			1		COVER,HOLE:LEFT ***** (ATTACHING PARTS) *****	80009	200-2712-00
-54	211-0008-01			1		SCREW,MACHINE:4-40 X 0.250,PNH,STL,CD PL ***** (END ATTACHING PARTS) *****	83385	OBD
-55	386-4660-00			2		SUPPORT,PLATE:ALUMINUM ***** (ATTACHING PARTS) *****	80009	386-4660-00
-56	211-0025-00			14		SCREW,MACHINE:4-40 X 0.375 100 DEG,FLH ST ***** (END ATTACHING PARTS) *****	83385	OBD
-57	386-4661-00			2		PLATE,SUPPORT:FRAME,AL	80009	386-4661-00
-58	212-0655-00			4		SCREW,CAP:10-24 X 0.625,HEX SOCH,STL	000CY	OBD
-59	333-2712-00			1		PANEL,REAR: ***** (ATTACHING PARTS) *****	80009	333-2712-00
-60	211-0007-01			25		SCREW,MACHINE:4-40 X 0.188 INCH,PNH STL ***** (END ATTACHING PARTS) *****	83385	OBD
-61	390-0804-00			1		CABINET SIDE:INSIDE,RIGHT REAR	80009	390-0804-00
-62	390-0845-00			1		CABINET BOTTOM:INSIDE	80009	390-0845-00
-63	390-0806-00			1		CABINET TOP/BOT:REAR	80009	390-0806-00
-64	390-0805-00			1		CABINET SIDE:INSIDE,LEFT REAR	80009	390-0805-00

Replaceable Mechanical Parts
492/492P Service Vol. 2 (B030000 & Up)

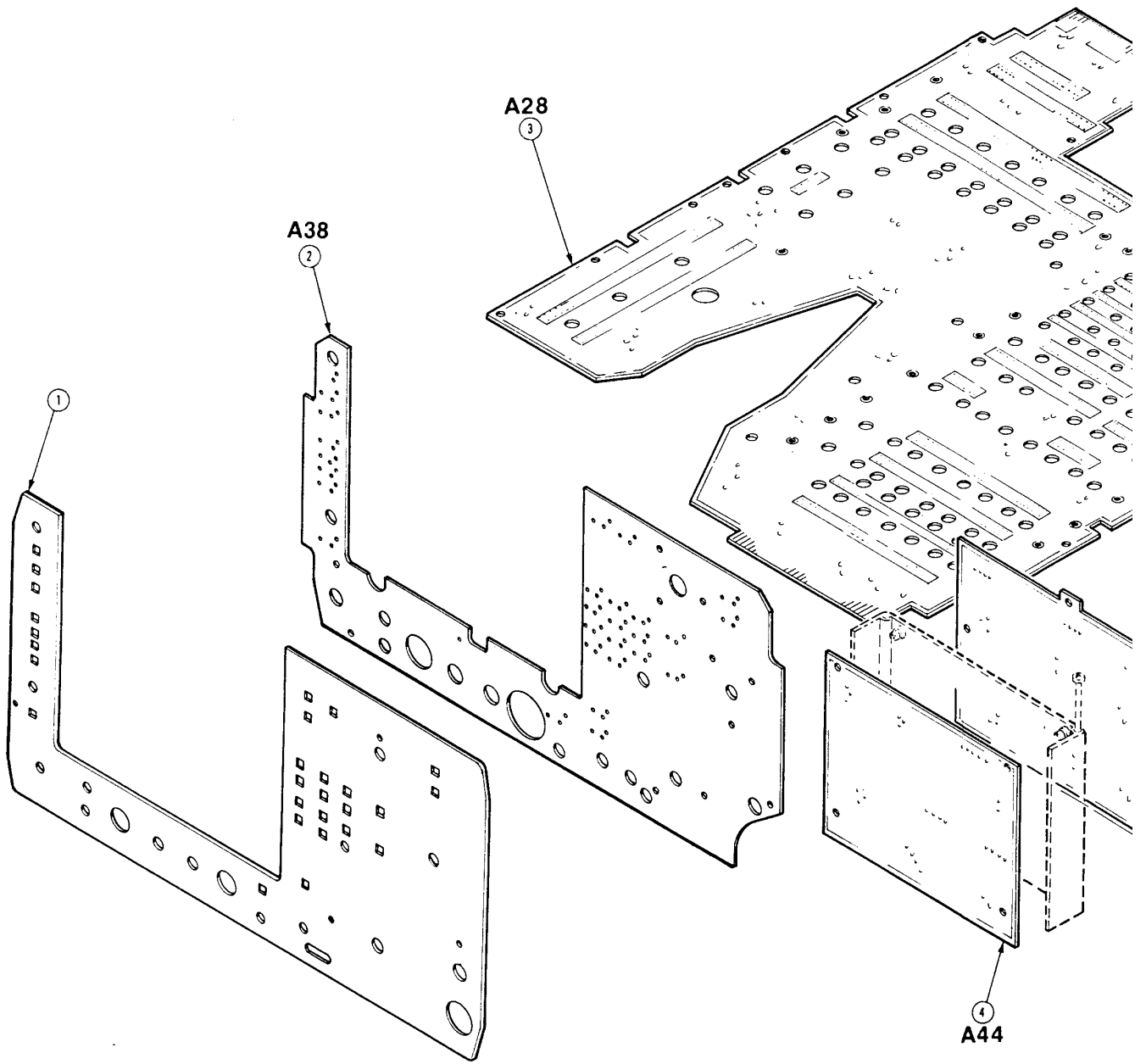
Fig. & Index No.	Tektronix Part No.	Serial/Model No.		Qty	1	2	3	4	5	Name & Description	Mfr Code	Mfr Part Number
		Eff	Dscont									
13-1	-----			1						CABLE ASSY,RF:(SEE W401 REPL)		
	-----			-						(OPTION 031 ONLY)		
-2	-----			1						CABLE ASSY,RF:(SEE W405 REPL)		
	-----			-						(OPTION 031 ONLY)		
-3	-----			1						CABLE ASSY,RF:(SEE W407 REPL)		
	-----			-						(OPTION 031 ONLY)		
-4	-----			1						CABLE ASSY,RF:(SEE W409 REPL)		
	-----			-						(OPTION 031 ONLY)		
-5	-----			1						CABLE ASSY,RF:(SEE W403 REPL)		
	-----			-						(OPTION 031 ONLY)		
-5.1	-----			2						TERMN,COAXIAL:(SEE P110,P112 REPL)		
-6	131-2343-00			7						CONN,RCPT,ELEC:SMA,DOUBLE FEMALE	16733	705628-014
	-----			-						(OPTION 031 ONLY)		
-7	378-0889-00			1						GRILLE,METAL:16.0 X 1.032,AL	80009	378-0889-00
	-----			-						(OPTION 031 ONLY)		
-7.1	124-0387-00			1						STRIP,TRIM:RACKMOUNT HANDLE,LEFT,VINYL	80009	124-0387-00
	-----			-						(OPTION 30 AND 31 ONLY)		
-8	390-0814-00			1						CABINET SIDE:LEFT	80009	390-0814-00
	-----			-						(OPTION 030 AND 31 ONLY)		
-9	-----			1						CABLE ASSY,RF:(SEE W402 REPL)		
	-----			-						(OPTION 031 ONLY)		
-10	-----			1						CABLE ASSY,RF:(SEE W404 REPL)		
	-----			-						(OPTION 031 ONLY)		
-11	-----			1						CABLE ASSY,RF:(SEE W406 REPL)		
	-----			-						(OPTION 031 ONLY)		
-12	-----			1						CABLE ASSY,RF:(SEE W400 REPL)		
	-----			-						(OPTION 031 ONLY)		
-13	-----			1						CABLE ASSY,RF:(SEE W408 REPL)		
	-----			-						(OPTION 031 ONLY)		
-14	343-0001-00			5						CLAMP,LOOP:0.15 INCH DIA,PLASTIC	95987	1-8-6B
	-----			-						(OPTION 031 ONLY)		
-15	210-0586-00			5						***** (ATTACHING PARTS) *****		
	-----			-						NUT,PL,ASSEM WA:4.40 X 0.25,STL	83385	OBD
-16	210-0863-00			5						WSHR,LOOP CLP:0.187 ID U/W 0.5 W CLP,STL	95987	C191
	-----			-						(OPTION 031 ONLY)		
-17	210-1093-00	B030000	B031101	5						WASHER,FLAT:0.188 ID X 0.312 OD X 0.156	83385	OBD
	-----			-						(OPTION 031 ONLY)		
	210-1092-00	B031102		5						WASHER,FLAT:0.147 ID X 0.312" OD,BRS	12327	OBD
	-----			-						(OPTION 031 ONLY)		
-18	211-0198-00	B030000	B031101	5						SCREW,MACHINE:4.40 X 0.438 PNH,STL,POZ	77250	OBD
	-----			-						(OPTION 031 ONLY)		
	211-0014-00	B031102		5						SCREW,MACHINE:4.40 X 0.50 INCH,PNH STL	83385	OBD
	-----			-						(OPTION 031 ONLY)		
	436-0160-00			1						***** (END ATTACHING PARTS) *****		
-19	386-4747-00			1						DRAWER,ACCESS:	80009	436-0160-00
	-----			1						SUPPORT,CABLE:12.607 X 0.75,AL	80009	386-4747-00
	-----			-						***** (ATTACHING PARTS) *****		
-20	211-0097-01			4						SCREW,MACHINE:4.40 X 0.312 INCH,PNH STL	83385	OBD
	-----			-						***** (END ATTACHING PARTS) *****		
-21	367-0304-00			1						.HDL,ACCESS,DWR:ALUMINUM	80009	3670304-00
	-----			-						***** (ATTACHING PARTS) *****		
-22	211-0101-01			2						.SCREW,MACH:4.40 X 0.25,100 DEG,FLH STL	83385	OBD
	-----			-						***** (END ATTACHING PARTS) *****		
-23	366-0488-00			1						.KNOB:AL,0.251 ID X 0.5 OD X 0.62	80009	366-0488-00
	213-0005-00			1						..SETSCREW:8-32 X 1.25 INCH,HEX SOC ST	74445	OBD
	386-4545-00			1						.SUBPANEL,FRONT:	80009	386-4545-00
	-----			-						***** (ATTACHING PARTS) *****		
-25	210-0586-00			4						.NUT,PL,ASSEM WA:4.40 X 0.25,STL	83385	OBD
	-----			-						***** (END ATTACHING PARTS) *****		
-26	214-3305-00			1						.FASTENER,PAWL:RIGHT,ADJUSTABLE	94222	43-99-124-41
	-----			-						***** (ATTACHING PARTS) *****		

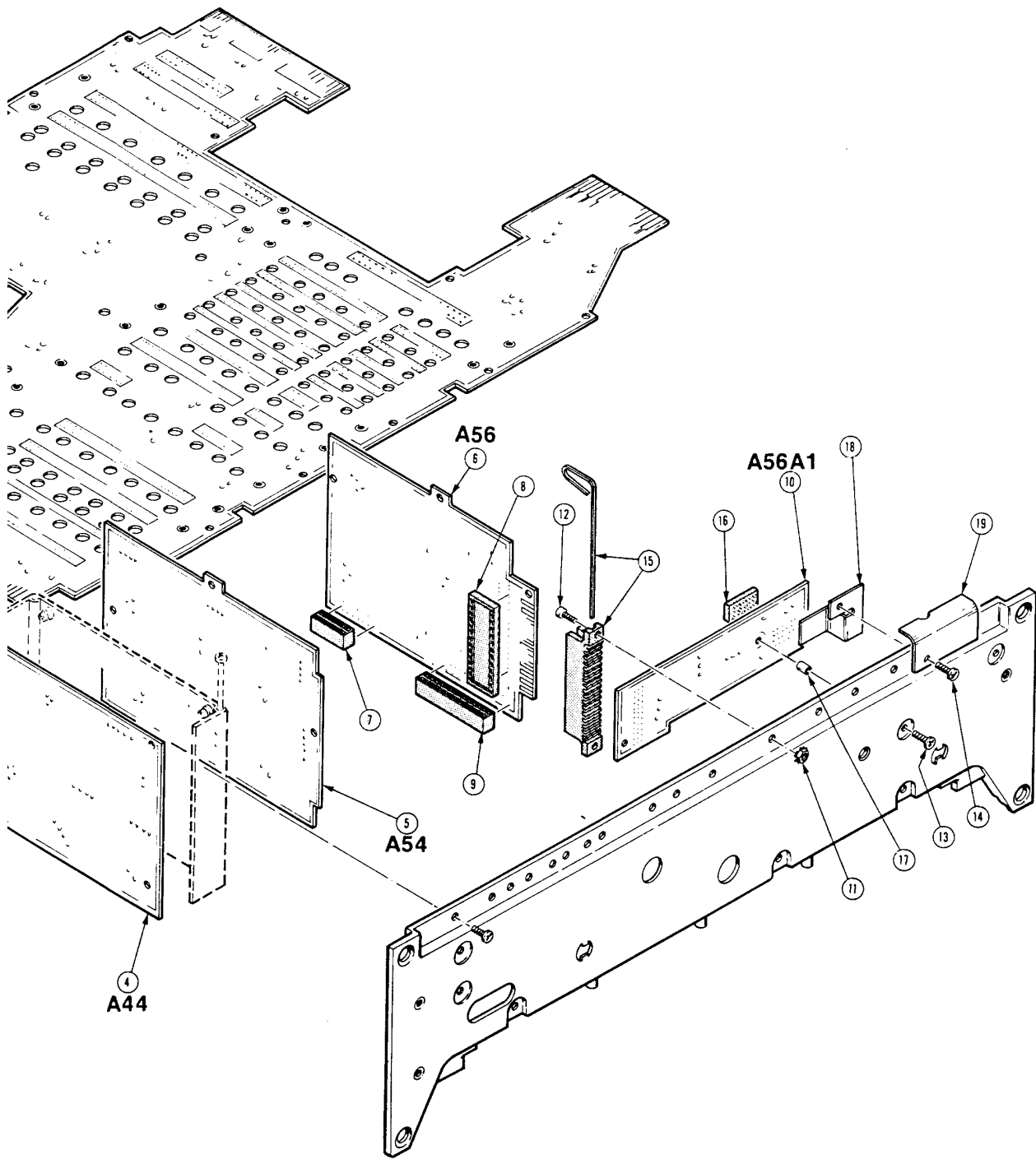
**Replaceable Mechanical Parts
492/492P Service Vol. 2 (B030000 & Up)**

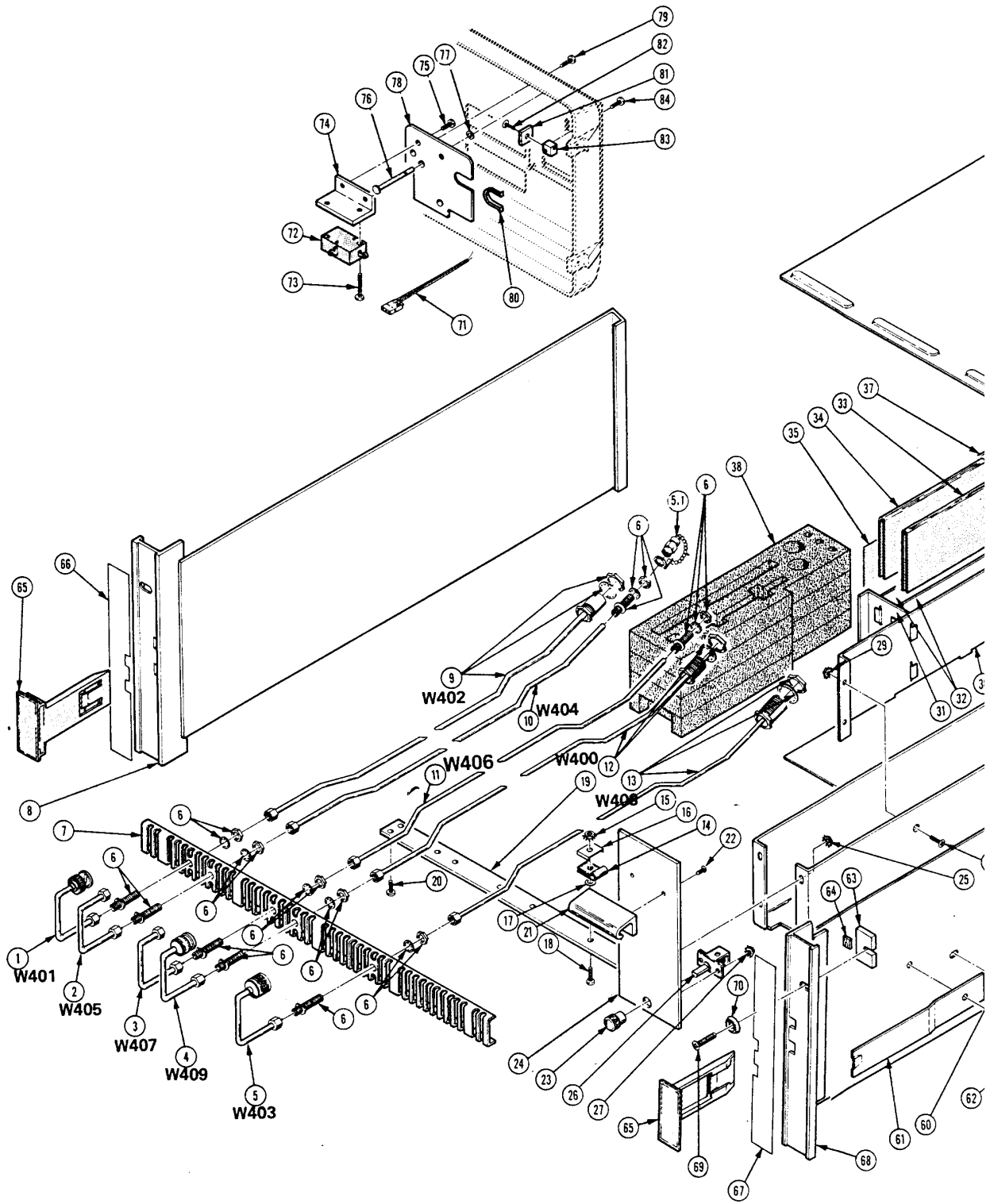
Fig. & Index No.	Tektronix Part No.	Serial/Model No. Eff	Dscont	Qty	1 2 3 4 5	Name & Description	Mfr Code	Mfr Part Number
13-27	210-0586-00			2		.NUT,PL,ASSEM WA:4-40 X 0.25,STL(END ATTACHING PARTS).....	83385	OBD
-28	380-1602-00			1		.HOUSING,DRAWER:ACCESSORY,AL(ATTACHING PARTS).....	80009	380-1602-00
-29	210-0586-00			8		.NUT,PL,ASSEM WA:4-40 X 0.25,STL	83385	OBD
-30	211-0101-01			8		.SCREW,MACH:4-40 X 0.25,100 DEG,FLH STL(END ATTACHING PARTS).....	83385	OBD
-31 3	86-4604-00			1		.DIVIDER,ACCESS:2.296 X 3.175,AL	80009	386-4604-00
-32	386-4605-00			2		.DIVIDER,ACCESS:5.392 X 3.625,AL	80009	386-4605-00
-33	348-0709-00			1		.PAD,CUSHIONING:5.281 X 3.125,VOLARA	80009	348-0709-00
-34 3	48-0708-00			1		.PAD,CUSHIONING:5.28 X 6.25,VOLARA	80009	348-0708-00
-35	342-0556-00			1		.INSULATOR,PLATE:FILTER,POLYESTER	80009	342-0556-00
-36	386-4604-00			1		.DIVIDER,ACCESS:2.296 X 3.175,AL	80009	386-4604-00
-37	333-2717-00			1		.PANEL,REAR:ACCESS,DRAWER,AL	80009	333-2717-00
-38	377-0520-00			1		.INSERT,DRAWER:ACCESS,POLYURETHANE	80009	377-0520-00
-39	390-0752-00			1		CABINET, TOP:TEK BLUE	80009	390-0752-00
-39.1	175-4465-00			1		CA ASSY,SP,ELEC:2.22 AWG,5.0 L,RIBBON	80009	175-4465-00
	352-0161-00			1		.HLDR,TERM CONN:3 WIRE,BLACK	80009	352-0161-00
-40	200-2222-00			1		GUARD,FAN:(ATTACHING PARTS).....	81041	6-182-G33
-41	211-0552-00	B030000	B031102	4		SCREW,MACHINE:6-32 X 2 INCH,PNH STL	83385	OBD
	211-0623-00	B031102		4		SCREW,MACHINE:6-32 X 2.25 INCHES,PNH,STL	83385	OBD
-42	210-0803-00	B030000	B031101	4		WASHER,FLAT:0.15 ID X 0.032 THK,STL CD	12927	OBD
	210-0858-00	B031102		4		WASHER,FLAT:0.500 OD X 0.171 ID X 0.063(END ATTACHING PARTS).....	80009	210-0858-00
-43	337-2823-00			1		SHIELD,FAN:ALUMINUM	80009	337-2823-00
-44	348-0003-00			4		GROMMET,RUBBER:0.312 INCH DIAMETER	70485	1411B6040
-45	361-1161-00			4		SPACER,SLEEVE:1.75 L X 0.144 ID,AL	80009	361-1161-00
-46	-----			1		FAN,VENTILATING(SEE B200 REPL)		
-47	348-0728-00			1		GASKET:FAN HOUSING	80009	348-0728-00
-48	131-1547-00			1		CONN,RCPT,ELEC:MALE,0.04 DIA CONT(ATTACHING PARTS).....	81312	JFZP
-49	211-0030-00			1		SCREW,MACHINE:2-56 X 0.25*82 DEG,FLH STL(END ATTACHING PARTS).....	83385	OBD
-50	220-0918-00			1		NUT BLOCK:0.306 X 0.25 SQ(ATTACHING PARTS).....	80009	220-0918-00
-51	211-0001-00			1		SCREW,MACHINE:2-56 X 0.25 INCH,PNH STL(END ATTACHING PARTS).....	87308	OBD
-52	334-4447-00			1		MARKER,IDENT:MKD CAUTION	80009	334-4447-00
-53	378-0172-00			1		DUCT,AIR:W/TAN HOUSING,AL(ATTACHING PARTS).....	80009	378-0172-00
-54	211-0552-00			2		SCREW,MACHINE:6-32 X 2 INCH,PNH STL	83385	OBD
-55	210-0858-00			2		WASHER,FLAT:0.500 OD X 0.171 ID X 0.063(END ATTACHING PARTS).....	80009	210-0858-00
-56	390-0749-00			1		CABINET BOTTOM:TEK BLUE	80009	390-0749-00
-57	351-0623-00			PR		SLIDE,DWR,EXT:22.0 L X 1.54,STEEL (OPTION 30 AND 31 ONLY)	80009	351-0623-00
-58	351-0104-00			PR		SLIDE SECT,DWR:12.625 X 2.25 (OPTION 30 AND 31 ONLY)	06666	C-1353
-59	212-0591-00			2		SCREW,MACHINE:10-32 X 0.750 INCH OVH STL (OPTION 30 AND 31 ONLY)	83385	OBD
-60	210-0020-00			2		WASHER,LOCK:#12 INTL,0.025 THK,STL CD PL (OPTION 30 AND 31 ONLY)	80009	210-0020-00
	210-0445-00			2		NUT,PLAIN,HEX.:10-32 X 0.375 INCH,STL	83385	OBD
61	105-0787-00			2		LATCH,RETAINING:RACKMOUNT,SST (OPTION 30 AND 31 ONLY)(ATTACHING PARTS).....	80009	105-0787-00
-62	212-0023-00			2		SCREW,MACHINE:8-32 X 0.375,PNH,STL CD PL (OPTION 30 AND 31 ONLY)(END ATTACHING PARTS).....	83385	OBD
-63	361-1007-00			2		SPACER,HANDLE:0.156 THK,1.25 W,0.65 H (OPTION 30 AND 31 ONLY)	80009	361-1007-00
64	348-0631-00			2		PAD,CUSHIONING:0.375 X 0.5 X 0.062 (OPTION 30 AND 31 ONLY)	85471	OBD

Replaceable Mechanical Parts
492/492P Service Vol. 2 (B030000 & Up)

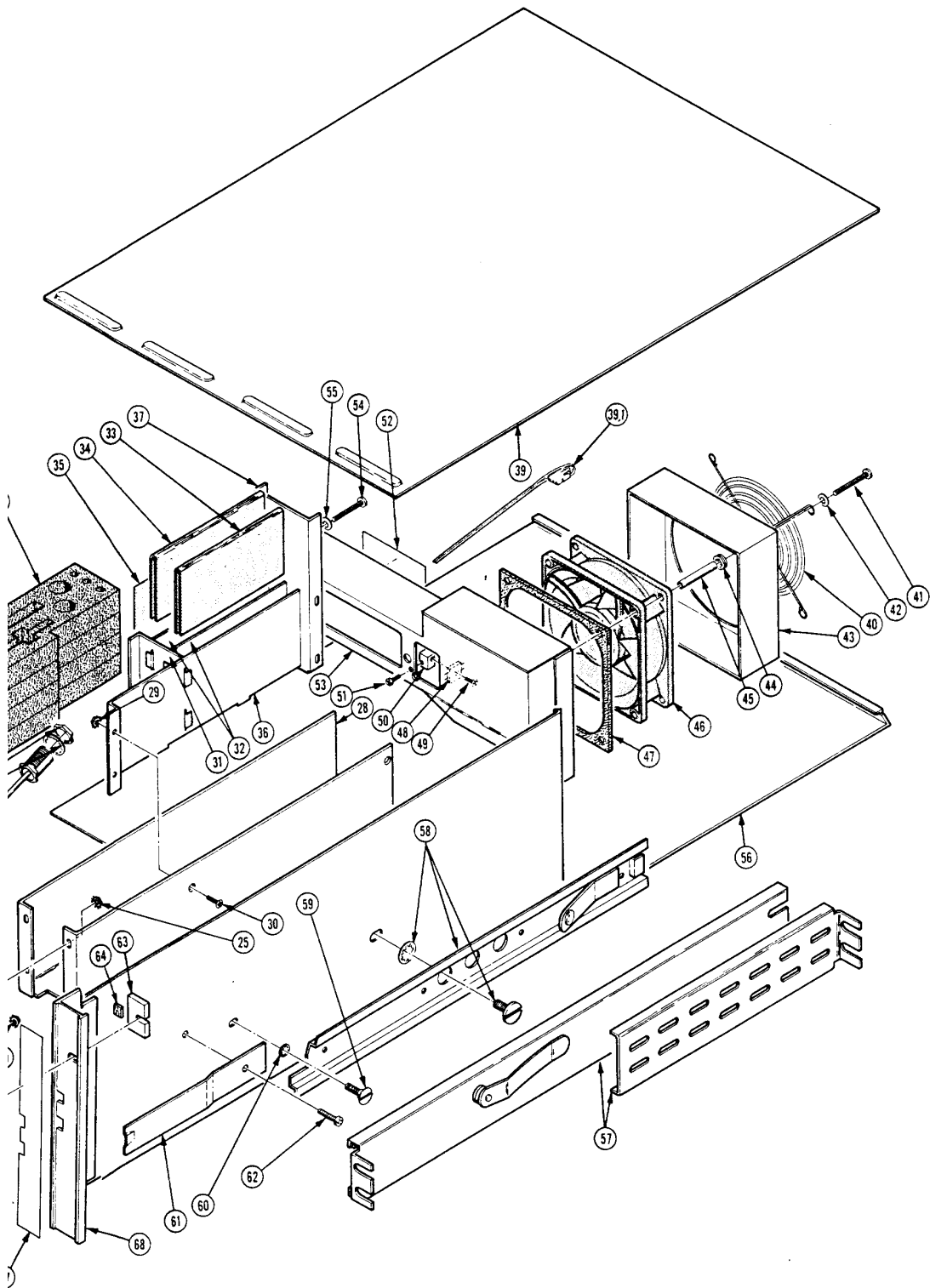
Fig. & Index No.	Tektronix Part No.	Serial/Model No. Eff Dscont	Qty	1 2 3 4 5	Name & Description	Mfr Code	Mfr Part Number
13-65	105-0786-01		2		RELEASE,LATCH:W/COVER,PLASTIC (OPTION 30 AND 31 ONLY)	80009	105-0786-01
-66	124-0387-00		1		STRIP,TRIM:RACKMOUNT HANDLE,LEFT,VINYL (OPTION 30 AND 31 ONLY)	80009	124-0387-00
-67	124-0392-00		1		STRIP,TRIM:RACKMOUNT HANDLE,RIGHT VINY (OPTION 30 AND 31 ONLY)	80009	124-0392-00
-68	390-0813-00		1		CABINET SIDE:RIGHT (OPTION 30 AND 31 ONLY)	80009	390-0813-00
-69	210-1298-00		2		WSHR,SHLDR&RECD:0.195 ID X 0.195 THK (OPTION 30 AND 31 ONLY)	80009	210-1298-00
-70 2	12-0591-00		2		SCREW,MACHINE:10-32 X 0.750 INCH OVH STL (OPTION 30 AND 31 ONLY)	83385	OBD
	621-0483-00		1		POWER SUPPLY:HIGH VOLTAGE (RACKMOUNT & BENCH MODEL POWER SUPPLY .SEE FIG. 6 FOR COMMON PARTS)	80009	621-0483-00
-71	175-4465-00		1		.CA ASSY,SP,ELEC:2,22 AWG,5.0 L,RIBBON	80009	175-4465-00
-72	352-0161-00		1		.HLDR,TERM CONN:3 WIRE,BLACK .SWITCH.SLIDE:(SEE S301 REPL(ATTACHING PARTS).....	80009	352-0161-00
-73	211-0016-00		2		.SCREW,MACHINE:4-40 X 0.625 INCH,PNH STL(END ATTACHING PARTS).....	83385	OBD
-74	407-2711-00		1		.BRACKET,ANGLE:SWITCH MOUNTING,AL(ATTACHING PARTS).....	80009	407-2711-00
-75	211-0008-00		2		.SCREW,MACHINE:4-40 X 0.250,PNH,STL,CD PL(END ATTACHING PARTS).....	83385	OBD
-76	214-3203-00		1		.ACTUATOR,SWITCH:(ATTACHING PARTS).....	80009	214-3203-00
-77	354-0163-00		1		.RING,RETAINING:TRUARC,CAD PLATE(END ATTACHING PARTS).....	79136	5133-12MD
-78	378-0180-00		1		.BAFFLE,AIR:(ATTACHING PARTS).....	80009	378-0180-00
-79	211-0008-01		2		.SCREW,MACHINE:4-40 X 0.250,PNH,STL,CD PL(END ATTACHING PARTS).....	83385	OBD
-80	348-0171-00		1		.GROMMET,PLASTIC:U-SHAPED	80009	348-0171-00
-81	131-1548-00		1		.CONN,RCPT,ELEC:FEMALE,0.04 DIA CONT(ATTACHING PARTS).....	81312	JF2S
-82	211-0030-00		1		.SCREW,MACHINE:2-56 X 0.25'82 DEG,FLH STL(END ATTACHING PARTS).....	83385	OBD
-83	220-0899-00		1		.NUT BLOCK:0.375 X 0.25 SQ(ATTACHING PARTS).....	80009	220-0899-00
-84	211-0211-00		1		.SCR,CAP,SOC HD:4-40 X 0.188 INCH,STL(END ATTACHING PARTS).....	000AH	OBD







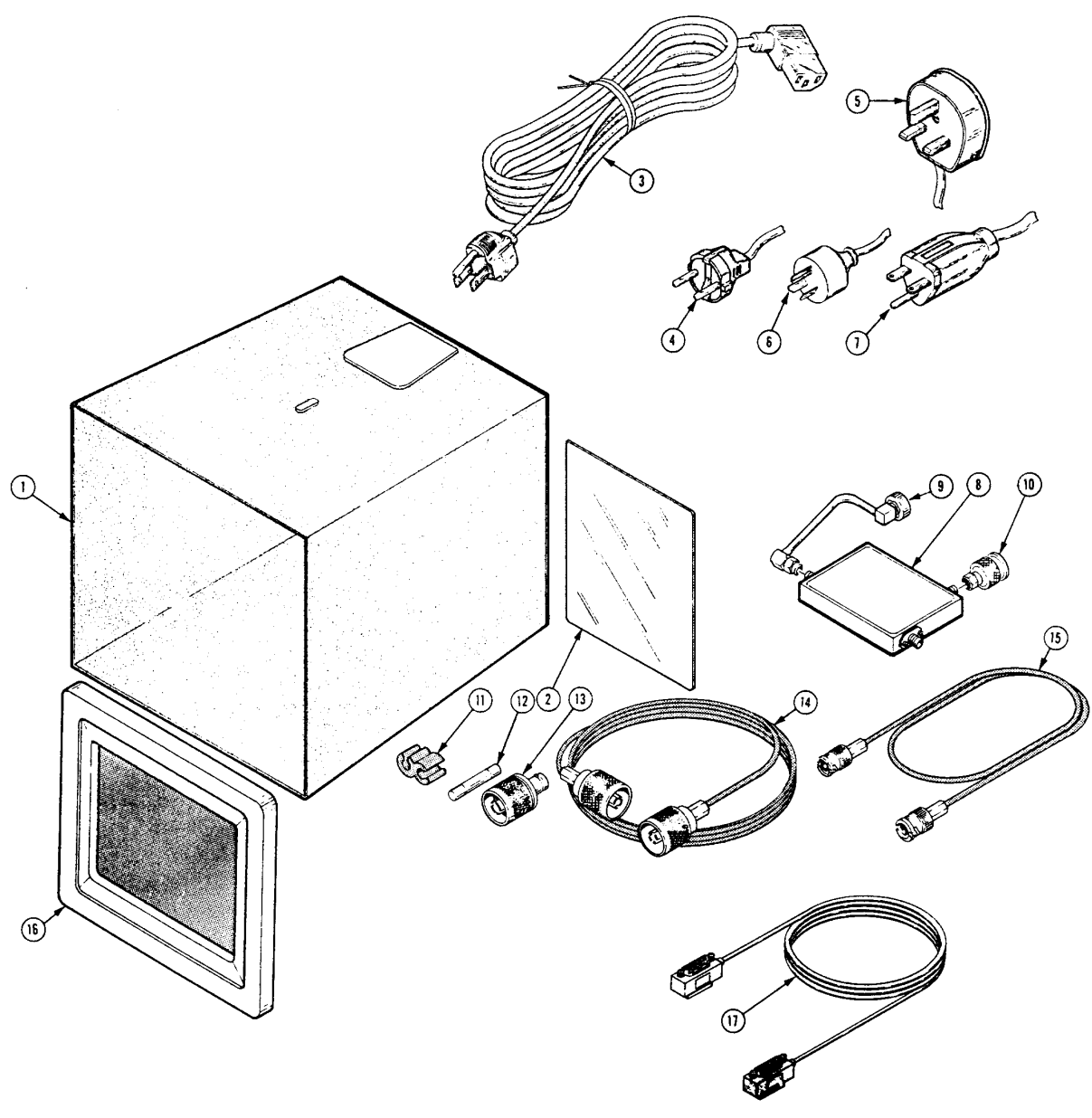
REV JUN 1982



REV JUN 1982

492/492P SERVICE VOL. 2 (B030000 & up)

Fig. & Index No.	Tektronix Part No.	Serial/Model No.		Qty	1	2	3	4	5	Name & Description	Mfr	
		Eff	Dscont								Code	Mfr Part Number
-1	016-0653-00			1						VISOR,CRT:FOLDING	80009	016-0653-00
-2	378-0115-01			1						FILTER,LT,CRT:AMBER,4.176 X3.418,PLASTIC	80009	378-0115-01
	378-0115-02			1						FILTER,LT,CRT:GRAY,4.176 X 3.418,PLASTIC	80009	378-0115-02
-3	161-0118-00			1						CABLE ASSY,PWR,:3,16 AWG,125V,90.0 L	16428	KH-8686
-4	161-0132-00			1						CABLE ASSY,PWR:220V,3.05M LONG	000HC	OBD
	-----			-						(OPTION A1 ONLY)		
-5	161-0133-00			1						CABLE ASSY,PWR:240V,3.05M LONG	000HC	OBD
	-----			-						(OPTION A2 ONLY)		
-6	161-0135-00			1						CABLE ASSY,PWR:240V,3.05M LONG	000HC	OBD
	-----			-						(OPTION A3 ONLY)		
-7	161-0134-00			1						CABLE ASSY,PWR:240V,3.05M LONG	000HC	OBD
	-----			-						(OPTION A4 ONLY)		
-8	015-0385-00			1						WG MIXER DIPLXR:	80009	015-0385-00
-9	015-1055-00			1						. CABLE ASSY,RF:50 OHM COAX,3.382 INCH LONG	80009	015-1055-00
-10	015-0388-00			1						. ADAPTER,CONN:TNC MALE TO SMA MALE	05617	901168
-11	343-0170-00			1						RTNR,CA TO CA:U/W 0.25 OD CABLES	80009	343-0170-00
-12	159-0017-00			1						FUSE,CARTRIDGE:3AG,4A,250V,FAST BLOW	71400	MTH4
-13	103-0045-00			1						ADAPTER,CONN:BNC FEMALE TON MALE	91836	KN99-35
-14	012-0114-00			1						CABLE ASSY,RF:50 OHM COAX,72.0 L	91836	K-3802
-15	012-0076-00			1						CABLE ASSY,RF:50 OHM COAX,20.0 L	80009	012-0076-00
-16	378-0887-00			1						FILTER,MESH:EMI	80009	378-0887-00
	070-2726-02			1						MANUAL,TECH:OPERATORS	80009	070-2726-02
	070-2729-00			1						MANUAL,TECH:OPERATORS HANDBOOK	80009	070-2729-00
	070-3783-01			1						MANUAL,TECH:SERVICE,492 VOL 1	80009	070-3783-01
	070-3784-01			1						MANUAL,TECH:SERVICE,492 VOL 2	80009	070-3784-01
	070-3401-00			1						MANUAL,TECH:PROGRAMMERS GUIDE	80009	070-3401-00
	-----			-						(492P ONLY)		
-17	012-0630-03			1						CABLE,INTCON:2 METERS L	74868	AC30147-102
	-----			-						(492P ONLY)		



Fi
In
No

Replaceable Mechanical Parts
492/492P Service Vol. 2 (B030000 & Up)

Fig. & Index No.	Tektronix Part No.	Serial/Model No.		Qty	Name & Description					Mfr Code	Mfr Part Number
		Eff	Dscont		1	2	3	4	5		
ACCESSORIES											
-1	016-0653-00			1	VISOR,CRT:FOLDING					80009	016-0653-00
-2	378-0115-01			1	FILTER,LT,CRT:AMBER,4.176 X 3.418,PLASTIC					80009	378-0115-01
	378-0115-02			1	FILTER,LT,CRT:GRAY,4.176 X 3.418,PLASTIC					80009	378-0115-02
-3	161-0118-00	B030000	B042515	1	CABLE ASSY,PWR.:3,16 AWG,125V,90.0 L					16428	KH-8686
	-----			-	(492P ONLY)						
	161-0104-00	B042516		1	CABLE ASSY,PWR.:3 WIRE,98.0" LONG					16428	KH8352
	-----			-	(492P ONLY)						
-4	161-0132-00			1	CABLE ASSY,PWR:220V,3.05M LONG					S3109	OBD
	-----			-	(OPTION A1 ONLY)						
-5	161-0133-00			1	CABLE ASSY,PWR:240V,3.05M LONG					000HC	OBD
	-----			-	(OPTION A2 ONLY)						
-6	161-0135-00			1	CABLE ASSY,PWR:240V,3.05M LONG					S3109	OBD
	-----			-	(OPTION A3 ONLY)						
-7	161-0134-00			1	CABLE ASSY,PWR:240V,3.05M LONG					000HC	OBD
	-----			-	(OPTION A4 ONLY)						
	161-0167-00	B042800		1	CABLE ASSY,PWR:30 X0.75,6A,240V,2.5M					S3109	OBD
	-----			-	(OPTION A% ONLY)						
-8	015-0385-00			1	WG MIXER DIPLXR:					80009	015-0385-00
-9	015-1055-00			1	.CABLE ASSY,RF:50 OHM COAX,3.382 IN LONG					80009	015-1055-00
-10	015-0388-00			1	.ADAPTER,CONN:TNC MALE TO SMA MALE					05617	901168
-11	343-0170-00			1	RTNR,CA TO CA:U/W 0.25 OD CABLES					80009	343-0170-00
-12	159-0017-00			1	FUSE,CARTRIDGE:3AG,4A,250V,FAST BLOW					71400	MTH4
-13	103-0045-00			1	ADAPTER,CONN:BNC FEMALE TO N MALE					91836	KN99-35
-14	012-0114-00			1	CABLE ASSY,RF:50 OHM COAX,72.0 L					91836	K-3802
-15	012-0076-00			1	CABLE ASSY,RF:50 OHM COAX,20.0 L					80009	012-0076-00
-16	378-0887-00			1	FILTER,MESH:EMI					80009	378-0887-00
	070-2726-02			1	MANUAL,TECH:OPERATORS					80009	070-2726-02
	070-2729-00			1	MANUAL,TECH:OPERATORS HANDBOOK					80009	070-2729-00
	070-3783-01			1	MANUAL,TECH:SERVICE,492 VOL 1					80009	070-3783-01
	070-3784-01			1	MANUAL,TECH:SERVICE,492 VOL 2					80009	070-3784-01
	070-3401-00			1	MANUAL,TECH:PROGRAMMERS GUIDE					80009	070-3401-00
	-----			-	(492P ONLY)						
-17	012-0630-03			1	CABLE,INTCON:2 METERS L					74868	AC30147-102
	-----			-	(492P ONLY)						
	159-0023-00	B042800		2	FUSE,CARTRIDGE:3AG,2A,250V,SLOW BLOW					71400	MDX2

MANUAL CHANGE INFORMATION

At Tektronix, we continually strive to keep up with latest electronic developments by adding circuit and component improvements to our instruments as soon as they are developed and tested.

Sometimes, due to printing and shipping requirements, we can't get these changes immediately into printed manuals. Hence, your manual may contain new change information on following pages.

A single change may affect several sections. Since the change information sheets are carried in the manual until all changes are permanently entered, some duplication may occur. If no such change pages appear following this page, your manual is correct as printed.

TEKTRONIX MANUALS CHANGE INFORMATION

Date: May 23, 1983
Product: 492P Spectrum Analyzer Service Vol. 2
Manual Part No.: 070-3784-01
Change Reference: C11/583 Revised

 DESCRIPTION

Revised 8-29-83

ELECTRICAL PARTS LIST ADDITIONS FOR 492P OPTION 11 ONLY!!

ADD:

A54	670-8414-00*	CKT BOARD ASSY: MEMORY (492P OPTION 11 ONLY)	
A54U1012	160-2202-00	MICROCIRCUIT, DI; 2048 X 8 EPROM,	PRGM
A54U1023	160-2203-00	MICROCIRCUIT, DI; 2048 X 8 EPROM,	PRGM
A54U1028	160-2204-00	MICROCIRCUIT, DI; 2048 X 8 EPROM,	PRGM
A54U2012	160-2205-00	MICROCIRCUIT, DI; 2048 X 8 EPROM,	PRGM
A56	670-8413-00*	CKT BOARD ASSY: GPIB (492P OPTION 11 ONLY)	
A56U2012	160-2206-00	MICROCIRCUIT, DI; 2048 X 8 EPROM,	PRGM
A56U2019	160-2207-00	MICROCIRCUIT, DI; 2048 X 8 EPROM,	PRGM
A56U2025	160-2208-00	MICROCIRCUIT, DI; 2048 X 8 EPROM,	PRGM
A56U2031	160-2209-00	MICROCIRCUIT, DI; 2048 X 8 EPROM,	PRGM
A56U3012	160-2210-00	MICROCIRCUIT, DI; 2048 X 8 EPROM,	PRGM
A56U3019	160-2211-00	MICROCIRCUIT, DI; 2048 X 8 EPROM,	PRGM
A56U3025	160-2212-00	MICROCIRCUIT, DI; 2048 X 8 EPROM,	PRGM
A56U3031	160-2213-00	MICROCIRCUIT, DI; 2048 X 8 EPROM,	PRGM

ACCESSORY CHANGE FOR 492P OPTION 11 ONLY!!

015-1018-00 ADAPTER, SMA TO TYPE N

*Denotes revision

Date: 8-20-81 Change Reference: C11/881 Rev.

Product: 492/492P Spectrum Analyzer Vol. 2 Manual Part No.: 070-3784-01

DESCRIPTION

ELECTRICAL PARTS LIST AND SCHEMATIC CHANGES Revised 12-6-83

ADD:

A38DS1029	150-0093-01	LAM, INCAND: 5V, 0.06A, 6833a515, WIRE
A38Q1031	151-0629-01	PHOTOTRANSISTOR: 30V., 6mA MIN GaAs, TO-18
A38Q1037	151-0629-01	PHOTOTRANSISTOR: 30V., 6mA MIN GaAs, TO-18

TEKTRONIX MANUALS CHANGE INFORMATION

Date: March 26, 1984
Product: 492/492P Serv. 2 Manual Part No.: 070-3784-01
Change Reference: C14/384 Product Group: 26

=====

DESCRIPTION

=====

ELECTRICAL PARTS LISTS ADDITIONS FOR OPTION 41

ADD:

A54	670-8469-00	CKT BOARD ASSY: MEMORY (492 OPTION 41 ONLY)
A54	670-8470-00	CKT BOARD ASSY: MEMORY (492P OPTION 41 ONLY)
	119-1140-01	YIG TUNED FILTER (492 OPTION 01 AND OPTION 41 ONLY)
A54U1017	160-2588-00	MICROCKT, DGTL: 2048 X 8, PRGM

MECHANICAL PARTS LIST ADDITION FOR OPTION 41

	337-1377-00	LABEL, IDENTIFICATION
--	-------------	-----------------------

TEKTRONIX MANUALS CHANGE INFORMATION

Date: 5-12-83
Product: see below
Manual Part No.: see below
Change Reference: M45143

=====

DESCRIPTION

=====

EFF SN B043041 (492/492P SPECTRUM ANALYZER) 070-3784-01
EFF SN B010640 (496/496P SPECTRUM ANALYZER) 070-3482-00
EFF SN B610644 (492/6 & 492P/6 SPECTRUM ANALYZER) 070-4233-00

ELECTRICAL PARTS LIST CHANGES

CHANGE TO:

A38 670-7050-01 CKT. BOARD ASSY:FRONT PANEL
(492/492P)

A38 670-7141-01 CKT BOARD ASSY:FRONT PANEL
(496/496P, 492/6 & 492P/6)

DESCRIPTION

EFF SN B042000

ELECTRICAL PARTS LIST AND SCHEMATIC CHANGES

CHANGE TO:

A22A2A1	670-7395-01	CKT BOARD ASSY:2182 MHZ MICROSTRIP OSC
A22A2	119-1457-01	PH LOCK LO ASSY:

REMOVE:

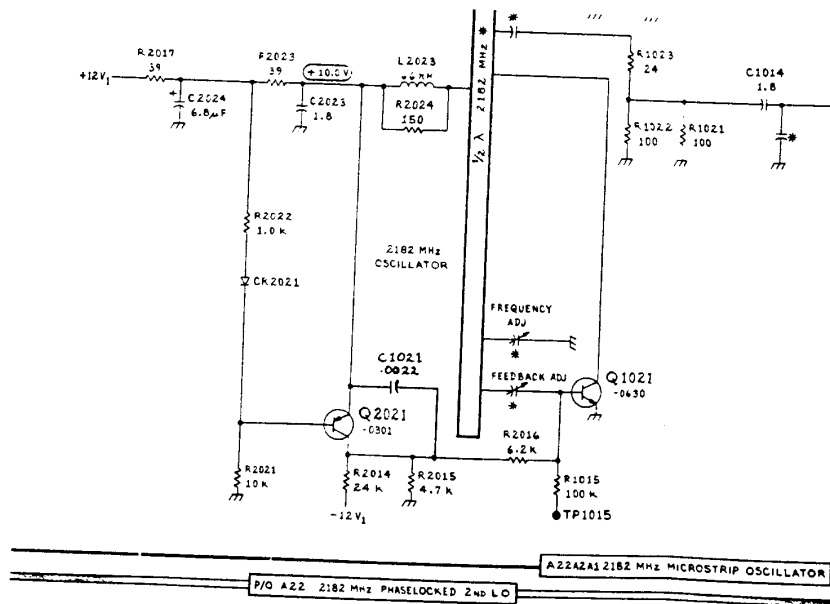
A22A2A1C2014	283-0176-00	CAP., FXD, CER DI:0.0022UF, 20%, 50V
A22A2A1C2021	283-0220-00	CAP., FXD, CER DI:0.01UF, 20%, 50V

ADD:

A22A2A1C1021	283-0176-00	CAP., FXD, CER DI:0.0022UF, 20%, 50V
--------------	-------------	--------------------------------------

The above parts are located on the A22A2A1 2182 MHz MICROSTRIP OSCILLATOR board and shown on diagram PHASELOCKED 2ND LO (PHASE LOCK SECT) SN B040000 & UP)

38B - Partial



DESCRIPTION

Product Group 26

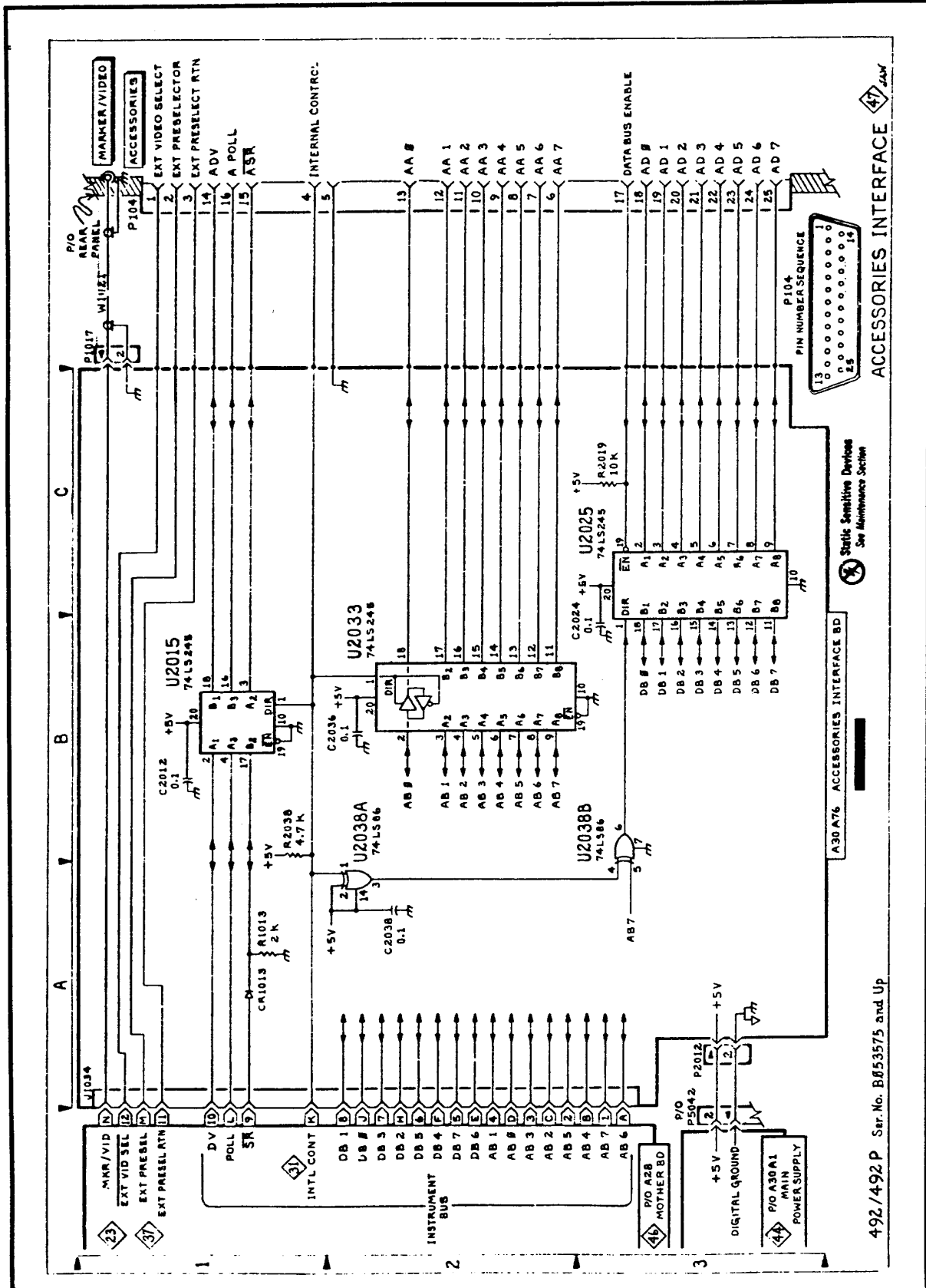
EFF SN B053575 ELECTRICAL PARTS LIST AND SCHEMATIC CHANGES * Revised 12-2-83

CHANGE TO:

A30	621-0481-02*	POWER SUPPLY: (492P ONLY)
A30	621-0483-01	POWER SUPPLY:HIGH VOLTAGE (492 OPTION 30,31,32 ONLY)
A30	621-0485-01	POWER SUPPLY:HIGH VOLTAGE 492P OPTION 30,31,32 ONLY)
A30	621-0488-01	POWER SUPPLY:HIGH VOLTAGE (492 ONLY)
A30A76	670-5558-02	CKT BOARD ASSY:ACCESSORIES INTERFACE
A40	670-5539-03	CKT BOARD ASSY:VIDEO PROCESSOR
A40C3042	290-0755-00	CAP.,FXD,ELCTLT:100UF,+50-10%,10V
A40C3048	290-0745-00	CAP.,FXD,ELCTLT:22UF,+50-10%,25V
A40C3052	290-0745-00	CAP.,FXD,ELCTLT:22UF,10%,35V
A40R3065	315-0303-00	RES.,FXD,CMPSN:30K OHM,5%,0.25W
A40R4023	321-0816-00	RES.,FXD,FILM:5.0K OHM,1%,0.125W (OPTION 01 ONLY)
ADD:		
A40CR4060	152-0141-02	SEMICOND DEVICE:SILICON,30V,150
A40L4042	108-0881-00	COIL,RF:FIXED,40.1UH
A40Q4060	151-0302-00	TRANSISTOR:SILICON,NPN (OPTION 01 ONLY)
A40R1012	311-1338-00	RES.,VAR,NONWIR:20K OHM,0.5W
A40R4060	315-0471-00	RES.,FXD,CMPSN:470 OHM,5%,0.25W
A40R4068	315-0241-00	RES.,FXD,CMPSN:240 OHM,5%,0.25W
REMOVE:		
A40C4061	283-0644-00	CAP.,FXD,MICA D:150PF,1%,500V

The above added parts are located on the A40 VIDEO PROCESSOR BD and shown on diagram VIDEO PROCESSOR 23 - Schematic included

* Replace 47 ACCESSORIES INTERFACE schematic with the attached:



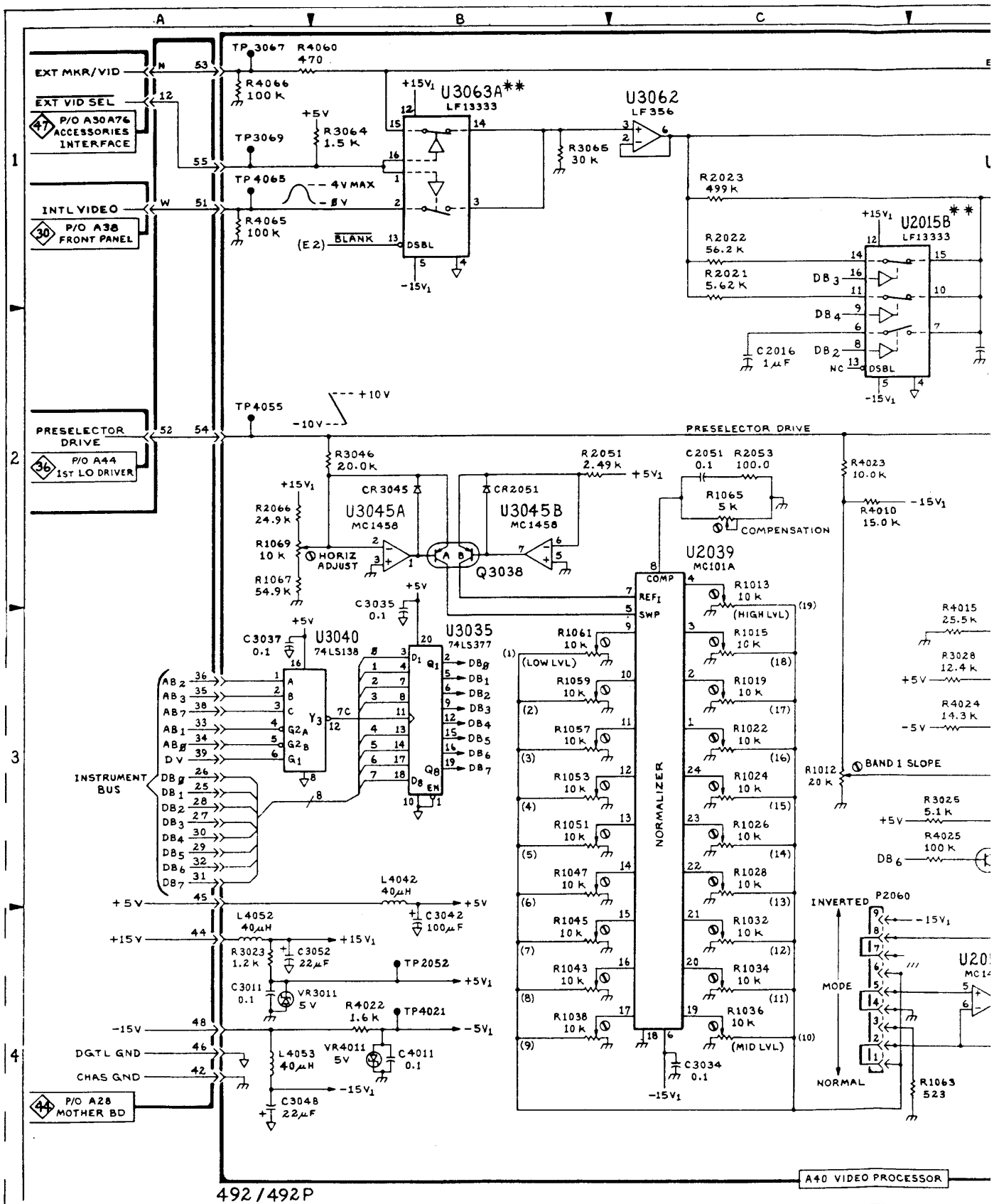
47

ACCESSORIES INTERFACE

Static Sensitive Devices
See Maintenance Section

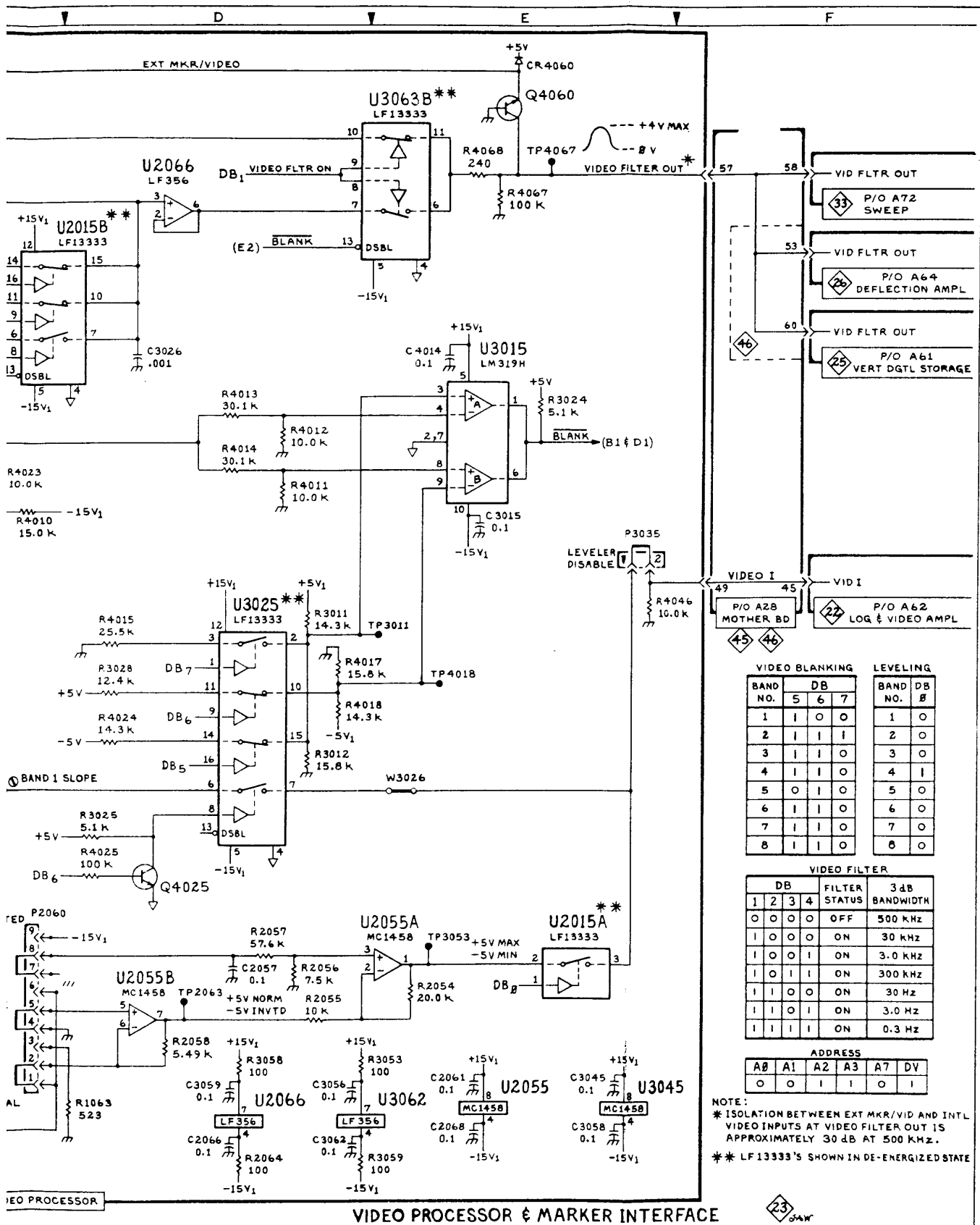
A30A76 ACCESSORIES INTERFACE BD

492/492P Ser. No. B853575 and Up



492 / 492 P

A40 VIDEO PROCESSOR



VIDEO BLANKING				LEVELING	
BAND NO.	5	6	7	BAND NO.	DB
1	1	0	0	1	0
2	1	1	1	2	0
3	1	1	0	3	0
4	1	1	0	4	1
5	0	1	0	5	0
6	1	1	0	6	0
7	1	1	0	7	0
8	1	1	0	8	0

VIDEO FILTER						
DB	1	2	3	4	FILTER STATUS	3 dB BANDWIDTH
0	0	0	0	0	OFF	500 KHZ
1	0	0	0	0	ON	30 KHZ
1	0	0	1	0	ON	3.0 KHZ
1	0	1	1	0	ON	300 KHZ
1	1	0	0	0	ON	30 HZ
1	1	0	1	0	ON	3.0 HZ
1	1	1	1	0	ON	0.3 HZ

ADDRESS						
A0	A1	A2	A3	A7	DV	
0	0	1	1	0	1	

NOTE:
 * ISOLATION BETWEEN EXT MKR/VID AND INTL VIDEO INPUTS AT VIDEO FILTER OUT IS APPROXIMATELY 30 dB AT 500 KHZ.
 ** LF1333'S SHOWN IN DE-ENERGIZED STATE

Date: 10-8-82 Change Reference: M46937

Product: see below Manual Part No.: see below

DESCRIPTION

EFF SN B042750 (492/492P) 070-3784-01

EFF SN B010470 (496/496P) 070-3482-00

EFF SN B610470 (492/6) 070-4233-00

ELECTRICAL PARTS LIST CHANGES

CHANGE TO

A68A2	670-5534-06	CKT BOARD ASSY:2ND FILTER SELECT
A68A2C4050	283-0899-00	CAP.,FXD CER D:160PF,1%,100V
A68A2C5054	283-0899-00	CAP.,FXD CER D:160PF,1%,100V
A69A3	670-5530-04	CKT BOARD ASSY:1ST FILTER SELECT
A69C3024	283-0899-00	CAP.,FXD CER D:160PF,1%,100V
A69C3038	283-0899-00	CAP.,FXD CER D:160PF,1%,100V

TEKTRONIX MANUALS CHANGE INFORMATION

Date: 6-20-83
Product: 492/492P SPECTRUM ANALYZER
Manual Part No.: 070-3784-01
Change Reference: M504B4

=====

DESCRIPTION

=====

EFF SN B043041

ELECTRICAL PARTS LIST CHANGES

REMOVE:

A11 119-1164-00 BIAS RETURN:
 (OPTION 01 & 08 ONLY)

TEKTRONIX MANUALS CHANGE INFORMATION

Date: 1-25-84
Product: 492/492P Manual Part No.: 070-3784-01
Change Reference: M50633 Product Group: 26

DESCRIPTION

=====

EFF SN B053646

ELECTRICAL PARTS LIST CHANGES

CHANGE TO:

AT10	119-1007-07	ATTENUATOR, VAR: 0-60DB IN 10DB STEPS
W137	175-9196-00	CABLE ASSY, RF: 50 OHM COAX W/D JKT, SEMI-RI (492/492P OPTION 01, 03 & 08 ONLY)
W236	175-9195-00	CABLE ASSY, RF: 50 OHM COAX, SEMI-RIGID

TEKTRONIX MANUALS CHANGE INFORMATION

Date: 6-14-83
Product: see below
Manual Part No.: see below
Change Reference: M50642

=====

DESCRIPTION

=====

EFF SN B043170 (492/492P) 070-3784-01
EFF SN B010650 (496/496P) 070-3482-00
EFF SN B610650 (492/6 & 492P/6) 070-4233-00

..c) ELECTRICAL PARTS LIST AND SCHEMATIC CHANGES

CHANGE TO:

A44R102B 321-0326-00 RES., FXD, FILM: 24.3K OHM, 1%, 0.125W (492/492P)
(TEST SELECTABLE) 36

A44R102B 321-0322-00 RES., FXD, FILM: 22.1K OHM, 1%, 0.125W (496/496P,
(TEST SELECTABLE) 492/6 & 492P/6

35

The above parts are located located on the A44 1ST LO DRIVER BD.

TEKTRONIX MANUALS CHANGE INFORMATION

Date: 6-6-83 Rev.
 Product: see below
 Manual Part No.: see below
 Change Reference: M51482

 DESCRIPTION

Revised 7-7-83

EFF SN B043350 (492/492P) 070-3784-01
 EFF SN B010700 (496/496P) 070-3482-00
 EFF SN B610700 (492/6 & 492P/6) 070-4233-00

ELECTRICAL PARTS LIST AND SCHEMATIC CHANGES

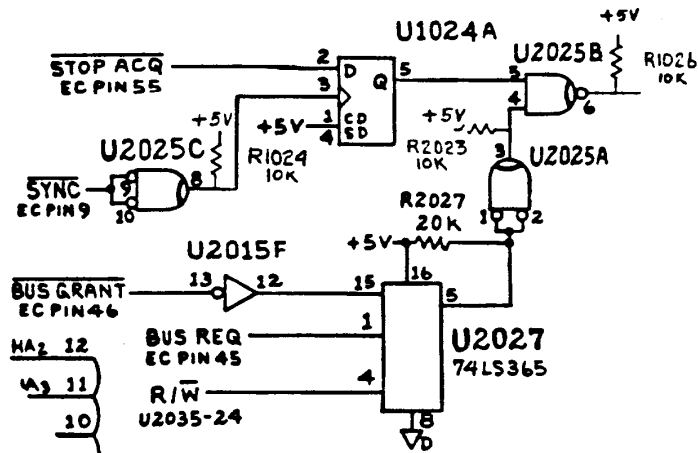
CHANGE TO:

A60 670-5555-03 CKT BOARD ASSY; DIGITAL STORAGE HORIZ
 (OPTION 02 ONLY)
 A60U2025 156-0384-02 MICROCIRCUIT, DI; QUAD 2 INP & GATE

ADD:

A60R1024 317-0103-00 RES., FXD, CMPSN: 10K OHM, 5%, 0.125W
 A60R1026 317-0103-00 RES., FXD, CMPSN: 10K OHM, 5%, 0.125W
 A60R2023 317-0103-00 RES., FXD, CMPSN: 10K OHM, 5%, 0.125W

The above added parts are located on the A60 HORIZONTAL DIGITAL STORAGE BD shown on diagrams, 492/492P, 496/496P, 492/6 & 492/6P partial -



TEKTRONIX MANUALS CHANGE INFORMATION

Date: 1-26-84
Product: 492/492P Manual Part No.: 070-3784-01
Change Reference: M51541 Product Group: 26

DESCRIPTION

EFF SN B053764

ELECTRICAL PARTS LIST AND SCHEMATIC CHANGES

CHANGE TO:

A68A1	670-5536-03	CKT BOARD ASSY: #2 VR MOTHER
A68A1R3020	321-0298-00	RES. , FXD, FILM: 12. 4K OHM, 1%, 0. 125W
A68A1R3021	321-0298-00	RES. , FXD, FILM: 12. 4K OHM, 1%, 0. 125W
A68A1R3023	321-0298-00	RES. , FXD, FILM: 12. 4K OHM, 1%, 0. 125W
A68A1R3025	321-0298-00	RES. , FXD, FILM: 12. 4K OHM, 1%, 0. 125W
A68A1R3027	321-0298-00	RES. , FXD, FILM: 12. 4K OHM, 1%, 0. 125W
A68A1R3031	321-0298-00	RES. , FXD, FILM: 12. 4K OHM, 1%, 0. 125W
A68A1R3033	321-0298-00	RES. , FXD, FILM: 12. 4K OHM, 1%, 0. 125W
A68A1R3036	321-0298-00	RES. , FXD, FILM: 12. 4K OHM, 1%, 0. 125W
A68A1R4026	321-0298-00	RES. , FXD, FILM: 12. 4K OHM, 1%, 0. 125W

The above parts are located on the A68A1 VARIABLE RESOLUTION MOTHER BOARD #2 and shown on VR #2

19

A68A3	670-5533-03	CKT BOARD ASSY: BAND LEVELING
A68A3R2024	321-0041-00	RES. , FXD, FILM: 26. 1 OHM, 1%, 0. 125W

The above part is located on the A68A3 VARIABLE RESOLUTION BAND LEVELING and shown on VR #2

19

TEKTRONIX MANUALS CHANGE INFORMATION

Date: 6-27-83
 Product: see below
 Manual Part No.: see below
 Change Reference: M51706

DESCRIPTION			
EFF SN B043380	492/492P	070-3784-01	21
EFF SN B010705	496/496P	070-3482-00	23
EFF SN B610705	492/6 & 492P/6	070-4233-00	23

ELECTRICAL PARTS LIST AND SCHEMATIC CHANGES

CHANGE TO:

A62	670-5548-03	CKT BOARD ASSY: DEFLECTION AMP
A62R1011*	321-0155-00	RES., FXD, FILM: 402 OHM, 1%, 0.125W
A62R1056	321-0079-00	RES., FXD, FILM: 64.9 OHM, 1%, 0.125W
A62R1060*	321-0325-00	RES., FXD, FILM: 23.7K OHM, 1%, 0.125W
A62R1076	321-0065-00	RES., FXD, FILM: 46.4 OHM, 0.5%, 0.125W
A62R1080*	321-0325-00	RES., FXD, FILM: 23.7K OHM, 1%, 0.125W
A62R1084	321-0325-00	RES., FXD, FILM: 23.7K OHM, 1%, 0.125W
A62R1086	321-0126-00	RES., FXD, FILM: 200 OHM, 1%, 0.125W
A62R1090*	321-0325-00	RES., FXD, FILM: 23.7K OHM, 1%, 0.125W
A62R2076	321-0253-00	RES., FXD, FILM: 4.22K OHM, 1%, 0.125W
A62R2078	321-0291-00	RES., FXD, FILM: 10.5K OHM, 1%, 0.125W
A62R3082	321-0294-00	RES., FXD, FILM: 11.3K OHM, 1%, 0.125W
A62R3102	321-0106-00	RES., FXD, FILM: 124 OHM, 1%, 0.125W
A62R3105	321-0089-00	RES., FXD, FILM: 82.5 OHM, 1%, 0.125W
A62R5015	321-0139-00	RES., FXD, FILM: 274 OHM, 1%, 0.125W
A62W1023*	131-0566-00	DUMMY RES.: 0.094 ODX0.225
A62W2013*	131-0566-00	DUMMY RES.: 0.094 ODX0.225

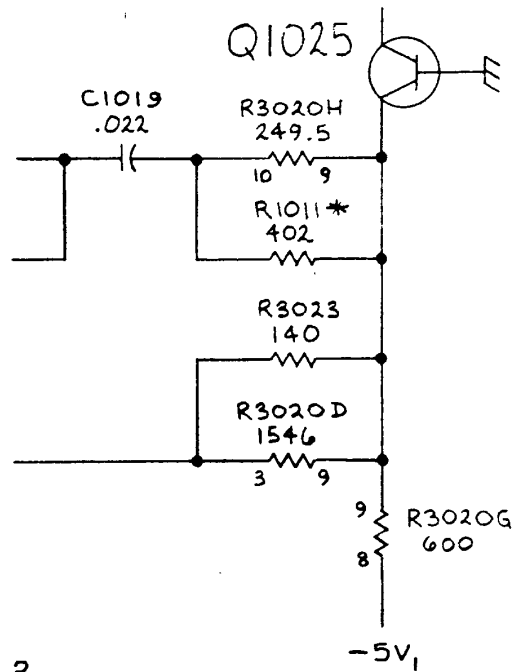
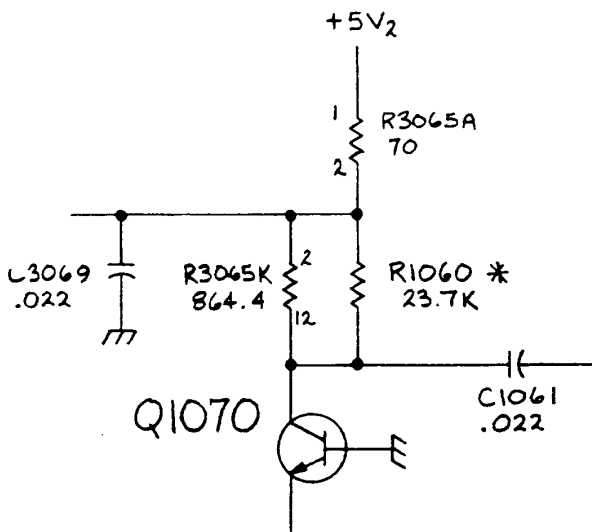
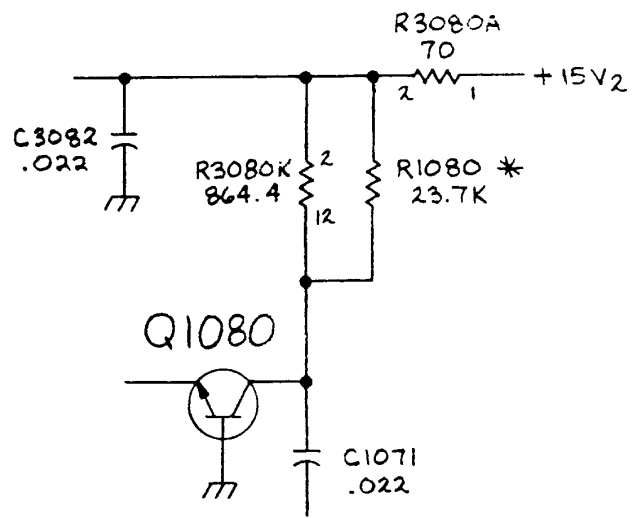
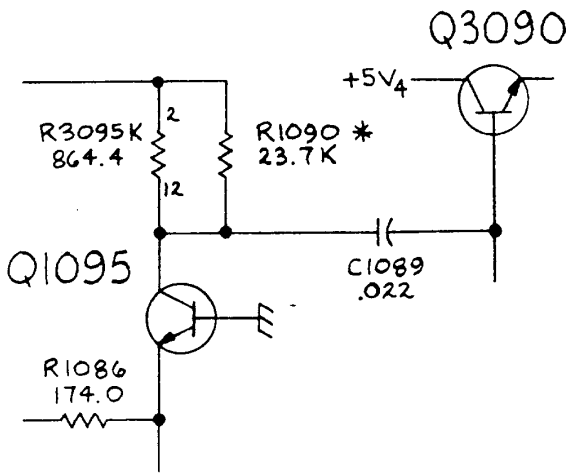
REMOVE:

A62R1023	321-0258-00	RES., FXD, FILM: 4.75K OHM, 1%, 0.125W
A62R2013	321-0226-00	RES., FXD, FILM: 2.21K OHM, 1%, 0.125W

R1011, R1060, R1080 and R1090 are mounted on the back of the board. The powersupply voltages on R5021 and R5022 have been reversed. R5022 now goes to +15V, R5021 goes to -15V.

The above parts are located on the P/O A62 LOG 7 VIDED AMPL BOARD and shown on the LOG AMPLIFIER AND DETECTOR diagram - Partial of changes included on following page:

*DENOTES ADDED PARTS



TEKTRONIX MANUALS CHANGE INFORMATION

Date: 1-10-83
Product: 492/492P Manual Part No.: 070-3784-01
Change Reference: M52874 Product Group: 26

DESCRIPTION

=====

EFF SN B053875

ELECTRICAL PARTS LIST AND SCHEMATIC CHANGES

CHANGE TO:

A50	119-1069-03	PHASE LOCK ASSY: SYNTHESIZER (492/492P OPTION 03 ONLY)
A50A1	670-5519-01	CKT BOARD ASSY: SYNTHESIZER (OPTION 03 ONLY)
A50A1R2044	315-0100-00	RES. , FXD, CMPSN: 10 OHM, 5%, 0.25W
A50A1R3040	315-0100-00	RES. , FXD, CMPSN: 10 OHM, 5%, 0.25W
A50A1R3043	315-0100-00	RES. , FXD, CMPSN: 10 OHM, 5%, 0.25W
A50A1R3050	315-0101-00	RES. , FXD, CMPSN: 100 OHM, 5%, 0.25W

The above parts are located on the P/D A50 PHASELOCK SYNTHESIZER board and shown on diagram ERROR AMPLIFIER & SYNTHESIZER



A51	670-5523-02	CKT BOARD ASSY: PHASE LOCK CONTROL (492/492P OPTION 03 ONLY)
A51R3011	315-0201-00	RES. , FXD, CMPSN: 200 OHM, 5%, 0.25W

The above part is located on the PHASE LOCK CONTROL BD A51 and shown on diagram PHASE LOCK CONTROL



TEKTRONIX MANUALS CHANGE INFORMATION

Date: 1-30-84
 Product: 492/492P Manual Part No.: 070-3784-01
 Change Reference: M52880 Product Group: 26

DESCRIPTION

=====

EFF SN B053995

ELECTRICAL PARTS LIST AND SCHEMATIC CHANGES

CHANGE TO:

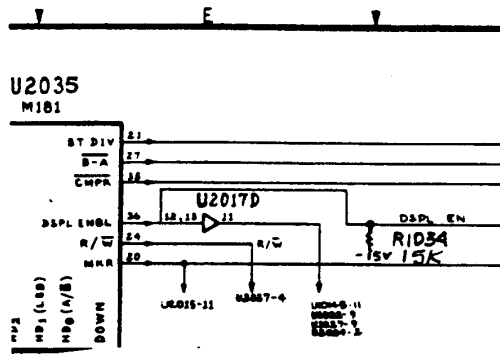
A60 670-5555-04 CKT BOARD ASSY: DIGITAL STORAGE INTFC
 (OPTION 02 ONLY)

ADD:

A60R1034 317-0153-00 RES., FXD, CMPSN: 15K OHM, 5%, 0.125W

The above added part is located on the A60 HORIZONTAL DIGITAL BD and shown on diagram DIGITAL STORAGE, HORIZ SN B043115 & UP)
 Partial -

25



TEKTRONIX MANUALS CHANGE INFORMATION

Date: 1-26-84
Product: 492/492P Manual Part No.: 070-3784-01
Change Reference: M53358 Product Group: 26

DESCRIPTION

=====

EFF SN B053990

ELECTRICAL PARTS LIST AND SCHEMATIC CHANGES

CHANGE TO:

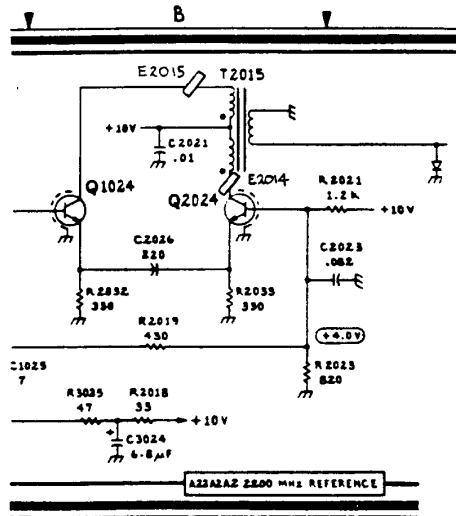
A22A2A2 670-7076-01 CIRCUIT BOARD ASSY: 2200 MHZ REFERENCE

ADD:

A22A2A2E2014 276-0543-00 SHLD BEAD, ELEK: FERRIT 0.11 OD X 0.05
 ID X 0.05
 A22A2A2E2015 276-0543-00 SHLD BEAD, ELEK: FERRIT 0.11 OD X 0.05
 ID X 0.05

The above added parts are located on A22A2A2 2200 MHz REFERENCE and shown on PHASELOCK 2nd LO (LO SECTION) SN B040000 & UP - Partial

38B



TEKTRONIX MANUALS CHANGE INFORMATION

Date: 5-10-84
 Product: see below Manual Part No.: see below
 Change Reference: M44544 Product Group: 26

DESCRIPTION

=====

EFF SN B042866	(492/492P)	070-3784-01
EFF SN B010650	(496/496P)	070-3482-00
EFF SN B610650	(492/6 & 492P/6)	070-4233-00

=====

42
14
14

ELECTRICAL PARTS LIST AND SCHEMATIC CHANGES

CHANGE TO:

A50A5	670-5524-02	CKT BOARD ASSY: CONTROLLED OSC (OPTION 03 ONLY)
A50A5Q2025	151-0712-00	TRANSISTOR: SILICON, PNP, SI
A50A5Q2026	151-0712-00	TRANSISTOR: SILICON, PNP, SI
A50A5Q2033	151-0712-00	TRANSISTOR: SILICON, PNP, SI
A50A5Q2041	151-0712-00	TRANSISTOR: SILICON, PNP, SI
A50A5R2025	315-0182-00	RES. , FXD, CMPSN: 1.8K, 5%, 0.25W
A50A5R2026	315-0182-00	RES. , FXD, CMPSN: 1.8K, 5%, 0.25W

The above parts are located on the A50A5 CONTROLLED OSCILLATOR board and shown on the diagrams listed above.

TEKTRONIX MANUALS CHANGE INFORMATION

Date: 6-14-83
Product: see below
Manual Part No.: see below
Change Reference: M50642

=====

DESCRIPTION

=====

EFF SN B043170 (492/492P) 070-3784-01
EFF SN B010650 (496/496P) 070-3482-00
EFF SN B610650 (492/6 & 492P/6) 070-4233-00

ELECTRICAL PARTS LIST AND SCHEMATIC CHANGES

CHANGE TO

A44R1028 321-0326-00 RES. , FXD, FILM: 24. 3K OHM, 1%, 0. 125W (492/492P)
(TEST SELECTABLE)



A44R1025 321-0322-00 RES. , FXD, FILM: 22. 1K OHM, 1%, 0. 125W (496/496P,
(TEST SELECTABLE) 492/6 & 492P/6



The above parts are located on the A44 1ST LO DRIVER BD.

DESCRIPTION

Component No.	Tektronix Part No.	Serial/Model No. Eff Dscont	Name & Description
A38S3046	263-0020-01		SWITCH,PB ASSY:MOMENTARY
A38S3047	263-0020-01		SWITCH,PB ASSY:MOMENTARY
A38S3048	263-0020-01		SWITCH,PB ASSY:MOMENTARY
A38S3052	263-0020-01		SWITCH,PB ASSY:MOMENTARY
A38S3053	263-0020-01		SWITCH,PB ASSY:MOMENTARY
A38S3055	263-0020-01		SWITCH,PB ASSY:MOMENTARY
A38S3122	263-0020-01		SWITCH,PB ASSY:MOMENTARY
A38S3123	263-0020-01		SWITCH,PB ASSY:MOMENTARY
A38S4046	263-0020-01		SWITCH,PB ASSY:MOMENTARY
A38S4052	263-0020-01		SWITCH,PB ASSY:MOMENTARY
A38S4122	263-0020-01		SWITCH,PB ASSY:MOMENTARY
A38S4123	263-0020-01		SWITCH,PB ASSY:MOMENTARY
A38S5050	263-0020-01		SWITCH,PB ASSY:MOMENTARY
A38S5120	263-0020-01		SWITCH,PB ASSY:MOMENTARY
A38S6052	263-0020-01		SWITCH,PB ASSY:MOMENTARY
A38S6062	263-0020-01		SWITCH,PB ASSY:MOMENTARY
A38U1024	156-0876-00		MICROCIRCUIT,DI:HEX SCMITT TRIGGER
A38U1049	156-0651-02		MICROCIRCUIT,DI:8 BIT PRL-OUT SER SHF RGTR
A38U2013	156-0388-03		MICROCIRCUIT,DI:DUAL D FLIP-FLOP
A38U2020	156-0385-02		MICROCIRCUIT,DI:HEX INVERTER
A38U3013	156-0388-03		MICROCIRCUIT,DI:DUAL D FLIP-FLOP
A38U3039	160-2357-00		MICROCIRCUIT,DI:8-BIT MICROCOMPUTER
A38U4014	156-0722-02		MICROCIRCUIT,DI:TPL 3-INPUT POS NAND GATE
A38U4021	156-1432-00		MICROCIRCUIT,DI:DUAL 2/4 LINE DECD/DEM
A38U4030	156-0956-02		MICROCIRCUIT,DI:DGTL OCTAL BFR
A38U5021	156-1432-00		MICROCIRCUIT,DI:DUAL 2/4 LINE DECD/DEM
A38U5045	156-0651-02		MICROCIRCUIT,DI:8 BIT PRL-OUT SER SHF RGTR
A38U6024	156-0469-02		MICROCIRCUIT,DI:3/8 LINE DCDR
A38U6028	156-0651-02		MICROCIRCUIT,DI:8 BIT PRL-OUT SER SHF RGTR
A38U6045	156-0651-02		MICROCIRCUIT,DI:8 BIT PRL-OUT SER SHF RGTR
A38U6081	156-0651-02		MICROCIRCUIT,DI:8 BIT PRL-OUT SER SHF RGTR
A38U6090	156-1161-00		MICROCIRCUIT,LI:VOLTAGE REGULATOR
A38Y3030	158-0185-00		XTAL UNIT,QTZ:6 MHZ,0.015%,PAR

The above parts are located on the A38 Front Panel board and shown on diagram

 FRONT PANEL

DESCRIPTION

EFF SN B054245

Product Group 26

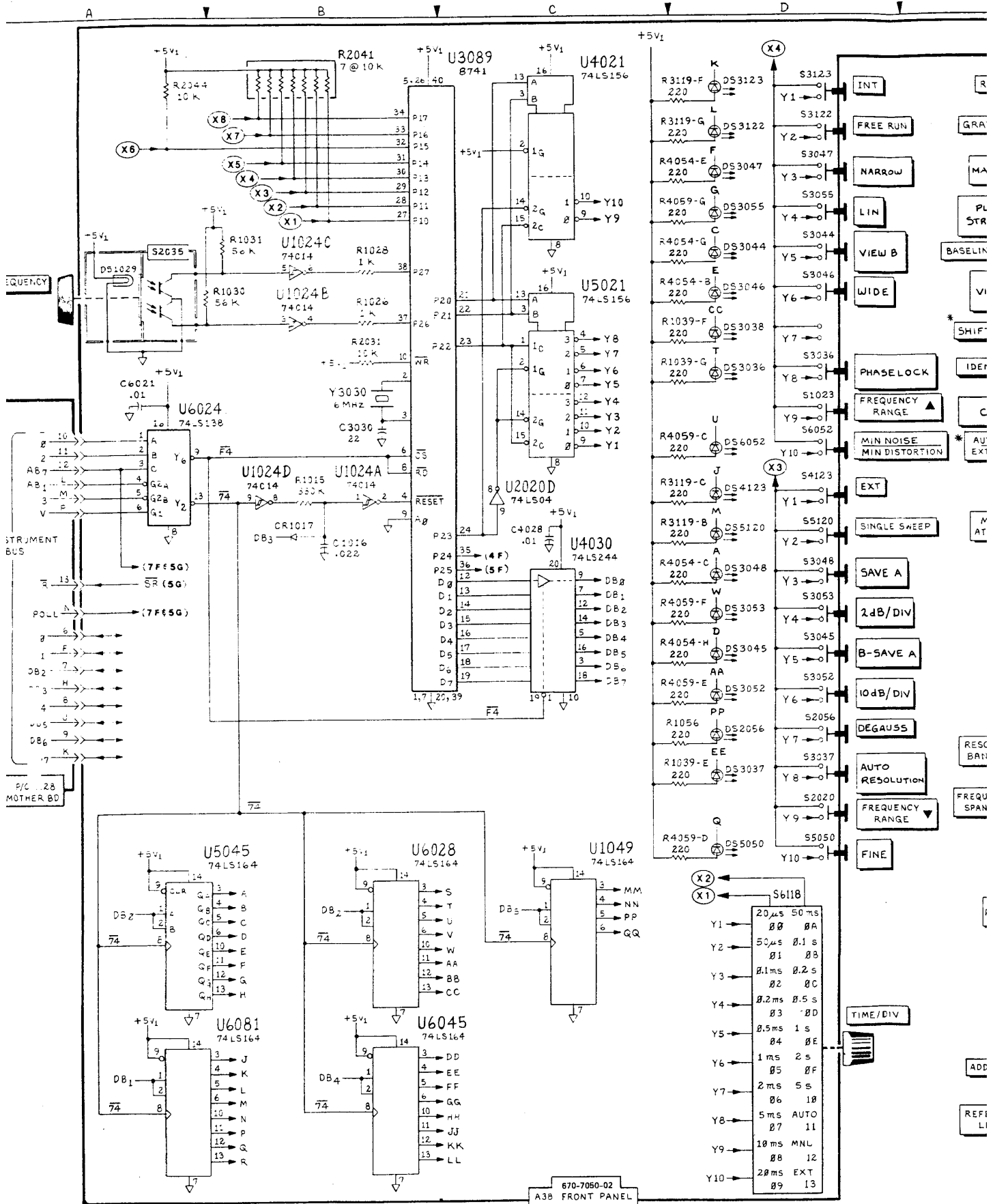
ELECTRICAL PARTS LIST AND SCHEMATIC CHANGES

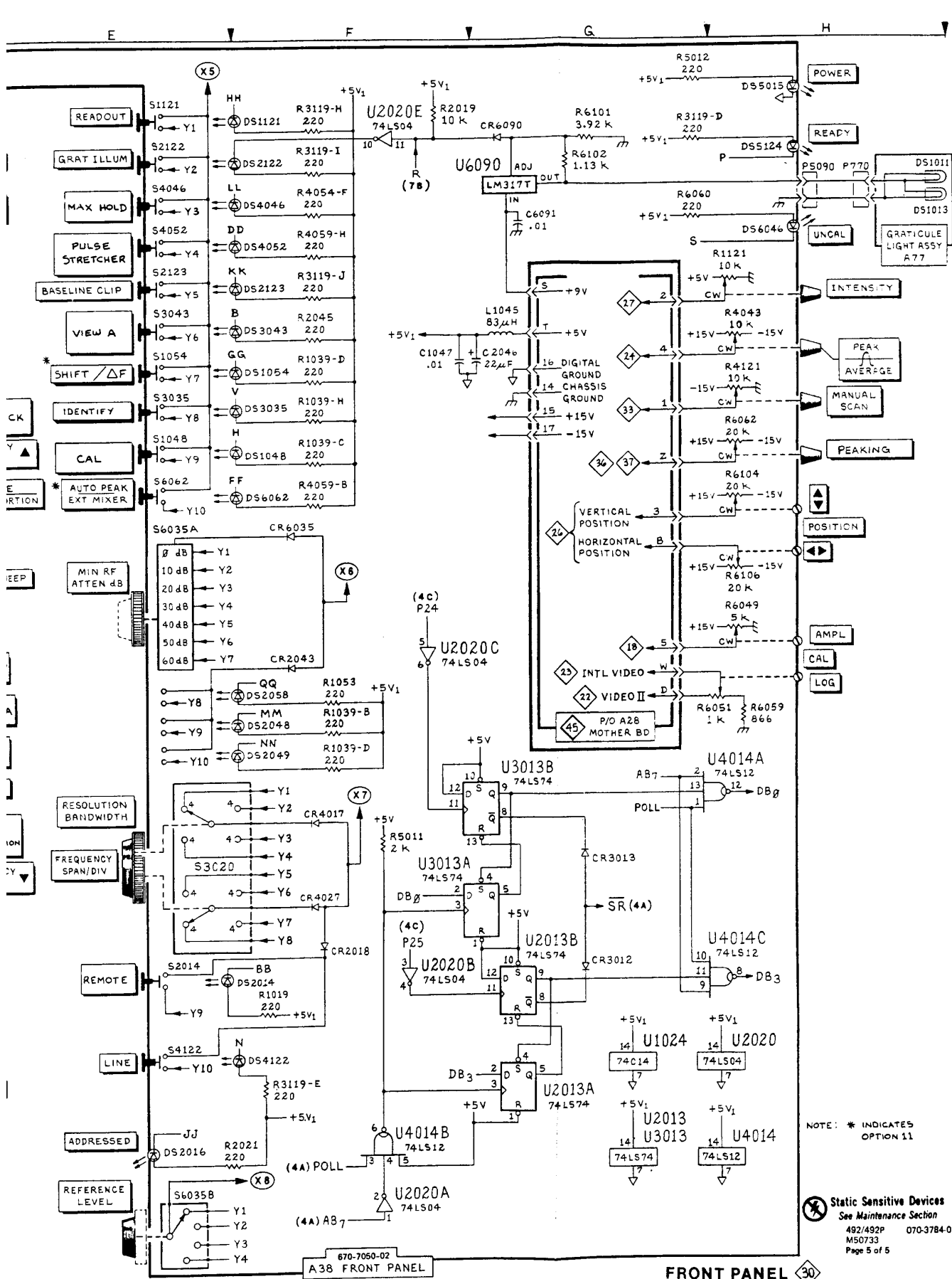
CHANGE TO:

Component No.	Tektronix Part No.	Serial/Model No. Eff Dscnt	Name & Description
A38	670-7050-02		CKT BOARD ASSY:FRONT PANEL
A38C1016	283-0239-00		CAP.,FXD,CER DI:0.022UF,10%,50V
A38C1047	283-0204-00		CAP.,FXD,CER DI:0.01UF,20%,50V
A38C2046	283-0776-00		CAP.,FXD,MICA D:22UF,+50-10%,10V
A38C3030	283-0154-00		CAP.,FXD,CER DI:22PF,5%,50V
A38C4028	283-0204-00		CAP.,FXD,CER DI:0.01UF,20%,50V
A38C6021	283-0204-00		CAP.,FXD,CER DI:0.01UF,20%,50V
A38C6091	283-0204-00		CAP.,FXD,CER DI:0.01UF,20%,50V
A38CR1017	152-0141-02		SEMICONV DEVICE:SILICON,30V,150MA
A38CR2018	152-0141-02		SEMICONV DEVICE:SILICON,30V,150MA
A38CR2043	152-0141-02		SEMICONV DEVICE:SILICON,30V,150MA
A38CR3012	152-0322-00		SEMICONV DEVICE:SILICON,15V,HOT CARRIER
A38CR3013	152-0322-00		SEMICONV DEVICE:SILICON,15V,HOT CARRIER
A38CR4017	152-0141-02		SEMICONV DEVICE:SILICON,30V,150MA
A38CR4027	152-0141-02		SEMICONV DEVICE:SILICON,30V,150MA
A38CR6035	152-0141-02		SEMICONV DEVICE:SILICON,30V,150MA
A38CR6090	152-0141-02		SEMICONV DEVICE:SILICON,30V,150MA
A38DS1048	150-1068-00		LT EMITTING DIO:RED
A38DS1054	150-1068-00		LT EMITTING DIO:RED
A38DS1121	150-1068-00		LT EMITTING DIO:RED
A38DS2014	150-1068-00		LT EMITTING DIO:RED
A38DS2016	150-1031-00		LT EMITTING DIO:RED,650NM,40MA MAX
A38DS2056	150-1068-00		LT EMITTING DIO:RED
A38DS2122	150-1068-00		LT EMITTING DIO:RED
A38DS2123	150-1068-00		LT EMITTING DIO:RED
A38DS3035	150-1068-00		LT EMITTING DIO:RED
A38DS3036	150-1068-00		LT EMITTING DIO:RED
A38DS3037	150-1068-00		LT EMITTING DIO:RED
A38DS3043	150-1068-00		LT EMITTING DIO:RED
A38DS3044	150-1068-00		LT EMITTING DIO:RED
A38DS3045	150-1068-00		LT EMITTING DIO:RED
A38DS3046	150-1068-00		LT EMITTING DIO:RED
A38DS3047	150-1068-00		LT EMITTING DIO:RED
A38DS3048	150-1068-00		LT EMITTING DIO:RED
A38DS3052	150-1068-00		LT EMITTING DIO:RED
A38DS3053	150-1068-00		LT EMITTING DIO:RED
A38DS3055	150-1068-00		LT EMITTING DIO:RED
A38DS3122	150-1068-00		LT EMITTING DIO:RED
A38DS3123	150-1068-00		LT EMITTING DIO:RED
A38DS4046	150-1068-00		LT EMITTING DIO:RED
A38DS4052	150-1068-00		LT EMITTING DIO:RED
A38DS4122	150-1068-00		LT EMITTING DIO:RED
A38DS4123	150-1068-00		LT EMITTING DIO:RED
A38DS5015	150-1029-00		LT EMITTING DIO:GREEN,565NM,35MA
A38DS5050	150-1068-00		LT EMITTING DIO:RED
A38DS5120	150-1068-00		LT EMITTING DIO:RED
A38DS5124	150-1031-00		LT EMITTING DIO:RED,650NM,40MA MAX
A38DS6046	150-1033-00		LT EMITTING DIO:YELLOW,585NM,40MA MAX
A38DS6052	150-1068-00		LT EMITTING DIO:RED
A38DS6062	150-1068-00		LT EMITTING DIO:RED

DESCRIPTION

Component No.	Tektronix Part No.	Serial/Model No. Eff Dscont	Name & Description
A38L1045	108-0742-00		COIL,RF:83UH,TOROIDAL
A38R1015	315-0334-00		RES.,FXD,CMPSN:330K OHM,5%,0.25W
A38R1019	315-0221-00		RES.,FXD,CMPSN:220 OHM,5%,0.25W
A38R1026	315-0102-00		RES.,FXD,CMPSN:1K OHM,5%,0.25W
A38R1028	315-0102-00		RES.,FXD,CMPSN:1K OHM,5%,0.25W
A38R1030	315-0563-00		RES.,FXD,CMPSN:56K OHM,5%,0.25W
A38R1031	315-0563-00		RES.,FXD,CMPSN:56K OHM,5%,0.25W
A38R1039	307-0594-00		RES NTWK,FXD FI:7,220 OHM,2%,1.0W
A38R1053	315-0221-00		RES.,FXD,CMPSN:220 OHM,5%,0.25W
A38R1055	315-0221-00		RES.,FXD,CMPSN:220 OHM,5%,0.25W
A38R1056	315-0221-00		RES.,FXD,CMPSN:220 OHM,5%,0.25W
A38R1121	311-2051-00		RES.,VAR,NONWIR:10K OHM,20%,0.5W
A38R2019	315-0103-00		RES.,FXD,CMPSN:10K OHM,5%,0.25W
A38R2021	315-0221-00		RES.,FXD,CMPSN:220 OHM,5%,0.25W
A38R2031	315-0103-00		RES.,FXD,CMPSN:10K OHM,5%,0.25W
A38R2041	307-0696-00		RES NTWK,FXD,FI:7,10K OHM,2%,0.15W
A38R2044	315-0103-00		RES.,FXD,CMPSN:10K OHM,5%,0.25W
A38R2045	315-0221-00		RES.,FXD,CMPSN:220 OHM,5%,0.25W
A38R3119	307-0592-00		RES,NTWK,FXD FI:9,220 OHM,2%,2W
A38R4043	311-2051-00		RES.,VAR,NONWIR:10K OHM,20%,0.5W
A38R4054	307-0594-00		RES NTWK,FXD FI:7,220 OHM,2%,1.0W
A38R4059	307-0594-00		RES NTWK,FXD FI:7,220 OHM,2%,1.0W
A38R4121	311-2051-00		RES.,VAR,NONWIR:10K OHM,20%,0.5W
A38R5011	315-0202-00		RES.,FXD,CMPSN:2K OHM,5%,0.25W
A38R5012	315-0221-00		RES.,FXD,CMPSN:220 OHM,5%,0.25W
A38R6049	311-2049-00		RES.,VAR,NONWIR:5K OHM,20%,0.5W
A38R6051	311-2050-00		RES.,VAR,NONWIR:1K OHM,20%,0.5W
A38R6059	321-0187-00		RES.,FXD,FILM:866 OHM,1%,0.125W
A38R6060	315-0221-00		RES.,FXD,CMPSN:220 OHM,5%,0.25W
A38R6062	311-2054-00		RES.,VAR,NONWIR:20K OHM,20%,0.5W
A38R6101	321-0250-00		RES.,FXD,FILM:3.92K OHM,1%,0.125W
A38R6102	321-0198-00		RES.,FXD,FILM:1.13K OHM,1%,0.125W
A38R6104	311-2052-00		RES.,VAR,NONWIR:20K OHM,20%,0.5W
A38R6106	311-2052-00		RES.,VAR,NONWIR:20K OHM,20%,0.5W
A38S1023	263-0020-02		SWITCH,PB ASSY:MOMENTARY
A38S1048	263-0020-01		SWITCH,PB ASSY:MOMENTARY
A38S1054	263-0020-01		SWITCH,PB ASSY:MOMENTARY
A38S1121	263-0020-01		SWITCH,PB ASSY:MOMENTARY
A38S2014	263-0020-01		SWITCH,PB ASSY:MOMENTARY
A38S2020	263-0020-02		SWITCH,PB ASSY:MOMENTARY
A38S2035	263-0054-01		SWITCH,ROTARY:OPTICAL
A38S2056	263-0020-01		SWITCH,PB ASSY:MOMENTARY
A38S2122	263-0020-01		SWITCH,PB ASSY:MOMENTARY
A38S2123	263-0020-01		SWITCH,PB ASSY:MOMENTARY
A38S3035	263-0020-01		SWITCH,PB ASSY:MOMENTARY
A38S3036	263-0020-01		SWITCH,PB ASSY:MOMENTARY
A38S3037	263-0020-01		SWITCH,PB ASSY:MOMENTARY
A38S3043	263-0020-01		SWITCH,PB ASSY:MOMENTARY
A38S3044	263-0020-01		SWITCH,PB ASSY:MOMENTARY
A38S3045	263-0020-01		SWITCH,PB ASSY:MOMENTARY





NOTE: * INDICATES OPTION 11

Static Sensitive Devices
 See Maintenance Section
 492/492P 070-3784-01
 M50733
 Page 5 of 5

FRONT PANEL 30



MANUAL CHANGE INFORMATION

Date: 5-2-84 Change Reference: C101/584

Product: 492/492P Service Vol. 2 Manual Part No.: 070-3784-01

DESCRIPTION

Product Group 26

PARTS LIST AND SCHEMATIC ADDITIONS

Parts Lists for Option 42 instruments:

ELECTRICAL PARTS

492/492P OPT 42

A19	119-1845-00	OSILLOSCOPE ASSY:110 MHZ	80009	119-1845-00
A30	621-0010-00	POWER SUPPLY:(492 OPTION 42 ONLY)	80009	621-0010-00
A30	621-0009-00	POWER SUPPLY:(492P OPTION 42 ONLY)	80009	621-0009-00
A30A1	670-8650-00	CKT BOARD ASSY:110 MHZ IF OUT	80009	670-8650-00
A19	119-1845-00	OSILLOSCOPE ASSY:110 MHZ	80009	119-1845-00
A19C190	281-0825-00	CAP,FXD,CER DI:0.005UF,+100-0%,100V	T1394	1289-007
A30	621-0010-00	POWER SUPPLY:(492 ONLY)	80009	621-0006-00
A30	621-0009-00	POWER SUPPLY:(492P ONLY)	80009	621-0007-00
A30CR01	152-0141-00	SEMICOND DVC,DI:SW,SI,30V,150MA	02195	IN4152R
A30R01	315-0471-00	RES,FXD,COMPSN:470 OHM,5%,0.25W	01121	CB4715
A30W192	175-9621-00	CABLE ASSY,RF:50 OHM COAX,23.5 L		

CHASSIS PARTS

FL11	119-1752-00	FLTR CA ASSY RF:50 OHM COAX,7.12L	80009	119-1752-00
FL15	119-1753-00	FLTR CA ASSY RF:50 OHM COAX,7.14L	80009	119-1753-00
W190	175-2415-00	CABLE ASSY,RF:50 OHM COAX,7.0L	80009	175-2415-00
W191	175-2415-00	CABLE ASSY,RF:50 OHM COAX,7.0L	80009	175-2415-00
W1021	175-9618-00	CABLE ASSY,RF:50 OHM COAX,11.0 L,9-5		

DESCRIPTION

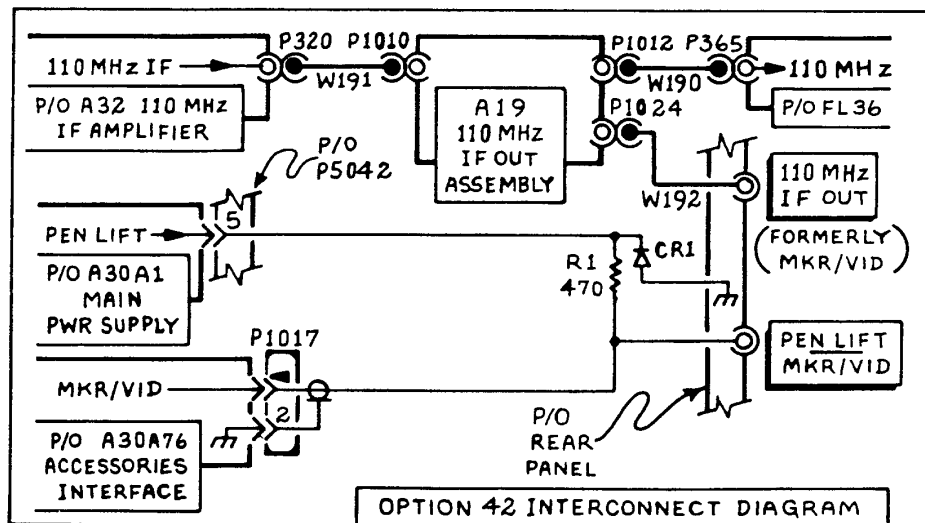
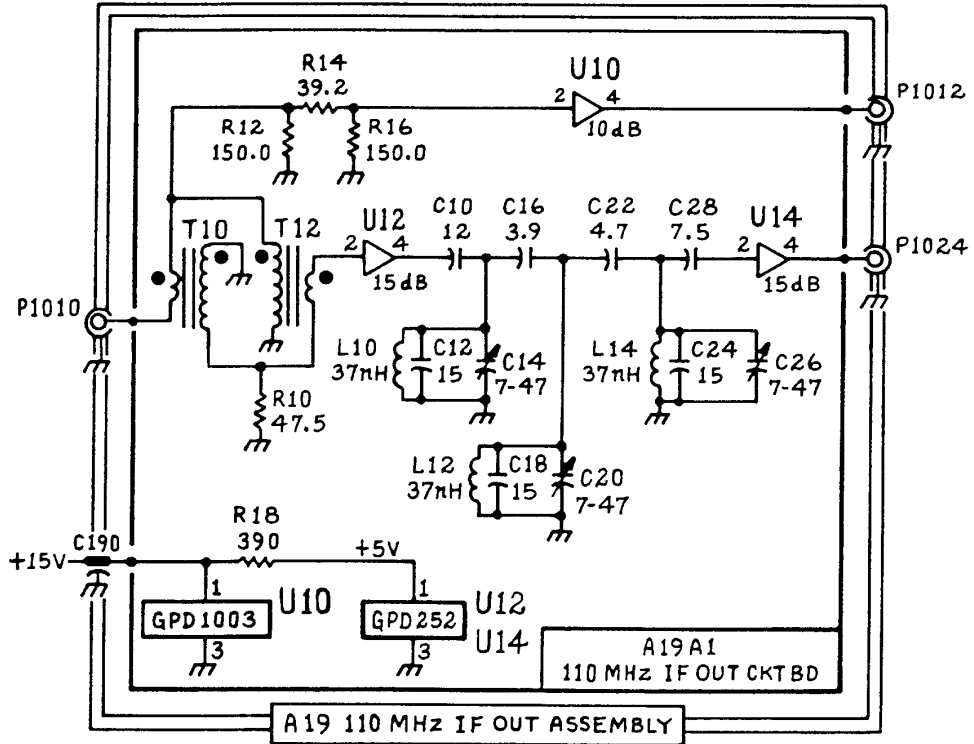
492/492P OPTION 42

MECHANICAL PARTS

-----	- OSCILLOSCOPE ASSY:110MHZ(SEE A19 REPL)		
200-3041-00	1 .COVER,HOUSING:CKT BOARD,MACHINED SHEET	80009	200-3041-00
380-0737-00	1 .HOUSING,CKT BD:MACHINED ALUMINUM CAVITY		
	.***** (ATTACHING PARTS)*****		
213-0202-00	2 .SCREW,MACHINE:2-56 X 0.625,FLH 100 DEG	83385	ORD BY DESCR
211-0001-00	3 .SCREW MACHINE:2-56 X 0.250,PMH,STL,CD		
211-0030-00	1 .SCREW MACHINE:2-56 X 0.250,FLH,82 DEG		
	.***** (END ATTACHING PARTS)*****		
-----	1 .CKT BOARD ASSY:110MHZ IF OUT		
-----	- .(SEE A19A1 REPL)		
	.***** (ATTACHING PARTS)*****		
211-0168-00	2 .SCREW MACHINE:4-40 X 0.250,PMH,BRS		
	.***** (END ATTACHING PARTS)*****		
-----	1 .CAP,FXD,CER DI:0.005UF,+100-0%,100V		
-----	- .(SEE A19C190 REPL)		
	.***** (ATTACHING PARTS)*****		
210-0055-00	1 .WASHER,LOCK:#6 SPLIT,0.031 THK,STL CD P		
210-0407-00	1 .NUT,PLAIN,HEX:6-32 X 0.25,BRS CD PL	73743	3038-0228-402
	.***** (END ATTACHING PARTS)*****		
-----	2 CABLE ASSY,RF:50 OHM COAX,7.0L		
-----	- .(SEE P190,P191 REPL)		
-----	1 POWER SUPPLY:(SEE A30 REPL)		
333-3152-00	1 .PANEL,REAR:		
210-0255-00	1 .THERMINAL,LUG:0.391 ID,LOCKING,BRS CD PL	80009	210-0255-00
-----	1 .CABLE ASSY,RF:50 OHM COAX,16.0L,SEMI-RGD		
-----	- .(SEE A30W192 REPL)		
343-0013-00	1 CLAMP,LOOP:0.375 ID,PLASTIC	95987	3-8-68
	.***** (ATTACHING PARTS)*****		
210-0863-00	1 WASHER,LOOP CLAMP:	95087	C191
210-0458-00	1 NUT,PL,ASSEM WA:8-32 X 0.344,STL CD PL	78189	511-081800-00
	.***** (END ATTACHING PARTS)*****		
343-0144-00	1 CLAMP LOOP:0.125 ID,NYLON	95087	1-8-2
361-0917-00	2 SPACER SLEEVE:0.25 L X 0.141 ID,ALUMINUM	80009	361-0917-00
	.***** (ATTACHING PARTS)*****		
211-0016-00	2 SCREW,MACHINE:4-40 X 0.625,PMH,STL,CD PL		
	.***** (END ATTACHING PARTS)*****		
-----	1 CABLE ASSY,RF:50OHM COAX,11.0 L,9-5		
-----	- .(SEE W1021 REPL)		

DESCRIPTION

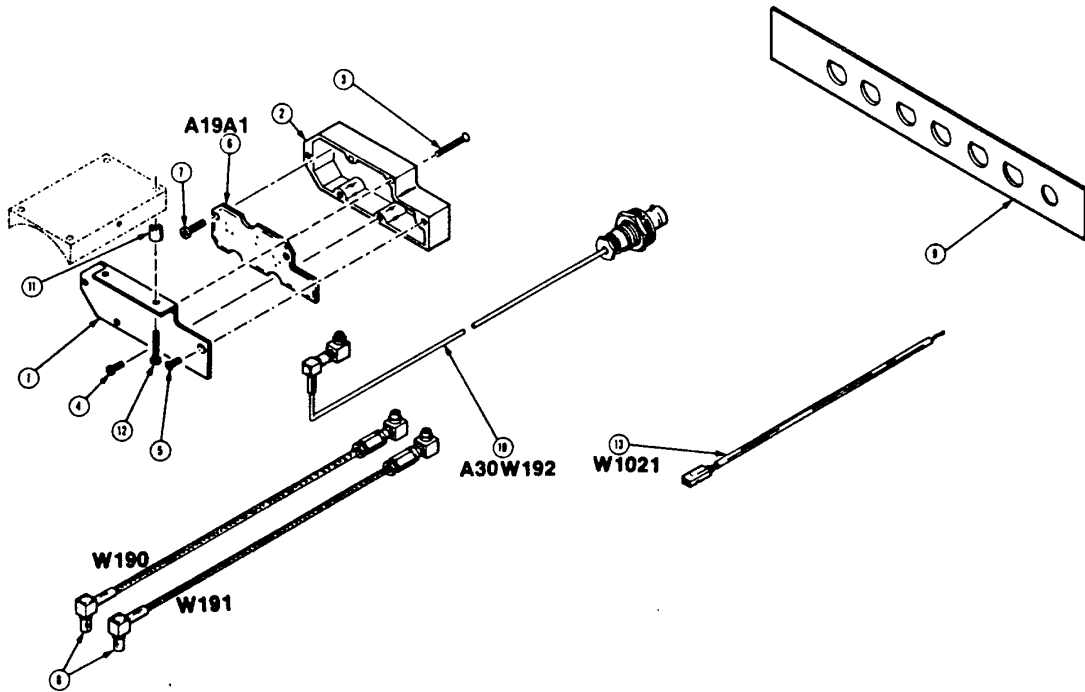
ADD the schematic below to the back of diagram 15



JAW

DESCRIPTION

ADD the exploded view below to new tabbed page, FIG. 14 OPTION 42, after FIG. 13 OPTION 30, 31, 32.



TEKTRONIX MANUAL CHANGE NOTICE

Date: 5-4-84
Product: 492/492P Ser 2 Part No.: 070-3784-01
Change Ref: M50468 Product Group: 26

DESCRIPTION

EFF SN B053846

ELECTRICAL PARTS LIST CHANGES

CHANGE TO:

A16 119-0752-02 OSCILLATOR: 2.0 to 6.1 GHZ, W/CAN & CKT

TEKTRONIX MANUAL CHANGE NOTICE

Date: 5-4-84
Product: 492/492P Manual Part No.: 070-3784-01
Change Ref: M52574 Product Group: 26

DESCRIPTION

EFF SN B053785

ELECTRICAL PARTS LIST AND SCHEMATIC CHANGES

CHANGE TO:

A12	119-1017-01	FIRST CONV ASSY:
A12A1	155-0189-02	MICROCIRCUIT, LI: DUAL DIODE W/HOUSING

TEKTRONIX MANUALS CHANGE INFORMATION

Date: 5-7-84
Product: 492/492P Manual Part No.: 070-3784-01
Change Reference: M46934 Product Group No: 26

=====

DESCRIPTION

=====

EFF SN B053799

ELECTRICAL PARTS LIST CHANGES

CHANGE TO:

A23	119-1131-03	SEC CON ASSY: 829MHZ
A23A4	670-6256-01	CKT BOARD ASSY: 829MHZ DIPLEXER
A23A4L1012	108-0642-00	COIL, RF: FIXED, 45NH
A23A4L1015	108-0642-00	COIL, RF: FIXED, 45NH

TEKTRONIX MANUAL CHANGE NOTICE

Date: 5-8-84
 Product: 492/492P Ser 1 Part No.: 070-3784-01
 Change Ref: M54537 Product Group: 26

DESCRIPTION

EFF SN B054334

ELECTRICAL PARTS LIST AND SCHEMATIC CHANGES

CHANGE TO:

A50	119-1069-04	PHASE LOCK ASSY: SYNTHESIZER (492P OPTION 03 ONLY)
A50A4	670-5521-06	CKT BOARD ASSY: ERROR AMPLIFIER (492P OPTION 03 ONLY)

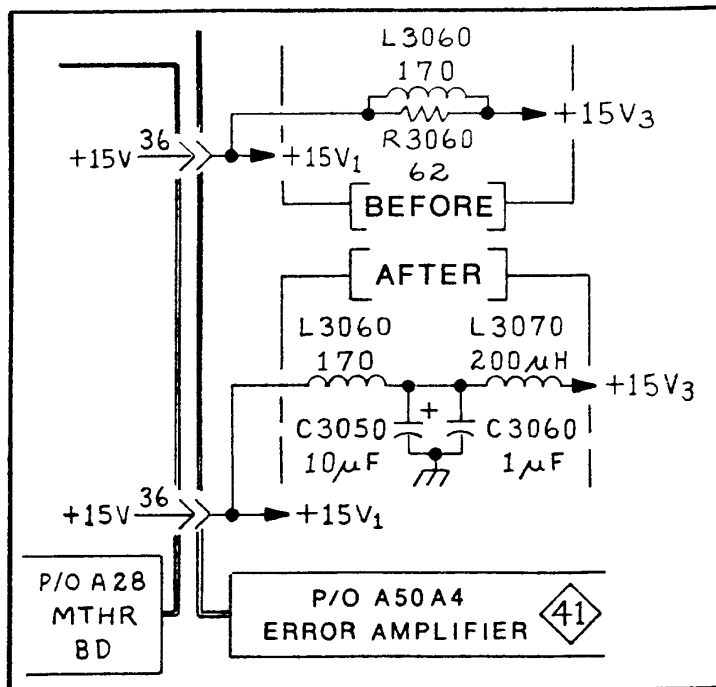
REMOVE:

A50A4R3060	315-0620-00	RES., FXD, CMPSN: 62 OHM, 1%, 0.125W
------------	-------------	--------------------------------------

ADD:

A50A4C3050	290-0804-00	CAP., FXD, ELCTLT: 10UF, +50-10%, 25V
A50A4C3060	283-0177-00	CAP., FXD, CER DI: 1UF, +80-20%, 25V
A50A4L3070	120-0382-00	XFMR, TOROID: 202UH, 14 TURNS SINGLE

The above added parts are located on the A50A4 ERROR AMPLIFIER and shown on diagram 41 ERROR AMPLIFIER AND SYNTHESIZER



TEKTRONIX MANUAL CHANGE NOTICE

Date: 5-21-84
 Product: see below Part No.: see below
 Ref. No: M49754 Product Group: 26

DESCRIPTION

EFF SN	B054414	492/492P	070-3784-01	13	
	B020904	496/496P	070-3482-00		11
	B010225	494/494P	070-4417-01	36	
	B620904	492-6	070-4233-00		11

ELECTRICAL PARTS LIST AND SCHEMATIC CHANGES

CHANGE TO:

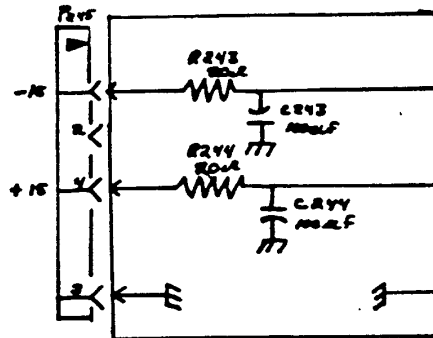
A24	119-1010-02	PHASE GATE DETECTOR HYBRID CKT ASSY (OPTION 03 492/492P ONLY)
A24	119-1010-02	PHASE GATE DETECTOR HYBRID CKT ASSY (492/492P Opt 06, 494/494P & 496/496P)
A24A1	670-5957-01	CKT BD ASSY: HARMONIC MIXER (OPTION 03 492/492P ONLY)
A24A1	670-5957-01	CKT BD ASSY: HARMONIC MIXER (492/492P Opt 06, 494/494P & 496/496P)
A24A1C243	290-0747-00	CAP., FXD, ELECT: 100UF, +50-10%, 25V
A24A1C244	290-0747-00	CAP., FXD, ELECT: 100UF, +50-10%, 25V

REMOVE:

A24A1CR243	152-0664-00	SEMICOND DEVICE: SWITCHING, SI, 70V
A24A1CR244	152-0664-00	SEMICOND DEVICE: SWITCHING, SI, 70V

ADD:

A24A1R243	315-0200-00	RES., FXD, CMPSN: 20 OHM, 5%, 0.25W
A24A1R244	315-0200-00	RES., FXD, CMPSN: 20 OHM, 5%, 0.25W



A24 A1
 Phase Gate Input
 BD (1)

The above parts are located on the A24A1 PHASE GATE INPUT BD (1)

CHANGE TO:

A25	119-1640-01	HARMONIC MIXER (494/494P ONLY)
A25A3	670-4376-01	CKT BD ASSY: HARMONIC MIXER (494/494P ONLY)